

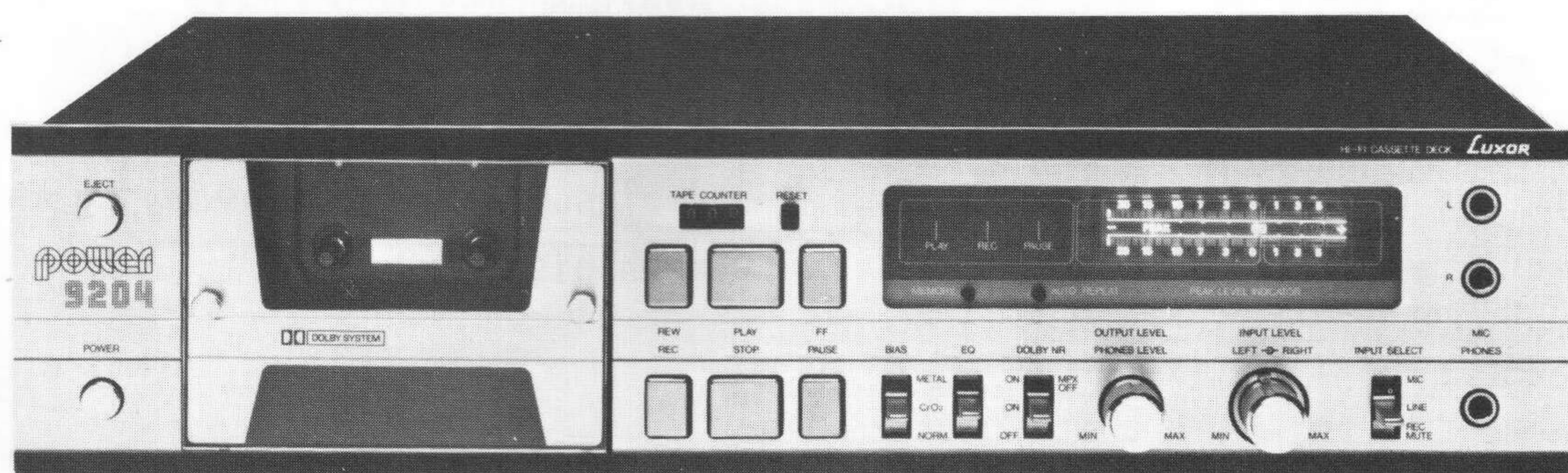
SERVICE MANUAL

SKANTIC

LUXOR

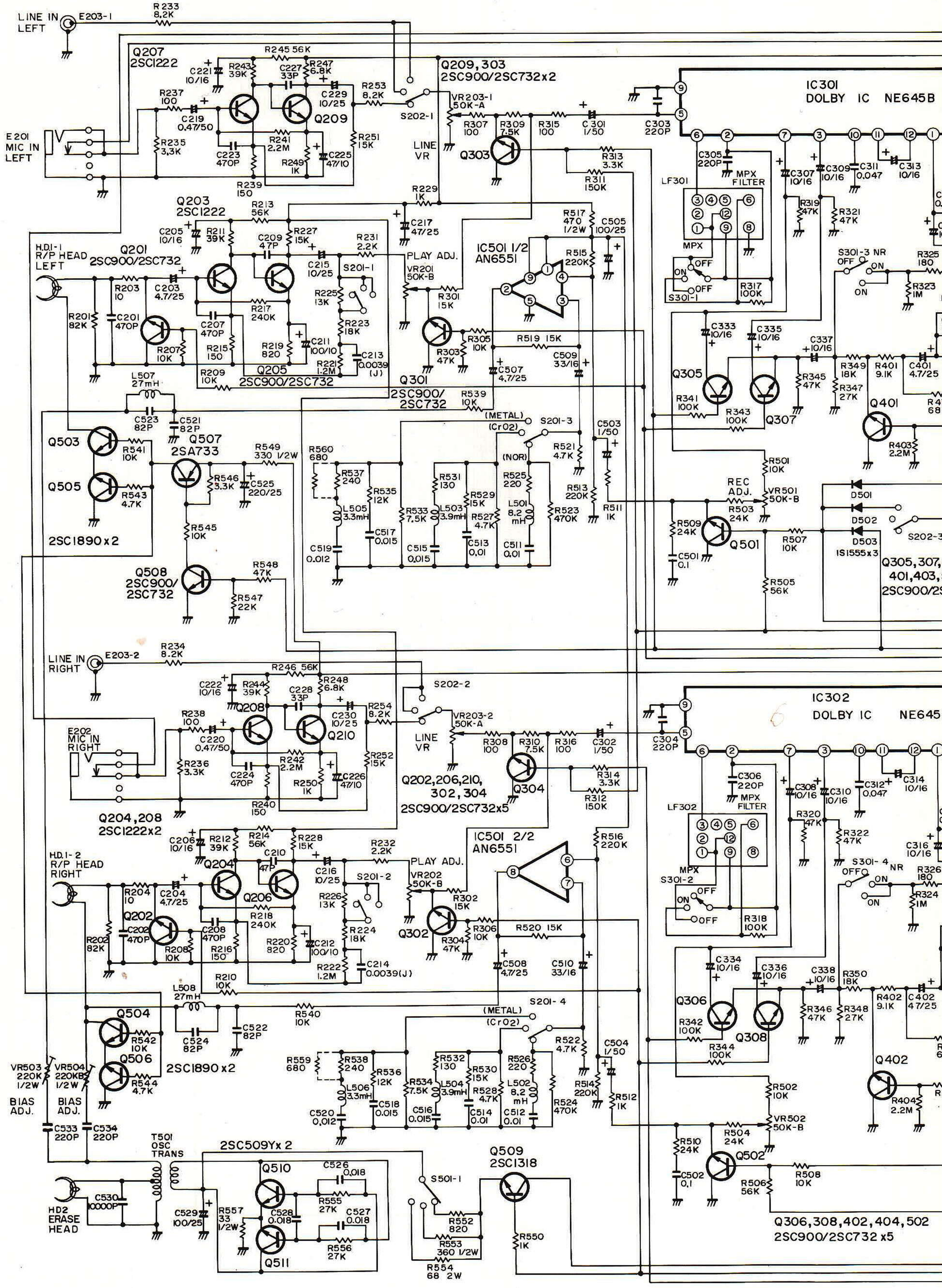
8101

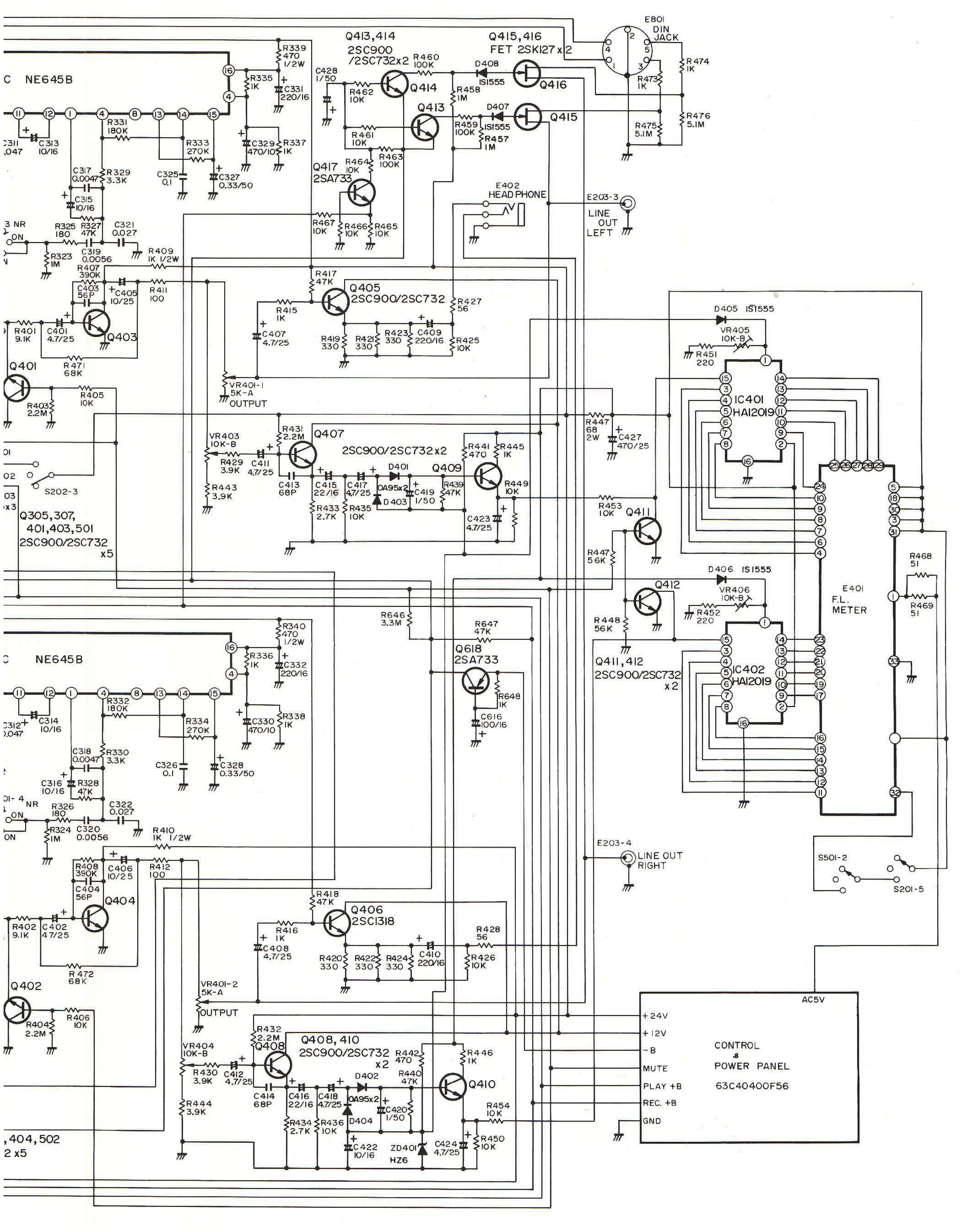
TYPE 120 9204



DATA

Frekvensområde Frequency range	Standard	20 - 15 000 Hz
	CrO ₂	20 - 16 000 Hz
	Metal	20 - 18 000 Hz
Dynamik (DIN) Dynamics	Standard	64 dB
	CrO ₂	64 dB
	Metal	65 dB
Svaj Wow and flutter	DIN	± 0,15 %
	VRMS	± 0,06 %
Ingångar Inputs	DIN	0.7 mV/3,3 kΩ
	Line	80 mV/50 kΩ
	Mic	0,7 mV/3,3 kΩ
Utgångar Outputs	Amp	1.600 mV/ 1 kΩ
	Phones jack	6,3 mm





C NE645B

C NE645B

,404,502
2 x5

Q413,414
2SC900
/2SC732x2

Q415,416
FET 2SK127 x2

Q405
2SC900/2SC732

Q407
2SC900/2SC732x2

Q406
2SC1318

Q408,410
2SC900/2SC732
x2

D405 IS1555
VR405
10K-B

D406 IS1555
VR406
10K-B

CONTROL
POWER PANEL
63C40400F56

E401
F.L.
METER

E203-3
LINE
OUT
LEFT

E203-4
LINE
OUT
RIGHT

E801
DIN
JACK

E402
HEADPHONE

S501-2

S201-5

AC5V

+24V
+12V
-B
MUTE
PLAY +B
REC. +B
GND

3 NR
ON
V
DI
NR
ON
ON
DI-4
NR
ON
ON

R331 180K
R333 270K
R337 470/10
R339 470 1/2W
R335 1K
R329 3.3K
R327 47K
R323 180
R325 0.1
R321 0.027
R319 0.0056
R317 390K
R315 10/16
R313 10/16
R311 10/16
R309 10/16
R307 47K
R305 10/16
R303 10/16
R301 9.1K
R299 2.2M
R297 10K
R295 10K
R293 10K
R291 10K
R289 10K
R287 10K
R285 10K
R283 10K
R281 10K
R279 10K
R277 10K
R275 10K
R273 10K
R271 10K
R269 10K
R267 10K
R265 10K
R263 10K
R261 10K
R259 10K
R257 10K
R255 10K
R253 10K
R251 10K
R249 10K
R247 10K
R245 10K
R243 10K
R241 10K
R239 10K
R237 10K
R235 10K
R233 10K
R231 10K
R229 10K
R227 10K
R225 10K
R223 10K
R221 10K
R219 10K
R217 10K
R215 10K
R213 10K
R211 10K
R209 10K
R207 10K
R205 10K
R203 10K
R201 10K
R199 10K
R197 10K
R195 10K
R193 10K
R191 10K
R189 10K
R187 10K
R185 10K
R183 10K
R181 10K
R179 10K
R177 10K
R175 10K
R173 10K
R171 10K
R169 10K
R167 10K
R165 10K
R163 10K
R161 10K
R159 10K
R157 10K
R155 10K
R153 10K
R151 10K
R149 10K
R147 10K
R145 10K
R143 10K
R141 10K
R139 10K
R137 10K
R135 10K
R133 10K
R131 10K
R129 10K
R127 10K
R125 10K
R123 10K
R121 10K
R119 10K
R117 10K
R115 10K
R113 10K
R111 10K
R109 10K
R107 10K
R105 10K
R103 10K
R101 10K
R99 10K
R97 10K
R95 10K
R93 10K
R91 10K
R89 10K
R87 10K
R85 10K
R83 10K
R81 10K
R79 10K
R77 10K
R75 10K
R73 10K
R71 10K
R69 10K
R67 10K
R65 10K
R63 10K
R61 10K
R59 10K
R57 10K
R55 10K
R53 10K
R51 10K
R49 10K
R47 10K
R45 10K
R43 10K
R41 10K
R39 10K
R37 10K
R35 10K
R33 10K
R31 10K
R29 10K
R27 10K
R25 10K
R23 10K
R21 10K
R19 10K
R17 10K
R15 10K
R13 10K
R11 10K
R9 10K
R7 10K
R5 10K
R3 10K
R1 10K

C311 0.047
C313 10/16
C315 10/16
C317 0.0047
C319 0.0056
C321 0.027
C323 10/16
C325 0.1
C327 0.33/50
C329 470/10
C331 220/16
C333 270K
C335 1K
C337 470/10
C339 470 1/2W
C341 10/16
C343 10/16
C345 10/16
C347 10/16
C349 10/16
C351 10/16
C353 10/16
C355 10/16
C357 10/16
C359 10/16
C361 10/16
C363 10/16
C365 10/16
C367 10/16
C369 10/16
C371 10/16
C373 10/16
C375 10/16
C377 10/16
C379 10/16
C381 10/16
C383 10/16
C385 10/16
C387 10/16
C389 10/16
C391 10/16
C393 10/16
C395 10/16
C397 10/16
C399 10/16
C401 4.7/25
C403 56P
C405 10/25
C407 4.7/25
C409 220/16
C411 4.7/25
C413 68P
C415 22/16
C417 4.7/25
C419 47K
C421 2.7K
C423 4.7/25
C425 10K
C427 470/25
C429 10K
C431 10K
C433 10K
C435 10K
C437 10K
C439 10K
C441 10K
C443 10K
C445 10K
C447 10K
C449 10K
C451 10K
C453 10K
C455 10K
C457 10K
C459 10K
C461 10K
C463 10K
C465 10K
C467 10K
C469 10K
C471 10K
C473 10K
C475 10K
C477 10K
C479 10K
C481 10K
C483 10K
C485 10K
C487 10K
C489 10K
C491 10K
C493 10K
C495 10K
C497 10K
C499 10K
C501 10K
C503 10K
C505 10K
C507 10K
C509 10K
C511 10K
C513 10K
C515 10K
C517 10K
C519 10K
C521 10K
C523 10K
C525 10K
C527 10K
C529 10K
C531 10K
C533 10K
C535 10K
C537 10K
C539 10K
C541 10K
C543 10K
C545 10K
C547 10K
C549 10K
C551 10K
C553 10K
C555 10K
C557 10K
C559 10K
C561 10K
C563 10K
C565 10K
C567 10K
C569 10K
C571 10K
C573 10K
C575 10K
C577 10K
C579 10K
C581 10K
C583 10K
C585 10K
C587 10K
C589 10K
C591 10K
C593 10K
C595 10K
C597 10K
C599 10K
C601 10K
C603 10K
C605 10K
C607 10K
C609 10K
C611 10K
C613 10K
C615 10K
C617 10K
C619 10K
C621 10K
C623 10K
C625 10K
C627 10K
C629 10K
C631 10K
C633 10K
C635 10K
C637 10K
C639 10K
C641 10K
C643 10K
C645 10K
C647 10K
C649 10K
C651 10K
C653 10K
C655 10K
C657 10K
C659 10K
C661 10K
C663 10K
C665 10K
C667 10K
C669 10K
C671 10K
C673 10K
C675 10K
C677 10K
C679 10K
C681 10K
C683 10K
C685 10K
C687 10K
C689 10K
C691 10K
C693 10K
C695 10K
C697 10K
C699 10K
C701 10K
C703 10K
C705 10K
C707 10K
C709 10K
C711 10K
C713 10K
C715 10K
C717 10K
C719 10K
C721 10K
C723 10K
C725 10K
C727 10K
C729 10K
C731 10K
C733 10K
C735 10K
C737 10K
C739 10K
C741 10K
C743 10K
C745 10K
C747 10K
C749 10K
C751 10K
C753 10K
C755 10K
C757 10K
C759 10K
C761 10K
C763 10K
C765 10K
C767 10K
C769 10K
C771 10K
C773 10K
C775 10K
C777 10K
C779 10K
C781 10K
C783 10K
C785 10K
C787 10K
C789 10K
C791 10K
C793 10K
C795 10K
C797 10K
C799 10K
C801 10K
C803 10K
C805 10K
C807 10K
C809 10K
C811 10K
C813 10K
C815 10K
C817 10K
C819 10K
C821 10K
C823 10K
C825 10K
C827 10K
C829 10K
C831 10K
C833 10K
C835 10K
C837 10K
C839 10K
C841 10K
C843 10K
C845 10K
C847 10K
C849 10K
C851 10K
C853 10K
C855 10K
C857 10K
C859 10K
C861 10K
C863 10K
C865 10K
C867 10K
C869 10K
C871 10K
C873 10K
C875 10K
C877 10K
C879 10K
C881 10K
C883 10K
C885 10K
C887 10K
C889 10K
C891 10K
C893 10K
C895 10K
C897 10K
C899 10K
C901 10K
C903 10K
C905 10K
C907 10K
C909 10K
C911 10K
C913 10K
C915 10K
C917 10K
C919 10K
C921 10K
C923 10K
C925 10K
C927 10K
C929 10K
C931 10K
C933 10K
C935 10K
C937 10K
C939 10K
C941 10K
C943 10K
C945 10K
C947 10K
C949 10K
C951 10K
C953 10K
C955 10K
C957 10K
C959 10K
C961 10K
C963 10K
C965 10K
C967 10K
C969 10K
C971 10K
C973 10K
C975 10K
C977 10K
C979 10K
C981 10K
C983 10K
C985 10K
C987 10K
C989 10K
C991 10K
C993 10K
C995 10K
C997 10K
C999 10K

R401 9.1K
R403 2.2M
R405 10K
R407 390K
R409 1K 1/2W
R411 100
R413 10K
R415 1K
R417 47K
R419 330
R421 330
R423 330
R425 10K
R427 56
R429 3.9K
R431 2.2M
R433 2.7K
R435 10K
R437 10K
R439 47K
R441 470
R443 3.9K
R445 1K
R447 56K
R449 10K
R451 220
R453 10K
R455 10K
R457 1M
R459 100K
R461 10K
R463 100K
R465 10K
R467 10K
R469 10K
R471 68K
R473 1K
R475 5.1M
R477 1K
R479 1K
R481 1K
R483 1K
R485 1K
R487 1K
R489 1K
R491 1K
R493 1K
R495 1K
R497 1K
R499 1K
R501 1K
R503 1K
R505 1K
R507 1K
R509 1K
R511 1K
R513 1K
R515 1K
R517 1K
R519 1K
R521 1K
R523 1K
R525 1K
R527 1K
R529 1K
R531 1K
R533 1K
R535 1K
R537 1K
R539 1K
R541 1K
R543 1K
R545 1K
R547 1K
R549 1K
R551 1K
R553 1K
R555 1K
R557 1K
R559 1K
R561 1K
R563 1K
R565 1K
R567 1K
R569 1K
R571 1K
R573 1K
R575 1K
R577 1K
R579 1K
R581 1K
R583 1K
R585 1K
R587 1K
R589 1K
R591 1K
R593 1K
R595 1K
R597 1K
R599 1K
R601 1K
R603 1K
R605 1K
R607 1K
R609 1K
R611 1K
R613 1K
R615 1K
R617 1K
R619 1K
R621 1K
R623 1K
R625 1K
R627 1K
R629 1K
R631 1K
R633 1K
R635 1K
R637 1K
R639 1K
R641 1K
R643 1K
R645 1K
R647 47K
R649 1K
R651 1K
R653 1K
R655 1K
R657 1K
R659 1K
R661 1K
R663 1K
R665 1K
R667 1K
R669 1K
R671 1K
R673 1K
R675 1K
R677 1K
R679 1K
R681 1K
R683 1K
R685 1K
R687 1K
R689 1K
R691 1K
R693 1K
R695 1K
R697 1K
R699 1K
R701 1K
R703 1K
R705 1K
R707 1K
R709 1K
R711 1K
R713 1K
R715 1K
R717 1K
R719 1K
R721 1K
R723 1K
R725 1K
R727 1K
R729 1K
R731 1K
R733 1K
R735 1K
R737 1K
R739 1K
R741 1K
R743 1K
R745 1K
R747 3.3M
R749 1K
R751 1K
R753 1K
R755 1K
R757 1K
R759 1K
R761 1K
R763 1K
R765 1K
R767 1K
R769 1K
R771 1K
R773 1K
R775 1K
R777 1K
R779 1K
R781 1K
R783 1K
R785 1K
R787 1K
R789 1K
R791 1K
R793 1K
R795 1K
R797 1K
R799 1K
R801 1K
R803 1K
R805 1K
R807 1K
R809 1K
R811 1K
R813 1K
R815 1K
R817 1K
R819 1K
R821 1K
R823 1K
R825 1K
R827 1K
R829 1K
R831 1K
R833 1K
R835 1K
R837 1K
R839 1K
R841 1K
R843 1K
R845 1K
R847 47K
R849 1K
R851 1K
R853 1K
R855 1K
R857 1K
R859 1K
R861 1K
R863 1K
R865 1K
R867 1K
R869 1K
R871 1K
R873 1K
R875 1K
R877 1K
R879 1K
R881 1K
R883 1K
R885 1K
R887 1K
R889 1K
R891 1K
R893 1K
R895 1K
R897 1K
R899 1K
R901 1K
R903 1K
R905 1K
R907 1K
R909 1K
R911 1K
R913 1K
R915 1K
R917 1K
R919 1K
R921 1K
R923 1K
R925 1K
R927 1K
R929 1K
R931 1K
R933 1K
R935 1K
R937 1K
R939 1K
R941 1K
R943 1K
R945 1K
R947 1K
R949 1K
R951 1K
R953 1K
R955 1K
R957 1K
R959 1K
R961 1K
R963 1K
R965 1K
R967 1K
R969 1K
R971 1K
R973 1K
R975 1K
R977 1K
R979 1K
R981 1K
R983 1K
R985 1K
R987 1K
R989 1K
R991 1K
R993 1K
R995 1K
R997 1K
R999 1K

D401 1N4148
D402 1N4148
D403 1N4148
D404 1N4148
D405 IS1555
D406 IS1555
D407 IS1555
D408 IS1555
Q401 2SC900
Q402 2SC900
Q403 2SC900
Q404 2SC900
Q405 2SC900
Q406 2SC1318
Q407 2SC900
Q408 2SC900
Q409 2SC900
Q410 2SC900
Q411 2SC900
Q412 2SC900
Q413 2SC900
Q414 2SC900
Q415 FET 2SK127
Q416 FET 2SK127
Q417 2SA733
Q418 2SA733
VR401 5K-A
VR402 5K-A
VR403 10K-B
VR404 10K-B
VR405 10K-B
VR406 10K-B
ZD401 HZ6
S201-5
S501-2

