

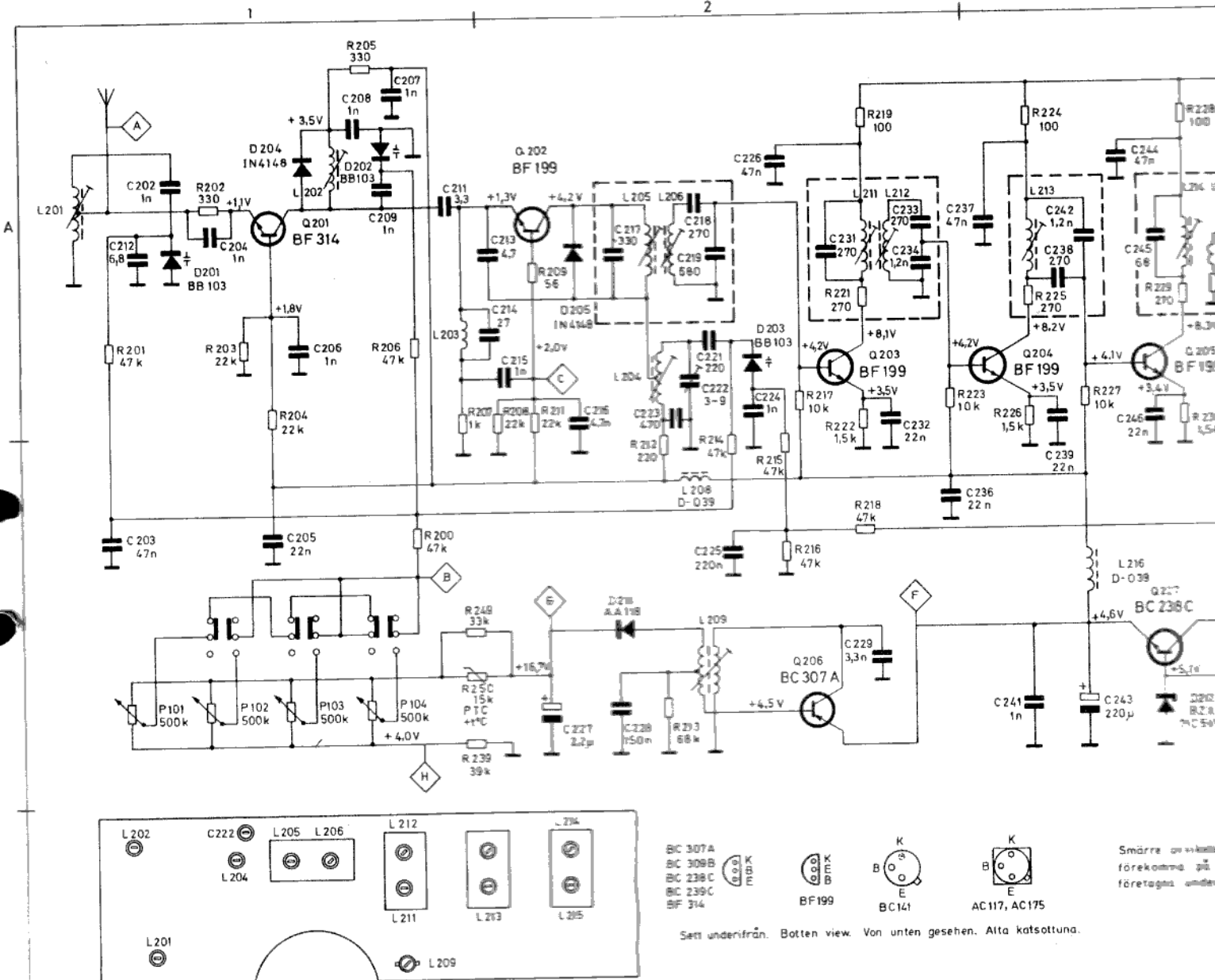
LUXOR

P R E L I M I N Ä R T
KOPPLINGSSCHEMA FÖR RADIOCHASSI
TYP 33031 SERIE 1
INGÅR I FÖLJANDE RADIOMOTTAGARE:

SKANTIC

MELODI 3031-1

FAVORIT 3031-2



(A) Kondensatorer Capacitors Kondensatoren Kondensattorit

| Nr | Art.nr | Värde | Tol ± % | Mat. | Sp. V | Pos. |
|-----|-------------|--------|-----------|------------|-------|------|
| 202 | 62 21339-01 | 1 nF | +100-20 | Keram. | 40 | A1 |
| 203 | 62 21887-01 | 4.7 nF | +80-20 | " | 63 | B1 |
| 204 | 62 21339-01 | 1 nF | +100-20 | " | 40 | A1 |
| 205 | 62 21344-01 | 2.2 nF | +100-20 | " | 40 | B1 |
| 206 | 62 21339-01 | 1 nF | +100-20 | " | 40 | A1 |
| 207 | 62 21339-01 | 1 nF | +100-20 | " | 40 | A1 |
| 208 | 62 21339-01 | 1 nF | +100-20 | " | 40 | A1 |
| 209 | 62 21339-01 | 1 nF | +100-20 | " | 40 | A1 |
| 210 | | | | | | |
| 211 | 62 21230-01 | 3.3 pF | ± 0.5 pF | Keram. | 500 | A1 |
| 212 | 62 21234-01 | 6.8 pF | ± 0.25 pF | " | 63 | A1 |
| 213 | 62 21232-01 | 4.7 pF | ± 0.25 pF | " | 63 | A2 |
| 214 | 62 21242-01 | 27 pF | 2 | " | 63 | A2 |
| 215 | 62 21339-01 | 1 nF | +100-20 | " | 40 | A2 |
| 216 | 62 21341-01 | 4.7 nF | +100-20 | " | 40 | A2 |
| 217 | 62 30007-01 | 330 pF | 2.5 | Styrol | 63 | A2 |
| 218 | 62 30024-01 | 270 pF | 2.5 | " | 63 | A2 |
| 219 | 62 30009-01 | 580 pF | 2.5 | " | 63 | A2 |
| 220 | | | | | | |
| 221 | 62 00014-01 | 220 pF | 2.5 | Styrol | 160 | A2 |
| 222 | 62 21381-01 | 3-9 pF | | Inimmer | | A2 |
| 223 | 62 00015-01 | 470 pF | 2 | Keram. | | A2 |
| 224 | 62 21339-01 | 1 nF | +100-20 | " | 40 | A2 |
| 225 | 62 21297-01 | 220 nF | 20 | Met-iserat | 100 | B2 |
| 226 | 62 21887-01 | 4.7 nF | +80-20 | Keram. | 63 | A2 |
| 227 | 62 50019-01 | 2.2 μF | +50-20 | Tantal | 25 | B2 |
| 228 | 62 21347-01 | 150 nF | 20 | Met-iserat | 100 | B2 |
| 229 | 62 00012-01 | 3.3 nF | 10 | Keram. | 100 | B2 |
| 230 | | | | | | |
| 231 | 62 30024-01 | 270 pF | 2.5 | Styrol | 63 | A2 |
| 232 | 62 21344-01 | 2.2 nF | +100-20 | Keram. | 40 | A2 |
| 233 | 62 30024-01 | 270 pF | 2.5 | Styrol | 63 | A2 |
| 234 | 62 30023-01 | 1.2 nF | 2.5 | " | 63 | A2 |
| 235 | | | | | | |
| 236 | 62 21344-01 | 2.2 nF | +100-20 | Keram. | 63 | B2 |
| 237 | 62 21887-01 | 4.7 nF | +80-20 | " | 63 | A3 |
| 238 | 62 30024-01 | 270 pF | 2.5 | Styrol | 63 | A3 |

(C) Kondensatorer Capacitors Kondensatoren Kondensattorit

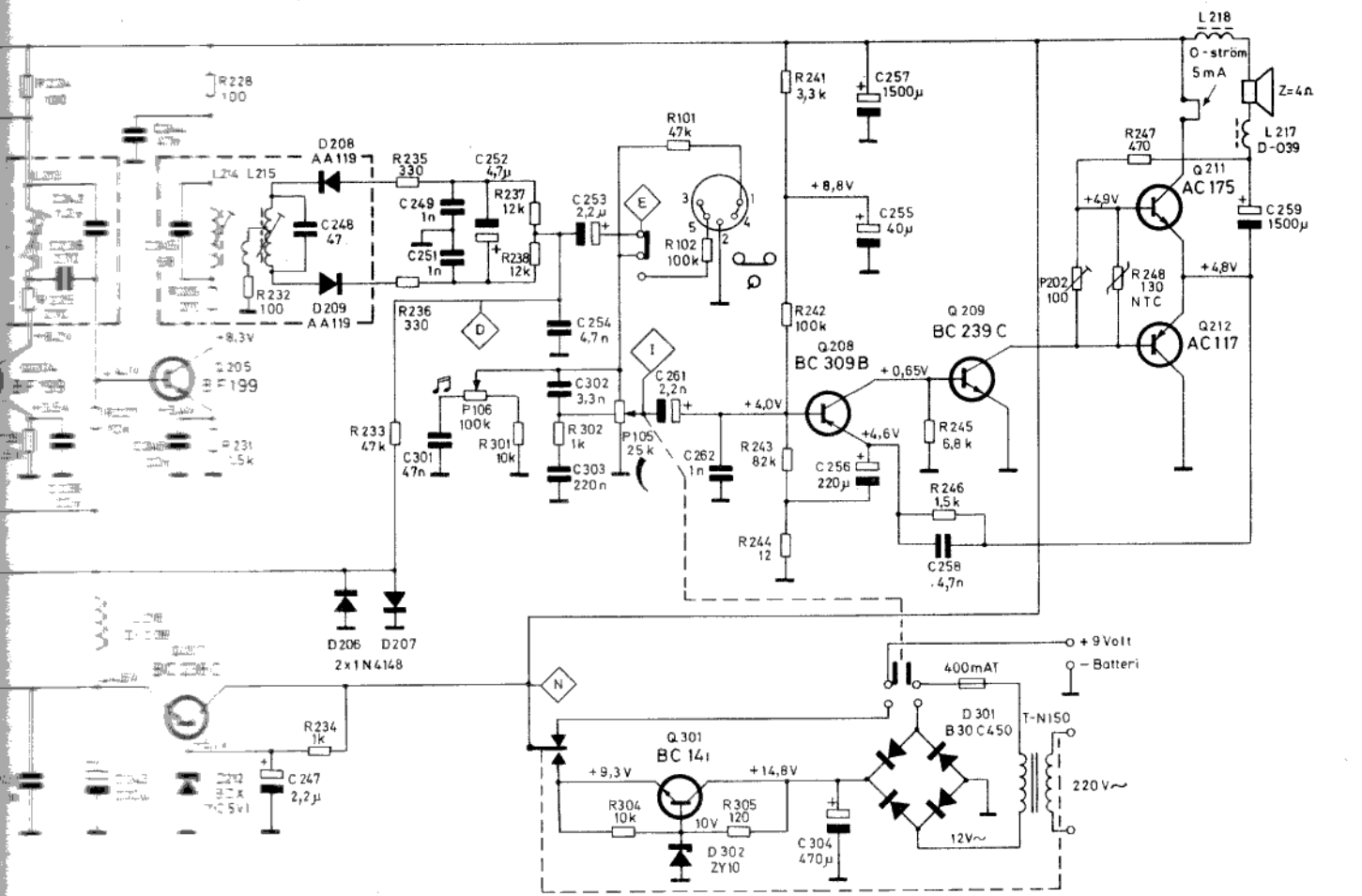
| Nr | Art.nr | Värde | Tol ± % | Mat. | Sp. V | Pos. |
|-----|-------------|---------|---------|------------|-------|------|
| 239 | 62 21344-01 | 2.2 nF | +100-20 | Keram. | 40 | A3 |
| 240 | | | | | | |
| 241 | 62 21339-01 | 1 nF | +100-20 | Keram. | 40 | B3 |
| 242 | 62 30023-01 | 1.2 nF | 2.5 | Styrol | 63 | A3 |
| 243 | 62 21302-01 | 220 pF | +80-20 | Keram. | 12 | B3 |
| 244 | 62 21887-01 | 4.7 nF | +80-20 | Keram. | 63 | A3 |
| 245 | 62 21247-01 | 58 pF | 2 | " | 63 | A3 |
| 246 | 62 21344-01 | 2.2 nF | +100-20 | " | 40 | A3 |
| 247 | 62 50019-01 | 2.2 μF | +50-20 | Tantal | 25 | B3 |
| 248 | 62 21245-01 | 4.7 pF | +80-20 | Keram. | 63 | A3 |
| 249 | 62 21339-01 | 1 nF | +100-20 | " | 40 | A3 |
| 250 | | | | | | |
| 251 | 62 21339-01 | 1 nF | +40-20 | Keram. | 40 | A3 |
| 252 | 62 50020-01 | 4.7 μF | +50-20 | Tantal | 25 | A3 |
| 253 | 62 50019-01 | 2.2 μF | +50-20 | " | 25 | A3 |
| 254 | 62 21341-01 | 4.7 nF | +100-20 | Keram. | 40 | A3 |
| 255 | 62 21885-01 | 40 pF | +90-10 | Elyt | 16 | A4 |
| 256 | 62 21037-01 | 220 pF | +50-20 | " | 12 | B4 |
| 257 | 62 12710-01 | 1500 pF | +50-10 | " | 12 | A4 |
| 258 | 62 21341-01 | 4.7 nF | +100-20 | Keram. | 40 | B4 |
| 259 | 62 12710-01 | 1500 pF | +50-10 | Elyt | 12 | A4 |
| 260 | | | | | | |
| 261 | 62 50019-01 | 2.2 μF | +50-20 | Tantal | 25 | A4 |
| 262 | 62 21339-01 | 1 nF | +100-20 | Keram. | 40 | B4 |
| 301 | 62 21887-01 | 4.7 nF | +80-20 | Keram. | 63 | A3 |
| 302 | 62 00012-01 | 3.3 nF | 10 | " | 100 | A3 |
| 303 | 62 21297-01 | 220 nF | 20 | Met-iserat | 100 | B3 |
| 304 | 62 50017-01 | 470 μF | +100-20 | Elyt | 16 | B4 |

(R) Motstånd Resistors Widerstände Vastukset

| Nr | Art.nr | Värde | Tol ± % | Mat. | Bel. w | Pos. |
|-----|-------------|--------|---------|--------|--------|------|
| 101 | 61 29272-01 | 47 kΩ | 5 | Keram. | 0.33 | A3 |
| 102 | 61 29274-01 | 100 kΩ | 5 | " | 0.33 | A4 |
| 200 | 61 29272-01 | 47 kΩ | 5 | Keram. | 0.33 | B1 |
| 201 | 61 29272-01 | 47 kΩ | 5 | " | 0.33 | A1 |
| 202 | 61 29254-01 | 330 Ω | 5 | " | 0.33 | A1 |
| 203 | 61 29268-01 | 22 kΩ | 5 | " | 0.33 | A1 |
| 204 | 61 29268-01 | 22 kΩ | 5 | " | 0.33 | B1 |
| 205 | 61 29254-01 | 330 Ω | 5 | " | 0.33 | A1 |
| 206 | 61 29272-01 | 47 kΩ | 5 | " | 0.33 | A1 |
| 207 | 61 29258-01 | 1 kΩ | 5 | " | 0.33 | A1 |
| 208 | 61 29268-01 | 22 kΩ | 5 | " | 0.33 | A2 |
| 209 | 61 29540-01 | 56 Ω | 5 | " | 0.33 | A2 |
| 210 | | | | | | |
| 211 | 61 29268-01 | 22 kΩ | 5 | Keram. | 0.33 | A2 |
| 212 | 61 29252-01 | 220 Ω | 5 | " | 0.33 | B2 |
| 213 | 61 29273-01 | 68 kΩ | 5 | " | 0.33 | B2 |
| 214 | 61 29272-01 | 47 kΩ | 5 | " | 0.33 | B2 |
| 215 | 61 29272-01 | 47 kΩ | 5 | " | 0.33 | B2 |
| 216 | 61 29272-01 | 47 kΩ | 5 | " | 0.33 | B2 |
| 217 | 61 29265-01 | 10 kΩ | 5 | " | 0.33 | A2 |
| 218 | 61 29272-01 | 47 kΩ | 5 | " | 0.33 | B2 |
| 219 | 61 29250-01 | 100 Ω | 5 | " | 0.33 | A2 |
| 220 | | | | | | |
| 221 | 61 29253-01 | 270 Ω | 5 | Keram. | 0.33 | A2 |
| 222 | 61 29259-01 | 1.5 kΩ | 5 | " | 0.33 | A2 |
| 223 | 61 29265-01 | 10 kΩ | 5 | " | 0.33 | A2 |
| 224 | 61 29250-01 | 100 Ω | 5 | " | 0.33 | A3 |
| 225 | 61 29253-01 | 270 Ω | 5 | " | 0.33 | A3 |
| 226 | 61 29259-01 | 1.5 kΩ | 5 | " | 0.33 | A3 |
| 227 | 61 29265-01 | 10 kΩ | 5 | " | 0.33 | A3 |
| 228 | 61 29250-01 | 100 Ω | 5 | " | 0.33 | A3 |
| 229 | 61 29253-01 | 270 Ω | 5 | " | 0.33 | A3 |
| 230 | | | | | | |
| 231 | 61 29259-01 | 1.5 kΩ | 5 | Keram. | 0.33 | A3 |
| 232 | 61 29250-01 | 100 Ω | 5 | " | 0.33 | A3 |
| 233 | 61 29272-01 | 47 kΩ | 5 | " | 0.33 | A3 |
| 234 | 61 29258-01 | 1 kΩ | 5 | " | 0.33 | B3 |
| 235 | 61 29254-01 | 330 Ω | 5 | " | 0.33 | A3 |

Smärre komponenter
förekommade på
färdiga under

Sätt underifrån. Botten view. Von unten gesehen. Alta katsottuna.



Småttillagda avvikelser från schemat kan förekomma på grund av ändringar under produktionen.

Minor deviations from the circuit diagram may occur due to alterations during production.

Kleine Abweichungen dieses Schaltschemas können auf Grund von Änderungen während der Produktion vorkommen.

Kytikävassa saattaa ilmetä joitakin poikkeuksia johtuen valmistuksen aikana tehdyistä muutoksista.

(R) Motstånd Resistors Widerstände Vastukset

| Nr | Art.nr | Värde | Tol. % | Mat. | Bel. W. | Pos. |
|-----|-------------|--------|--------|--------|---------|------|
| 236 | 61 29254-01 | 330 Ω | 5 | Keram. | 0,33 | A3 |
| 237 | 61 29266-01 | 12 kΩ | 5 | " | 0,33 | A3 |
| 238 | 61 29266-01 | 12 kΩ | 5 | " | 0,33 | A3 |
| 239 | 61 29271-01 | 39 kΩ | 5 | " | 0,33 | B1 |
| 240 | | | | | | |
| 241 | 61 29262-01 | 33 kΩ | 5 | Keram. | 0,33 | A4 |
| 242 | 61 29274-01 | 100 kΩ | 5 | " | 0,33 | A4 |
| 243 | 61 29298-01 | 82 kΩ | 5 | " | 0,33 | B4 |
| 244 | 61 29442-01 | 12 Ω | 5 | " | 0,33 | B4 |
| 245 | 61 29264-01 | 6,8 kΩ | 5 | " | 0,33 | A4 |
| 246 | 61 29259-01 | 1,5 kΩ | 5 | " | 0,33 | B4 |
| 247 | 61 29256-01 | 470 Ω | 5 | " | 0,33 | A4 |
| 248 | 61 20158-01 | 130 Ω | 5 | NTC | 0,33 | A4 |
| 249 | 61 29270-01 | 33 kΩ | 5 | Keram. | 0,33 | B1 |
| 250 | 61 29666-01 | 15 kΩ | 20 | PTC | 0,33 | B1 |
| 301 | 61 29265-01 | 10 kΩ | 5 | Keram. | 0,33 | A3 |
| 302 | 61 29258-01 | 1 kΩ | 5 | " | 0,33 | A3 |
| 303 | | | | | | |
| 304 | 61 29265-01 | 10 kΩ | 5 | Keram. | 0,33 | B3 |
| 305 | 61 29674-01 | 120 Ω | 5 | " | 0,33 | B4 |

(L) Spolar Coils Spulen Ketat

| Nr | Art.nr | Benämning | Art.nr | Pos. |
|-----|-------------|------------------|-------------|------|
| 201 | 59 00026-02 | Antennspole | 59 89823-01 | A1 |
| 202 | 59 81710-01 | HF-spole | 59 89823-01 | A1 |
| 203 | 58 27725-01 | Korrektionsspole | | A1 |
| 204 | 59 81709-01 | Osc-spole | 59 89823-01 | A2 |
| 205 | 59 81706-02 | MF-spole | 59 82813-01 | A2 |
| 206 | 59 81707-01 | MF-spole | 59 82813-01 | A2 |
| 207 | | | | |
| 208 | 58 56968-01 | Ferritdr. D-039 | 59 56759-01 | B2 |
| 209 | 59 00036-01 | Sp-omv. | 59 60550-01 | B2 |
| 210 | | | | |
| 211 | 59 81706-02 | MF-spole | 59 82813-01 | A2 |
| 212 | 59 81707-01 | MF-spole | 59 82813-01 | A2 |
| 213 | 59 81706-01 | MF-spole | 59 82813-01 | A3 |
| 214 | 59 81727-01 | MF-spole | 59 82813-01 | A3 |
| 215 | 59 81728-01 | MF-spole | 59 82813-01 | A3 |
| 216 | 58 56968-01 | Ferritdr. D-039 | 59 56759-01 | B3 |
| 217 | 58 56968-01 | Ferritdr. | 59 56759-01 | A4 |
| 218 | 58 56968-01 | Ferritdr. | 59 56759-01 | A4 |

(D) Dioder Diodes Diodes Diodes

| Nr | Art.nr | Benämning | Pos. |
|-----|-------------|------------|------|
| 301 | 63 88604-01 | B 30 C 450 | B4 |
| 302 | 63 40011-01 | Z Y10 | B4 |

(Q) Transistorer Transistor's Transistoren

| Nr | Art.nr | Typ | Pos. |
|-----|-------------|----------|------|
| 201 | 63 09217-01 | BF 314 | A1 |
| 202 | 63 00005-01 | BF 199 | A2 |
| 203 | 63 00005-01 | BF 199 | A2 |
| 204 | 63 00005-01 | BF 199 | A3 |
| 205 | 63 00005-01 | BF 199 | A3 |
| 206 | 63 10005-01 | BC 307 A | B2 |
| 207 | 63 10010-01 | BC 238 C | B3 |
| 208 | 63 10009-01 | BC 309 B | A4 |
| 209 | 63 10008-01 | BC 239 C | A4 |
| 210 | | | |
| 211 | 63 09002-01 | AC 175 | A4 |
| 212 | 63 09002-01 | AC 117 | A4 |
| 301 | 63 09220-01 | BC 141 | B4 |

(P) Potentiometrar Potentiometers Potentiometer Potentiometri

| Nr | Art.nr | Värde | Benämning | Pos. |
|-----|-------------|--------|---------------------|------|
| 01 | 61 60017-01 | 500 kΩ | Stationsinställning | B1 |
| 02 | 61 60017-01 | 500 kΩ | " | B1 |
| 03 | 61 60017-01 | 500 kΩ | " | B1 |
| 04 | 61 60016-01 | 500 kΩ | " | B1 |
| 105 | 61 17969-01 | 25 kΩ | Volymkontroll | A3 |
| 106 | 61 17622-01 | 100 kΩ | Tonkontroll | A3 |
| 202 | 61 17700-01 | 100 Ω | NoIt-ström | A4 |

(D) Dioder Diodes Diodes Diodes

| Nr | Art.nr | Typ | Pos. |
|-----|-------------|-----------|------|
| 201 | 63 08829-01 | BB 103 | A1 |
| 202 | 63 08829-01 | BB 103 | A1 |
| 203 | 63 08829-01 | BB 103 | A2 |
| 204 | 63 08824-01 | I N 4148 | A1 |
| 205 | 63 08824-01 | I N 4148 | A2 |
| 206 | 63 08824-01 | I N 4148 | B3 |
| 207 | 63 08824-01 | I N 4148 | B3 |
| 208 | 63 08603-01 | AA 119 | A3 |
| 209 | 63 08603-01 | AA 119 | A3 |
| 210 | | | |
| 211 | 63 08634-01 | AA 118 | B2 |
| 212 | 63 40010-01 | BZX71C5V1 | B3 |