

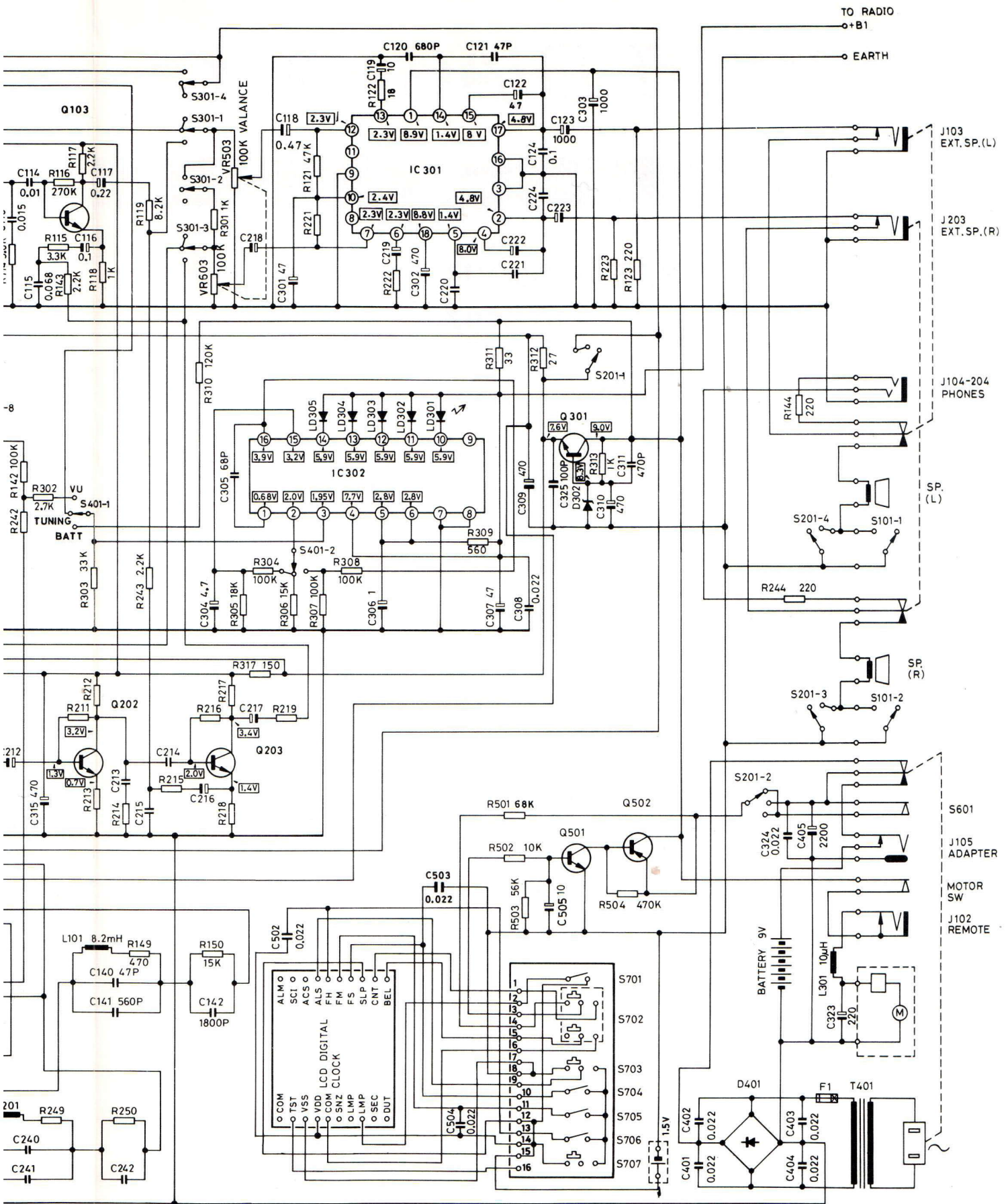
# CIRCUIT DIAGRAM

**SKANTIC**

**LUXOR**

**TYPE 110 9107  
110 9197**

Mars  
March 1980  
März



ION)  
 (TAPE POSITION)  
 I (STEREO POSITION)  
 U POSITION)  
 POSITION)

S701 LMP -- LAMP SWITCH  
 S702 M-A -- MANUAL-AUTO SWITCH  
 S703 T.S -- TIMER SET SWITCH  
 S704 S -- SECOND SWITCH  
 S705 M -- MINUTE SWITCH  
 S706 H -- HOUR SWITCH  
 S707 FX -- FIX SWITCH

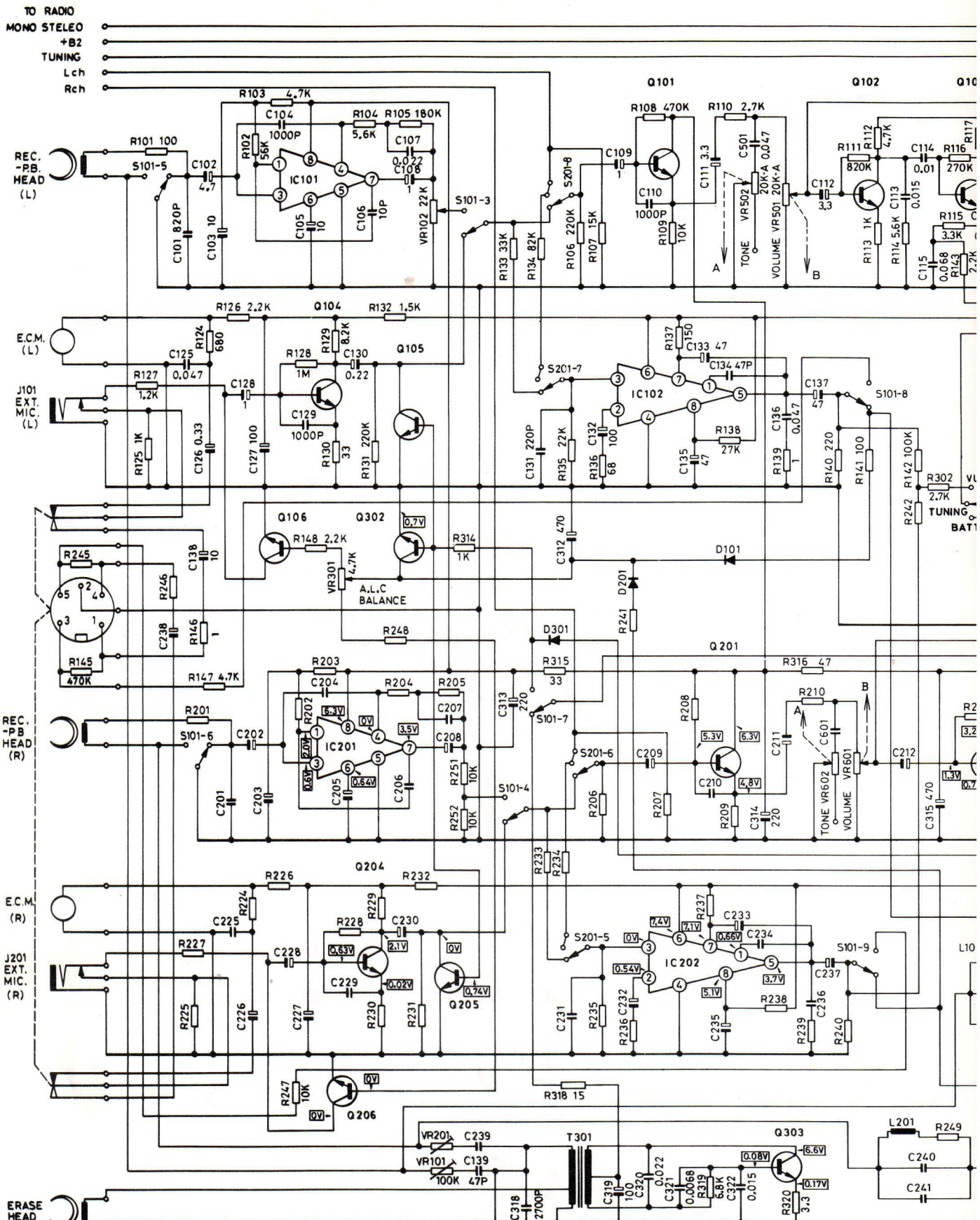
NOTES :

1. ALL RESISTANCE VALUES ARE IN  $\Omega$ . K=1000 $\Omega$  M=1000K $\Omega$
2. ALL CAPACITANCE VALUES ARE IN  $\mu$ F. P=10<sup>-6</sup> $\mu$ F
3. ALL RESISTORS ARE 1/4 WATT, UNLESS OTHERWISE SPECIFIED.
4. VOLTAGES MEASURED FROM POINT INDICATOR TO CHASSIS GROUND WITH V.T.V.M AT LINE VOLUME CONTROL MINIMUM AND NO SIGNAL.

(SPECIFICATIONS AND CIRCUITS SUBJECT TO CHANGE WITHOUT NOTICE IMPROVEMENT.)

748-498-0





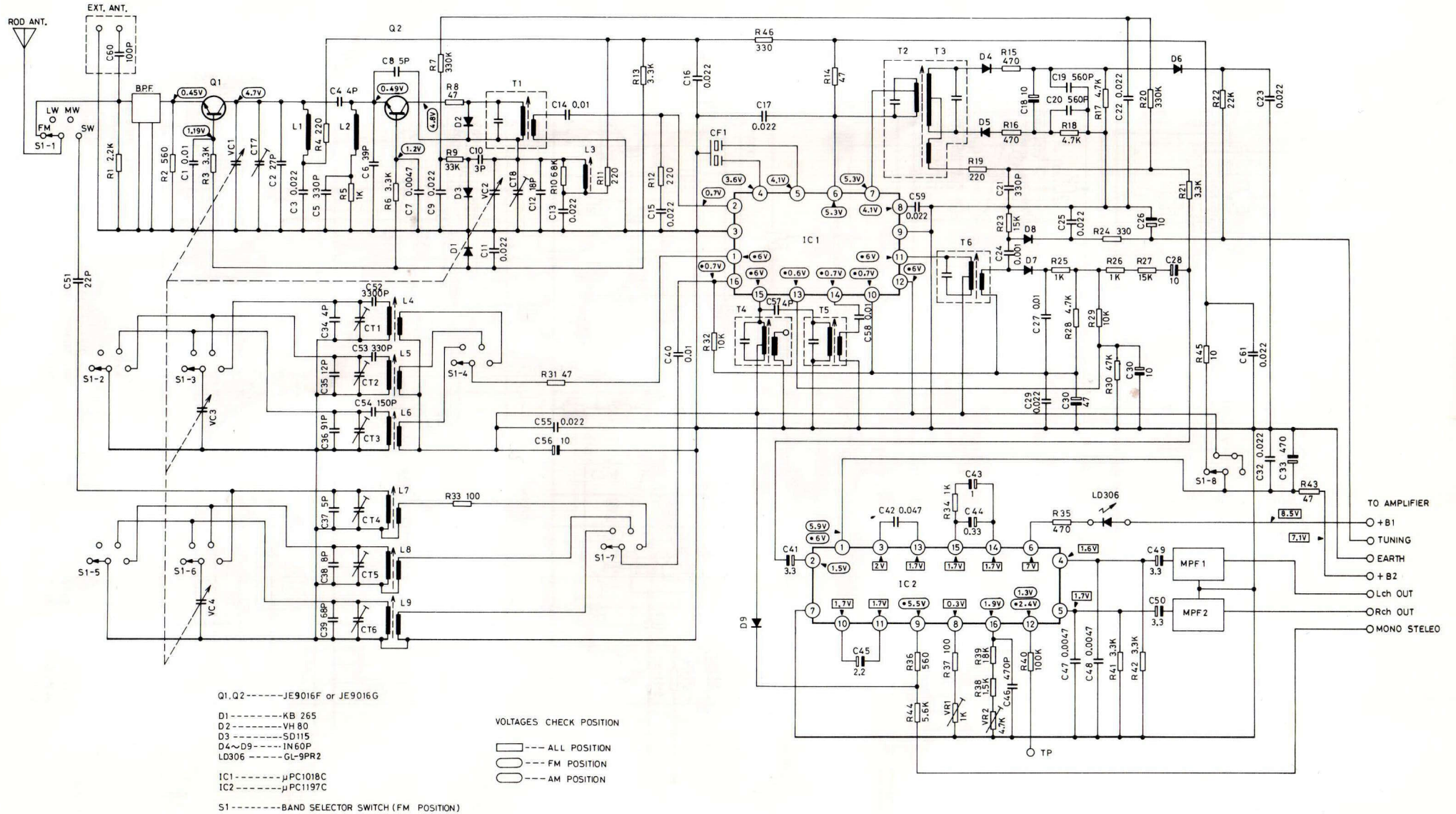
Q101, 102, 103, 105, 106, 201, 202  
 203, 205, 206, 302, 501 ---- 2SC458-D  
 Q104, 204 ---- 2SC1335-D  
 Q301, 303 ---- 2SD467-C  
 Q502 ---- 2SA634-L

D101, 201, 301 ---- 1N4148  
 D302 ---- UZ-8.2B  
 D401 ---- 2W02  
 LD301, 302, 303  
 304, 305 ---- GL-105RF

IC101, 201 ---- HA1406  
 IC102, 202 ---- TBA820M  
 IC301 ---- AN7146M  
 IC302 ---- LB1405

S101 -- REC./P.B. SWITCH (REC. POSITION)  
 S201 -- TAPE/RADIO/SLEEP SWITCH (TAPE POSIT  
 S301 -- MONO/STEREO/WIDE SWITCH (STEREO PC  
 S401 -- VU/BATT./TUNING SWITCH (VU POSITION)  
 S501 -- BEAT CANCEL  
 S601 -- TAPE ON OFF SWITCH (OFF POSITION)

# TUNER DIAGRAM



740-490-0

NOTES :  
 1. ALL RESISTANCE VALUES ARE IN  $\Omega$ , K=1000 $\Omega$ , M=1000K $\Omega$   
 2. ALL CAPACITANCE VALUES ARE IN  $\mu$ F, P=10 $\mu$ F  
 3. ALL RESISTORS ARE 1/4 WATT, UNLESS OTHERWISE SPECIFIED.  
 4. VOLTAGES MEASURED FROM POINT INDICATOR TO CHASSIS GROUND  
 WITH V.T.M AT LINE VOLUME CONTROL MINIMUM AND NO SIGNAL.  
 (SPECIFICATIONS AND CIRCUITS SUBJECT TO CHANGE WITHOUT NOTICE IMPROVEMENT.)