

# SERVICE MANUAL

SKANTIC

LUXOR

Feb. 1980

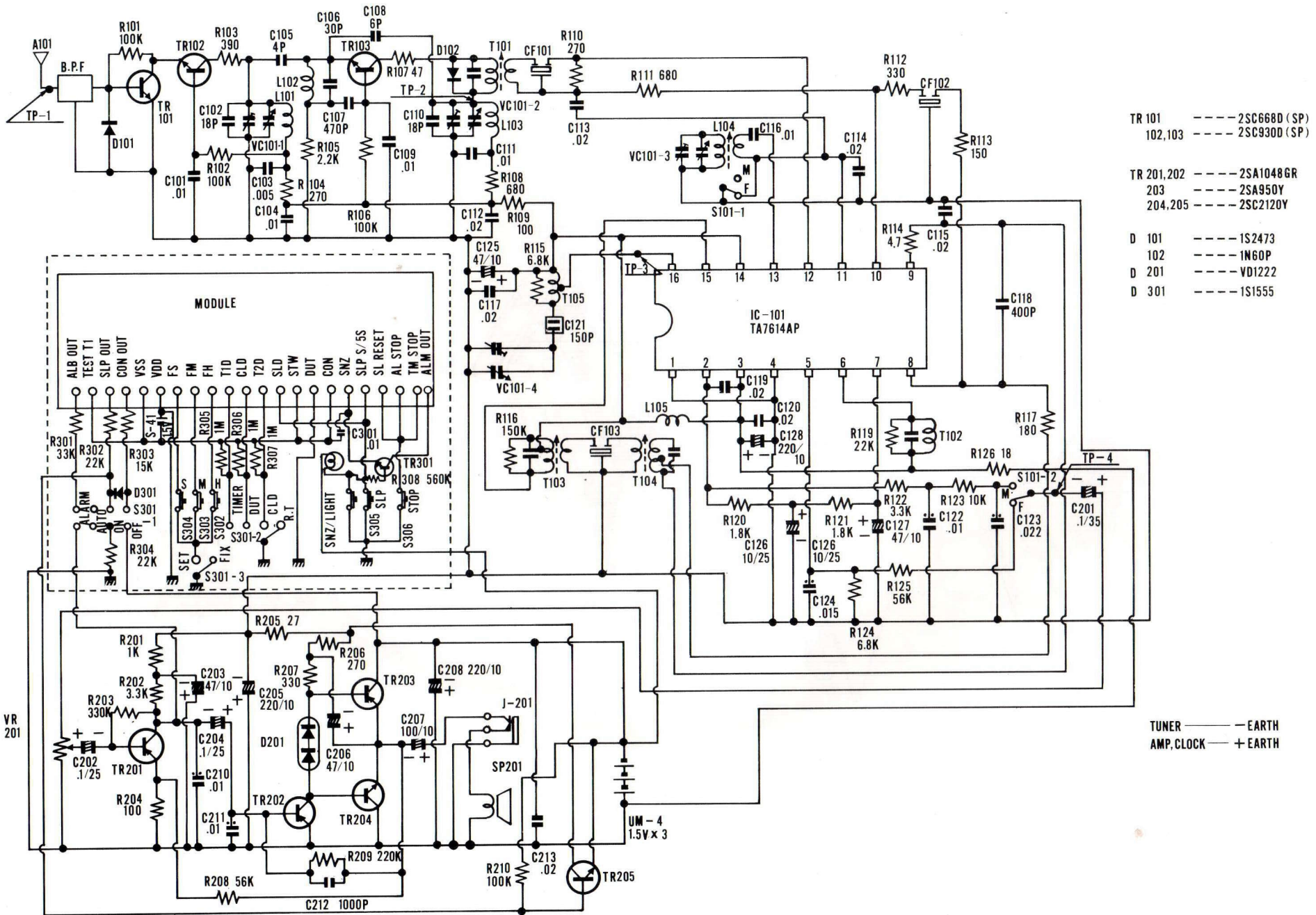
## TYPE 110 9104



### DATA

Driftspänning, radio	Power supply, radio	3 X 1,5 V (UM-44)
Driftspänning, klocka	Power supply, clock	1 X 1,5 V (S-41)
Uteffekt	Power output	max. 200 mW
Högtalare	Speaker	4,5 cm 8 $\Omega$
Frekvensområde FM	Frequency range FM	87,5 - 108 MHz
Frekvensområde AM	Frequency range AM	530 -1605 kHz

KOPPLINGSSCHEMA  
CIRCUIT DIAGRAM



- TR 101 ----- 2SC668D (SP)
- 102, 103 ----- 2SC930D (SP)
- TR 201, 202 ----- 2SA1048GR
- 203 ----- 2SA950Y
- 204, 205 ----- 2SC2120Y
- D 101 ----- 1S2473
- 102 ----- 1N60P
- D 201 ----- VD1222
- D 301 ----- 1S1555

TUNER ----- - EARTH  
AMP, CLOCK ----- + EARTH