

SERVICE MANUAL

SKANTIC

LUXOR

Juni 1980
June



TYPE 110 9105

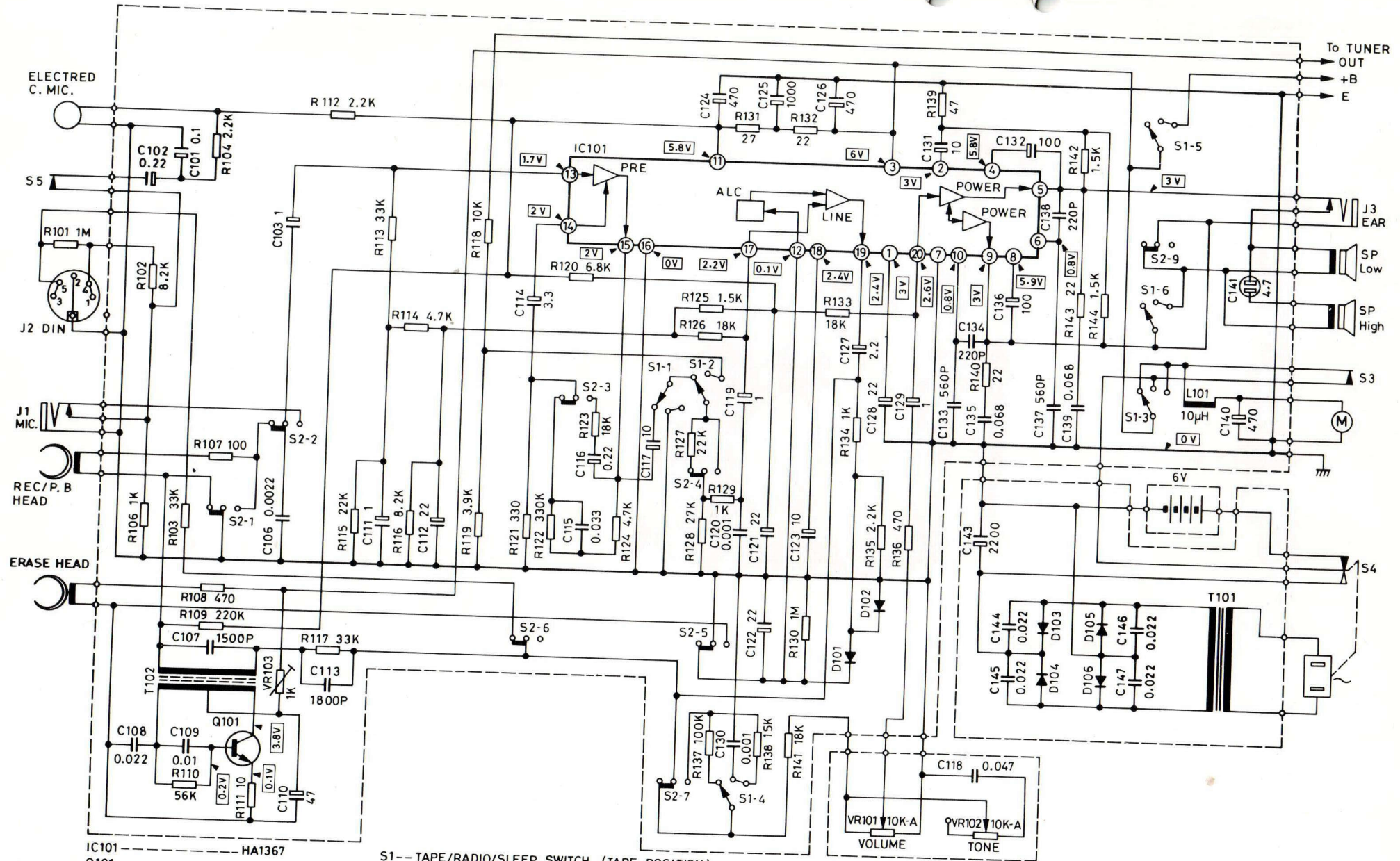


220 V, 50 Hz AC
+ 6 V DC



FM 88 — 104 MHz
LW 150 — 300 kHz
MW 525 — 1605 kHz
SW 6 — 18 MHz

KOPPLINGSSCHEMA
CIRCUIT DIAGRAM

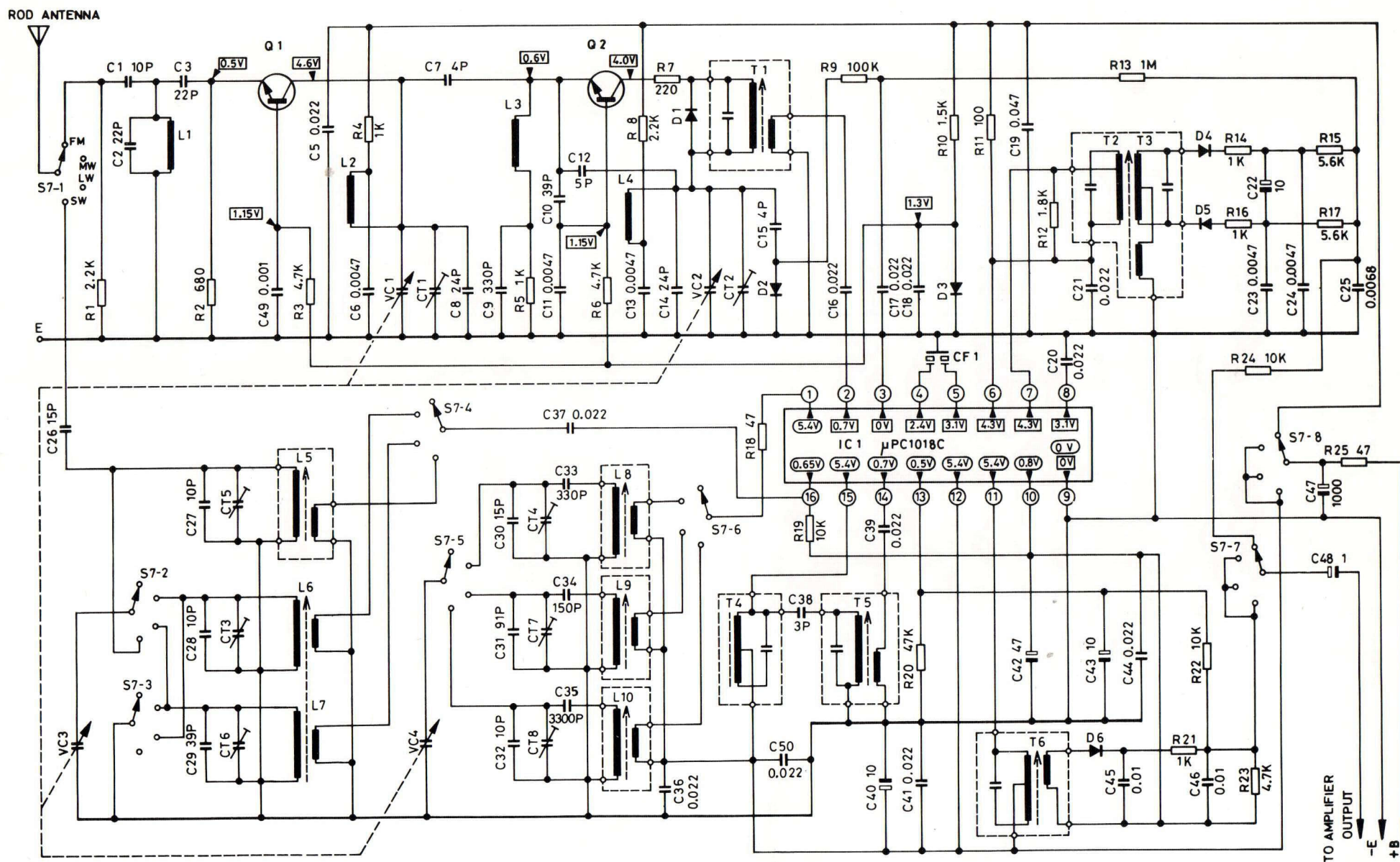


IC101 --- HA1367
Q101 --- 2SC458-D

S1---TAPE/RADIO/SLEEP SWITCH (TAPE POSITION)
S2---RECORD/PLAYBACK SWITCH (P.B. POSITION)
S3---TAPE ON/OFF SWITCH (ON POSITION)
S4---DC/AC POWER SWITCH (DC POSITION)
S5---C. MIC./DIN SWITCH (C.MIC. POSITION)

D101, 102 --- 1N4148
D103, 104, 105, 106 --- W03 B

RADIODEL
 TUNER



- Q1 2 ----- JE 9016-F or G
 D1 ----- HV80
 D2 ----- SD115
 D3 ----- KB-265
 D4, 5, 6 ----- 1N60P

- S7 --- BAND SELECTOR SWITCH (FM POSITION)
 VOLTAGE CHECK POSITION
 □ ----- FM POSITION
 ○ ----- AM POSITION

NOTES :

1. ALL RESISTANCE VALUES ARE IN Ω . K=1000 Ω M=1000K Ω
2. ALL CAPACITANCE VALUES ARE IN μ F. P=10⁶ μ F
3. ALL RESISTORS ARE 1/4 WATT, UNLESS OTHERWISE SPECIFIED.
4. VOLTAGES MEASURED FROM POINT INDICATOR TO CHASSIS GROUND WITH V.T.V.M AT LINE VOLUME CONTROL MINIMUM AND NO SIGNAL.

(SPECIFICATIONS AND CIRCUITS SUBJECT TO CHANGE WITHOUT NOTICE IMPROVEMENT.)