

# SERVICE MANUAL

SKANTIC

LUXOR

Juni 1980  
June 1980



TYPE 1109108



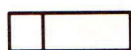
2×5 W max  
2 st 16 cm  
2 st 5 cm



AC 220 V  
DC 12 V



LCD Quartz  
DC 1.5 V.



FM ..... 88— 108 MHz  
MW ..... 535—1605 kHz  
LW ..... 150— 380 kHz  
SW ..... 3.7— 12 MHz

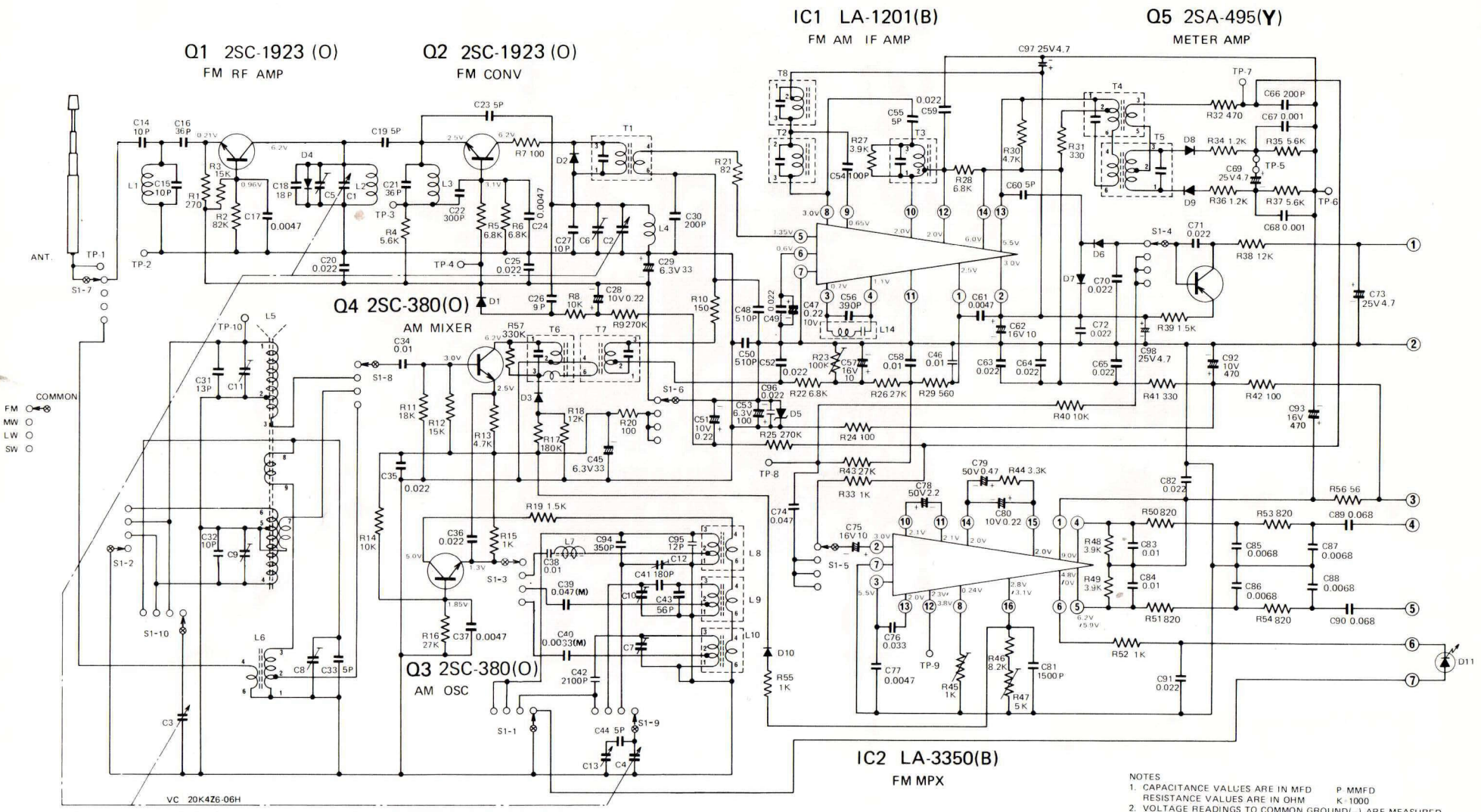
**MF, IF** AM ..... 455 kHz  
FM ..... 10.7 MHz

Bandhastighet  
Tape speed 4.75 cm/s  
Bandgeschwindigkeit

Svaj  
Wow and flutter 0.2 %  
Tonhöenschwankung

Frekvensomfång  
Frequency response 80—10 000 Hz  
Frequenzbereich

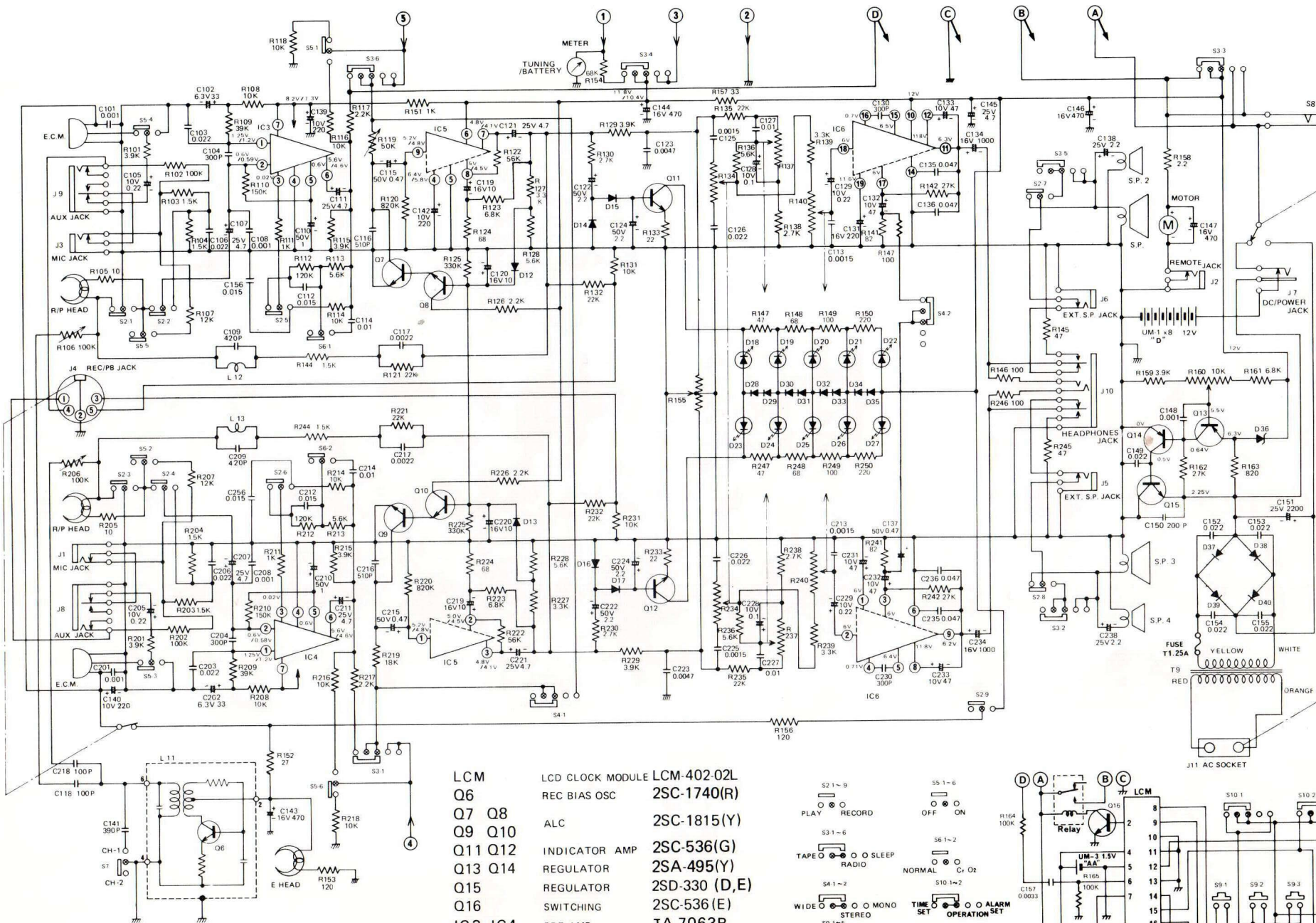
KOPPLINGSSCHEMA, RADIODEL  
 CIRCUIT DIAGRAM, TUNER UNIT  
 SCHALTSCHHEMA, RADIO-TEIL



NOTES  
 1. CAPACITANCE VALUES ARE IN MFD P MMFD  
 RESISTANCE VALUES ARE IN OHM K -1000  
 2. VOLTAGE READINGS TO COMMON GROUND(-) ARE MEASURED  
 WITH VTVM NO SIGNAL CONDITIONS.  
 □/□ V INDICATES



KOPPLINGSSCHEMA, FÖRSTÄRKARDEL OCH KLOCKDEL  
 CIRCUIT DIAGRAM, AMPLIFIER AND CLOCK UNITS  
 SCHALTSCHHEMA, VERSTÄRKER-TEIL UND UHREN-TEIL



LCM	LCD CLOCK MODULE	LCM-402-02L
Q6	REC BIAS OSC	2SC-1740(R)
Q7 Q8	ALC	2SC-1815(Y)
Q9 Q10	INDICATOR AMP	2SC-536(G)
Q11 Q12	REGULATOR	2SA-495(Y)
Q15	REGULATOR	2SD-330 (D,E)
Q16	SWITCHING	2SC-536 (E)
IC3 IC4	PRE AMP	TA 7063P
IC5	AF AMP	TA 7312 P
IC 6	OUTPUT	TA 7215 P

