

# SERVICE MANUAL

SKANTIC

LUXOR

Mars  
March 1980  
März



TYPE  
150 5593

## DATA

### FM-DEL

Frekvensområde  
Wave ranges  
Frequenzbereich

Känslighet  
Sensitivity  
Empfindlichkeit

Störavstånd  
Signal/noise ratio  
Störabstand

Distorsion  
Distortion  
Klirrfaktor

Frekvensomfång  
Frequency range  
Frequenzumfang

Kanalseparation  
Channel separation  
Kanaltrennung

Pilottonsdämpning  
Pilot tone suppression  
Pilottondämpfung

### TUNER SECTION

Stereo

19 kHz, 38 kHz

### UKW-TEIL

87 - 108 MHz

20  $\mu$ V

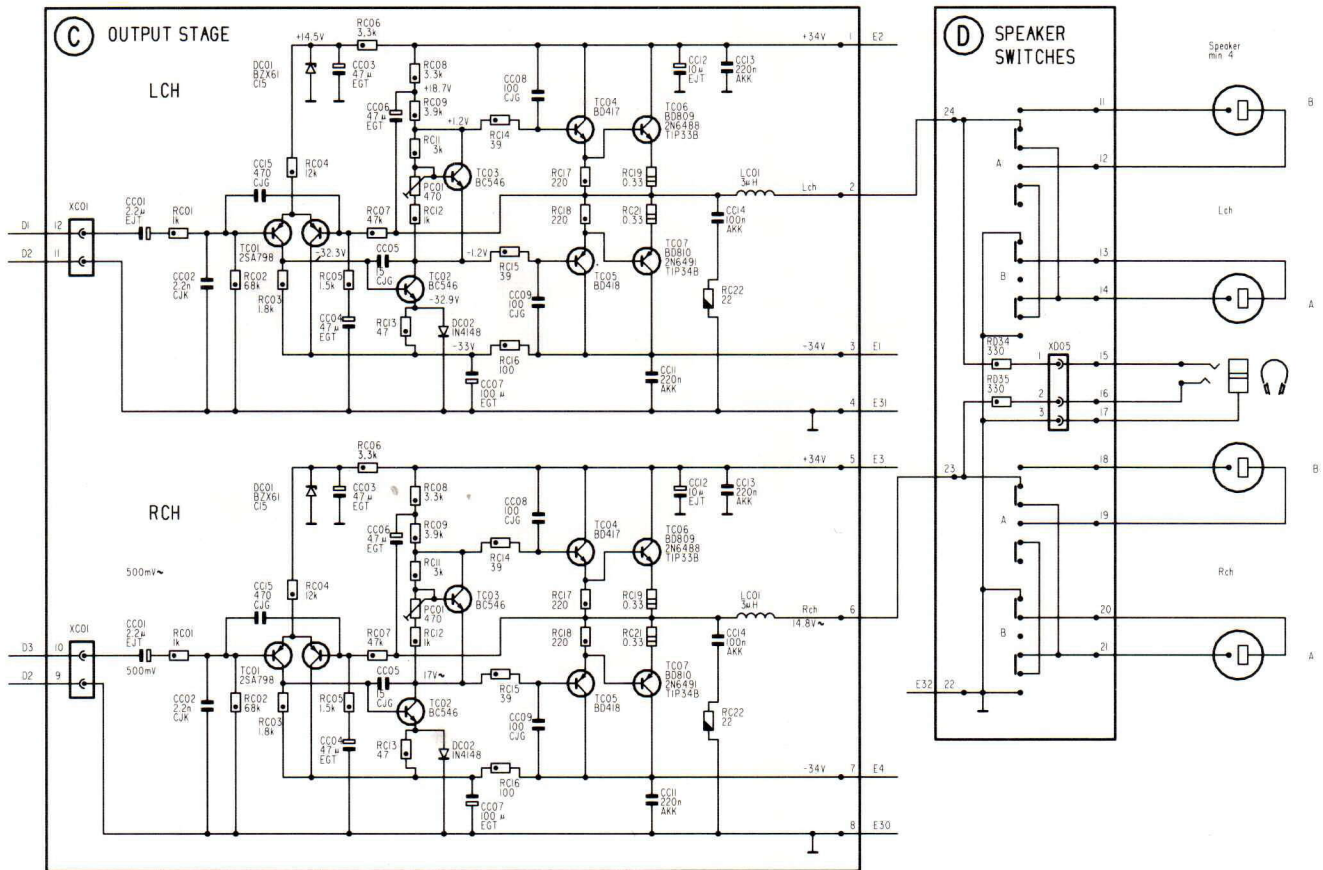
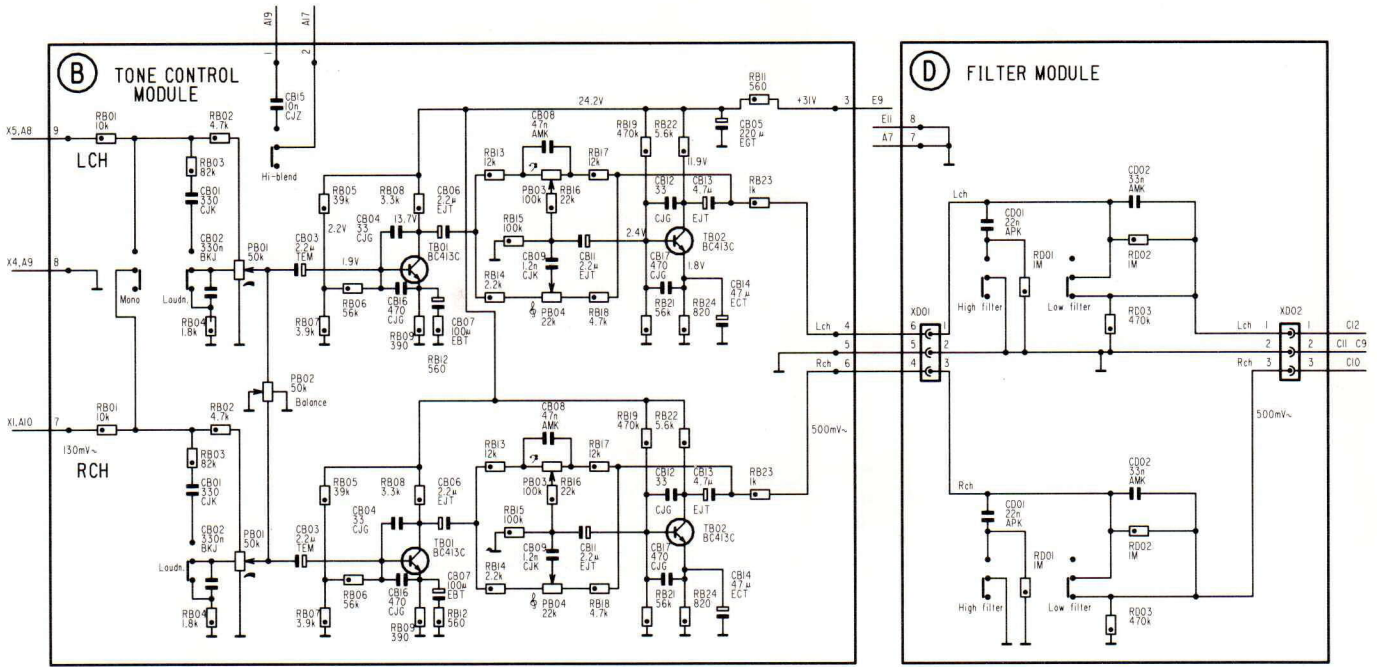
60 dB

0,3 %

20 - 15 000 Hz

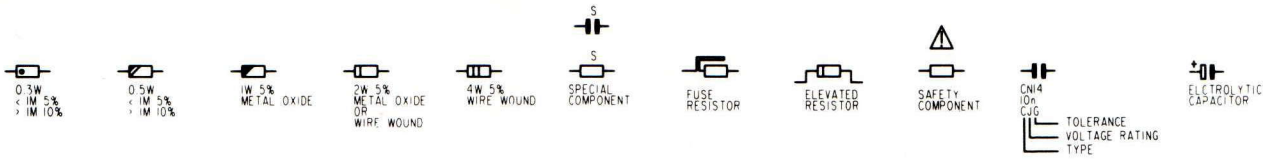
30 dB

60 dB





# COMPONENT SYMBOLS



CAPACITOR CLASSIFICATION TABLE

TYPE	CODE	VOLTAGE RATING	CODE	VOLTAGE RATING	CODE	TOLERANCE	CODE
POLYESTER	A	3 V	A	250 V	M	1%	F
POLYCARBONATE	B	6	B	350	N	2	G
CERAMIC	C	10	C	385	O	2.5	H
POLYSTYRENE (STYROL)	D	16	D	400	P	5	J
ELECTROLYTIC	E	25	E	450	R	10	K
POLYPROPYLENE	F	35	F	500	S	20	L
MET. PAPER	G	40	G	630	T	-20+80	M
TANTALUM	H	50	H	1000	U	-10+50	N
	I	63	I	1500	V	-10+75	O
	J	100	J	2000	W		P
	K		K		X		Q
	L		L				R

# CIRCUIT DIAGRAM

