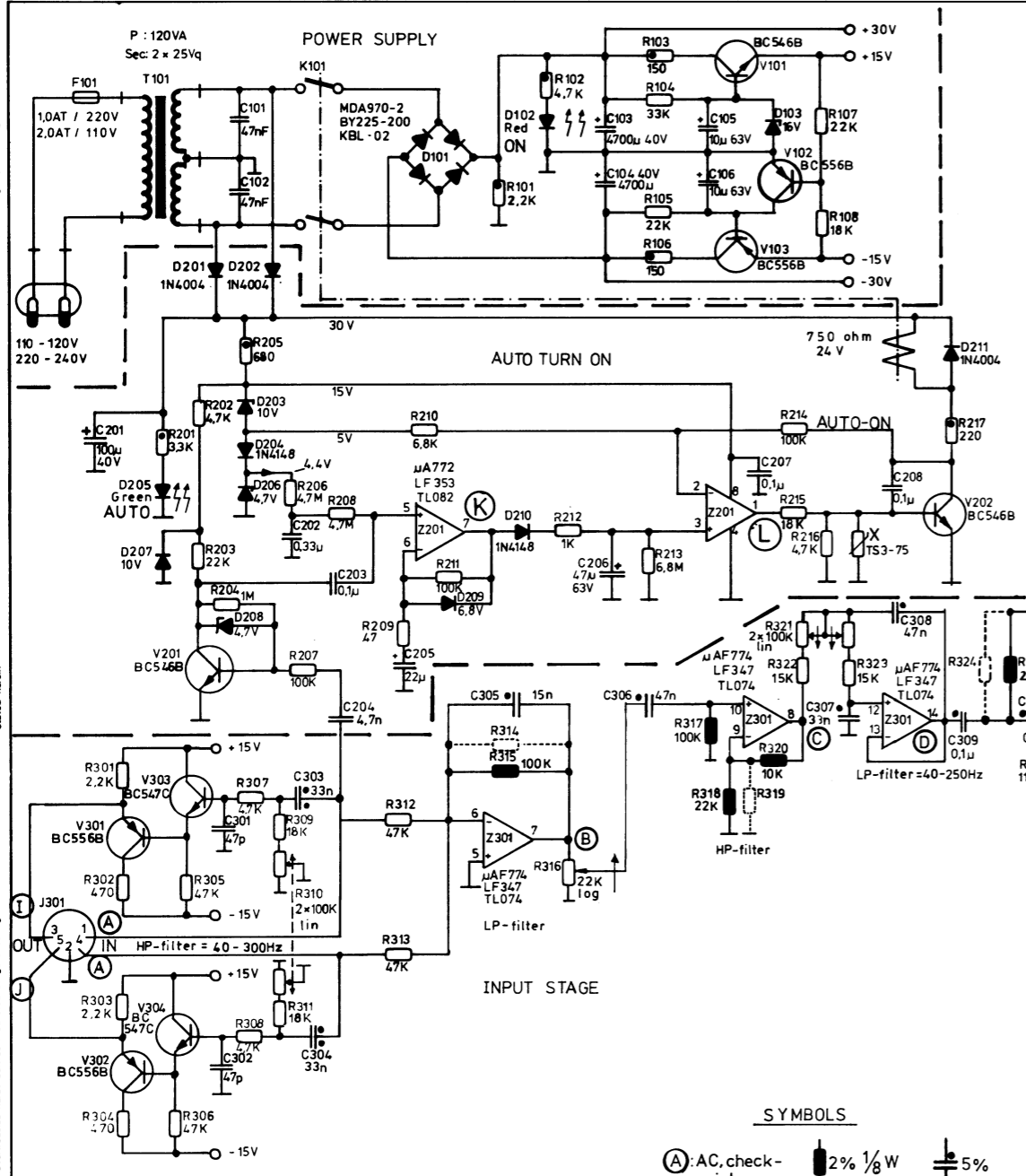


This document must not be copied, either completely or in part, without our permission. Any infringement will lead to legal proceedings.

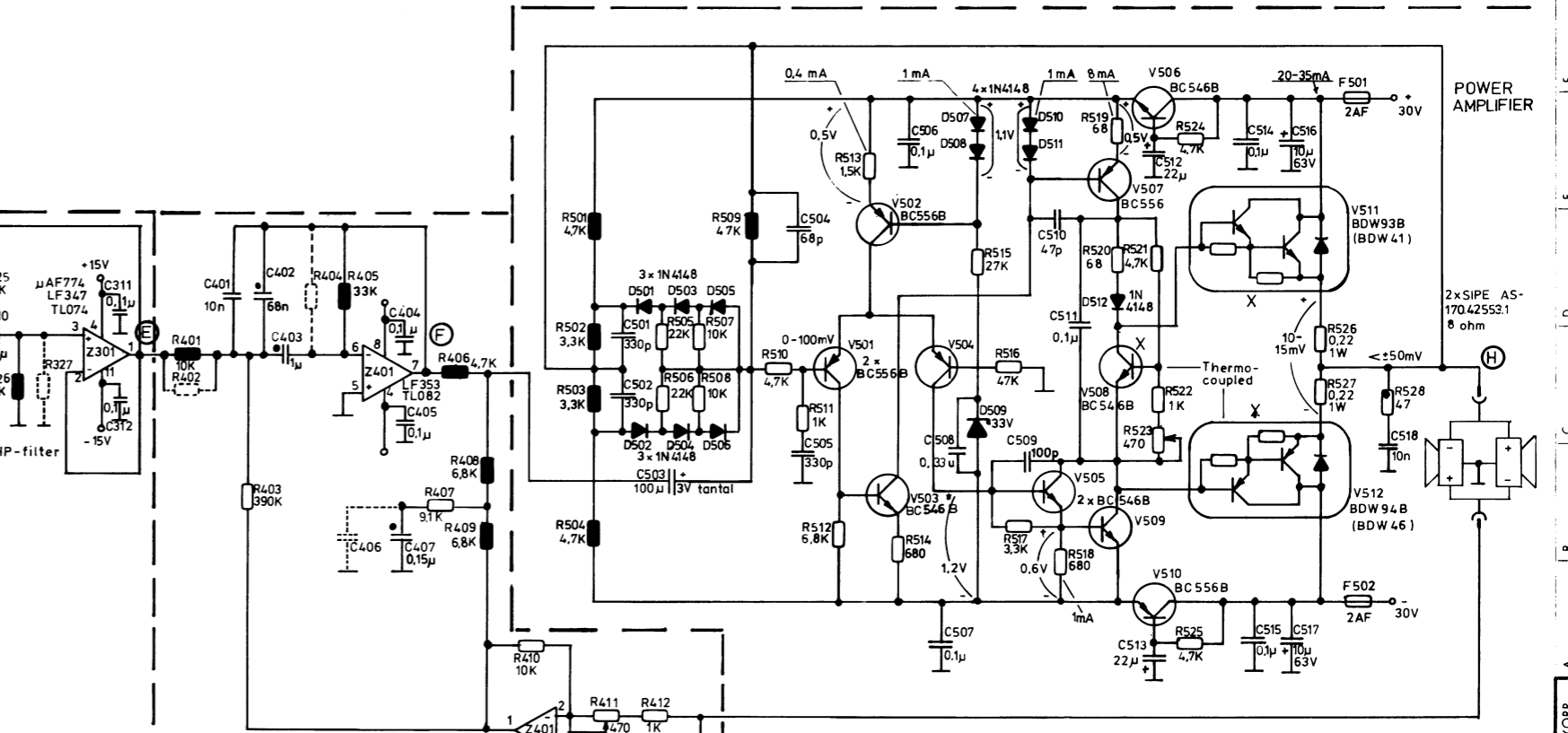
Material ordered with reference to this specification shall in every respect meet the requirements and data stated herein.

Den här handling är en utgåva av tekniska ritningar och ska inte användas som grund för konstruktion eller tillverkning utan vidare beaktande av tillämpliga bestämmelser.



AC-checkpoints: SENSITIVITY and CROSSOVER FREQUENCIES in maximum positions. Input 5mV to both left and right channels. Bass drivers connected.

TESTPOINT	31Hz	100Hz	200Hz
A	5mV	5mV	5mV
B	21mV	15mV	9mV
C	20mV	20mV	13mV
D	20mV	20mV	9mV
E	20mV	20mV	9mV
F	45mV	32mV	9mV
G	265mV	80mV	42mV
H	1.30V	520mV	200mV
I	0.8mV	1.7mV	30mV
J	0.8mV	1.7mV	30mV



- SYMBOLS**
- (A): AC, check-points
 - 0.5V: DC-Idling voltage
 - 0.4mA: DC-Idling current
 - X: on heatsink
 - 2% 1/8 W
 - 5% 1/8 W
 - 5% 1/2 W
 - 5%
 - Polypropylene or other approved capacitor

ACE - BASS CIRCUIT
Adjust R411 for 1.30V output in point (H) when both channel inputs are fed with 5mV at 31±2Hz. Bass drivers in box must be connected. Only for service.

Lövånger Elektronik AB

Ersätter/Replaces	Beställningsnr./No.	Uppgjord för/Project
Uppgjord av/Made by	KRETTSCHEMA	
Granskad/Checked	CIRCUIT DIAGRAM	
1:st angle projection	Godkänd/Approved	Skala/Scale
	800819 <i>Folke Gahrn</i>	
		Ritningsnummer/Drawings no.
		2-124003

KORR A B C D E F G H I J