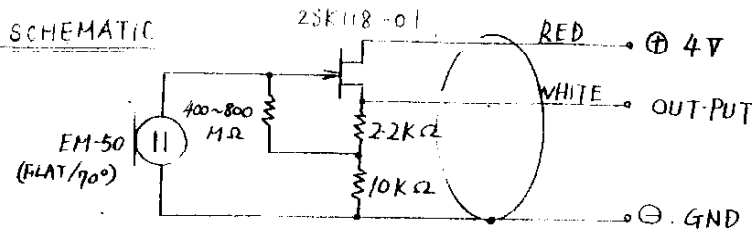
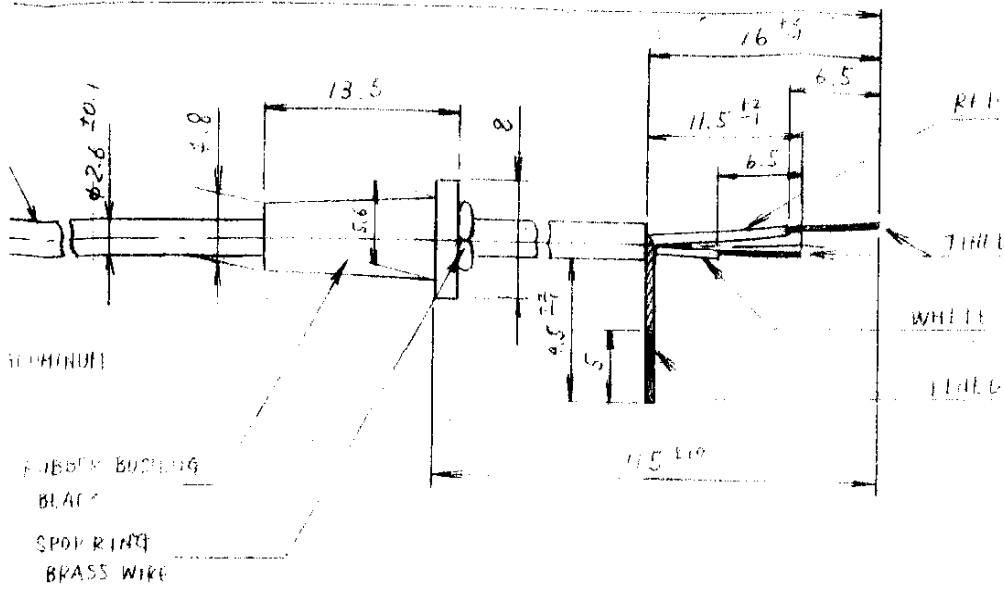
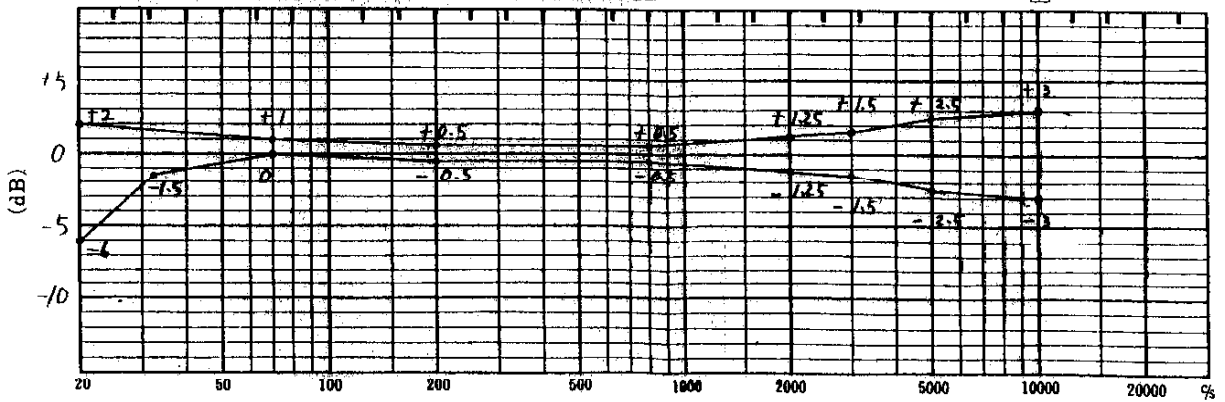


865 ^{1/10}

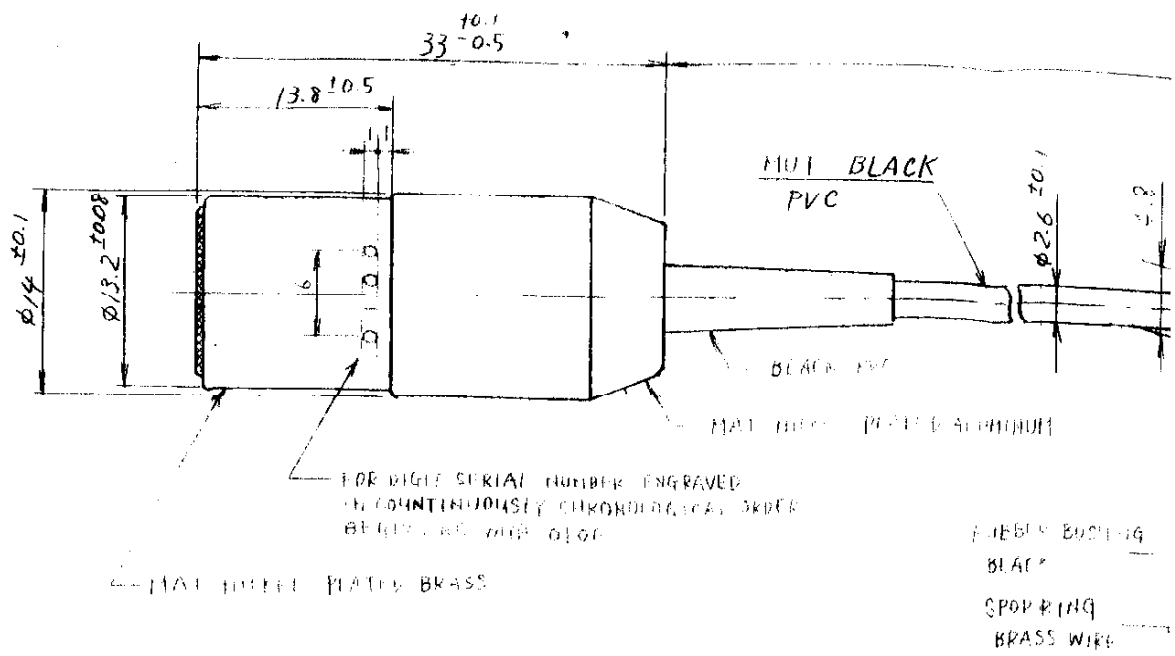


SCHEMATIC

70° INCIDENCE RESPONSE TOLERANCES



| | | | | | | | | |
|-----|-----------|----------|----------|--------------------|--------------------|--|-------|---------|
| • • | DIMENSION | MATERIAL | DESIGNED | • • | PRIMO COMPANY LTD. | | | |
| • • | INCH | FINISH | DRAWN | R. Tada 60.11.15 | | 1-25 6-Chome Mure Mitaka-shi Tokyo Japan | | |
| • • | SCALE | | CHECKED | • • | DRAWING NO. | 45292 | MODEL | EM-4052 |
| • • | 2 | | APPROVED | S. HOSAKI 60.11.15 | | | | PMA4 |



FIBRE BUSHING
BLACK
SPRING
BRASS WIRE

SPECIFICATIONS

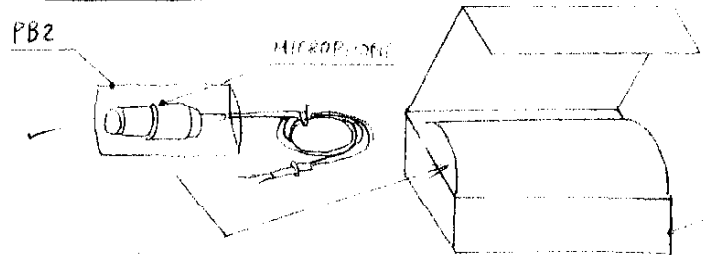
1. IMPEDANCE : $1K\Omega \pm 30\%$
2. SENSITIVITY : $-45\text{ dB} \pm 2.5\text{ dB}$ AT 1KHz (RE $0\text{ dB} = 1\text{ V/Pa}$)
3. FREQUENCY RESPONSE : FLAT FOR 90° INCIDENCE WITHIN LIMITS
4. DIRECTIONALITY : NON DIRECTIONAL
5. EQUIVALENT SELFNOISE : 32dB SPL MAXIMUM (A WEIGHTING)
6. OPERATING VOLTAGE : 4V
7. SUPPLY CURRENT : 250 μ A MAXIMUM
8. DISTORTION : BELOW 135dB 1.5% MAXIMUM
 BELOW 132dB 1% MAX
 BELOW 122dB 0.5% MAX
9. MAXIMUM INPUT WITHOUT DAMAGE : 148dB SPL
10. STORAGE TEMPERATURE RANGE : -20°C TO $+70^\circ\text{C}$
11. OPERATING TEMPERATURE RANGE : -10°C TO $+60^\circ\text{C}$
12. SENSITIVITY WITH TEMPERATURE : $+0.1\text{ dB MAX}/^\circ\text{C}$
13. SENSITIVITY WITH HUMIDITY : 0.5dB MAX. FROM 0 TO 95% RH.
14. SENSITIVITY WITH TIME : $\pm 1\text{ dB MAX. OVER 5 YEARS.}$

(dB)
+5
0
-5
-10

NOTE

MICROPHONE SHALL BE SUPPLIED WITH 90° INCIDENCE RESPONSE CURVE AS INDICATED RIGHT CHART. CURVE SHALL BE IDENTIFIED WITH CORRESPONDING MICROPHONE SERIAL NUMBER.

PACKING



| CHANGES | | | 3 | . | . | DIMENSION |
|---------|--------|-----------|---|---|---|-----------|
| NO. | SIGN. | DATE | 4 | . | . | INCH |
| | | | | | | mm |
| 1 | R Toda | '00.11.15 | 5 | . | . | SCALE |
| 2 | | . | 6 | . | . | 2 |