

ONKYO SERVICE MANUAL

CD RECEIVER MODEL CR-315 MODEL CR-315DAB



RC-660S

CR-315 for CS-315 Black and Silver models

B MPP, S MPP	230V AC, 50Hz
S MDC	120V AC, 60Hz


CR-315 Silver model

S MGT, S MGQ	220 - 230V AC, 50/60Hz
S MDT	120V AC, 60Hz

CR-315DAB for CS-315UK Silver model

S MPB	230V AC, 50Hz
-------	---------------

SAFETY-RELATED COMPONENT WARNING!!

COMPONENTS IDENTIFIED BY MARK  ON THE SCHEMATIC DIAGRAM AND IN THE PARTS LIST ARE CRITICAL FOR RISK OF FIRE AND ELECTRIC SHOCK. REPLACE THESE COMPONENTS WITH ONKYO PARTS WHOSE PART NUMBERS APPEAR AS SHOWN IN THIS MANUAL.

MAKE LEAKAGE-CURRENT OR RESISTANCE MEASUREMENTS TO DETERMINE THAT EXPOSED PARTS ARE ACCEPTABLY INSULATED FROM THE SUPPLY CIRCUIT BEFORE RETURNING THE APPLIANCE TO THE CUSTOMER.

SERVICE PROCEDURE-1

PROTECTION OF EYES FROM LASER BEAM DURING SERVICING

This set employs a laser. Therefore, be sure to follow carefully the instructions below when servicing.

WARNING!!

SERVICE WARNING : DO NOT APPROACH THE LASER EXIT WITH THE EYE TOO CLOSELY.

IN CASE IT IS NECESSARY TO CONFIRM LASER BEAM EMISSION, BE SURE TO OBSERVE FROM A DISTANCE OF MORE THAN 30cm FROM THE SURFACE OF THE OBJECTIVE LENS ON THE OPTICAL PICK-UP BLOCK.

Laser Diode Properties

Material: GaAS/GaALAs

Wavelength: 780nm

Laser output: max. 0.5mW*

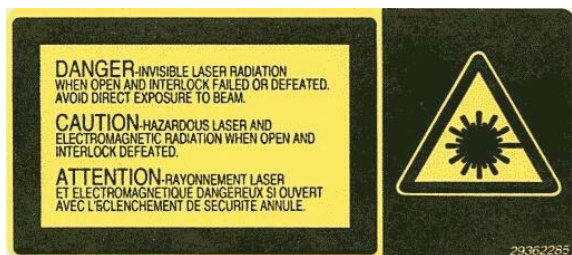
Emission Duration: continuous

*This output is the value measured at a distance about 1.8mm from the objective lens surface on the Optical Pick-up Block.

LASER WARNING LABEL

The label shown below are affixed.

1. Warning label



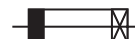
2. Class 1 label

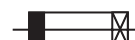


**LUOKAN 1
LASERLAITE
KLASS 1
LASER APPARAT**

SERVICE PROCEDURE

1. Replacing the fuses

 This symbol located near the fuse indicates that the fuse used is show operating type, For continued protection against fire hazard, replace with same type fuse , For fuse rating, refer to the marking adjust to the symbol.

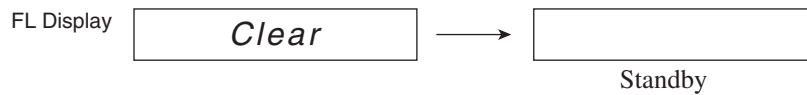
 Ce symbole indique que le fusible utilise est e lent. Pour une protection permanente, n'utiliser que des fusibles de meme type. Ce demier est indique la qu le present symbol est apposse.

REF.NO.	PART NAME	DESCRIPTION	PART NO	REMARK	<Notes>
F901	FUSE	0.5A-SE-EAWK	252063GR	!, <MPP>	<MPP> : CR-315 European model
F901	FUSE	1.25A-T/UL-ST2	252251GR	!, <MDC>	<MDC> : CR-315 Canadian model
F901	FUSE	0.5A-SE-EAWK	252063GR	!, <MGT>	<MGT> : CR-315 Asian model
F901	FUSE	1.25A-T/UL-ST2	252251GR	!, <MDT>	<MDT>: CR-315 Taiwanese model
F901	FUSE	0.5A-SE-EAWK	252063GR	!, <MGQ>	<MGQ> : CR-315 Hong kong model
F901	FUSE	0.5A-SE-EAWK	252063GR	!, <DAB MPB>	<DAB MPB> : CR-315DAB British model

SERVICE PROCEDURE-2

2. Initialize the unit

- (1) Press and the hold down the STOP ■ button, then press the STANDBY/ON button at power on state.
Preset memory and each mode stored in the memory, are initialized and will return to the factory settings.

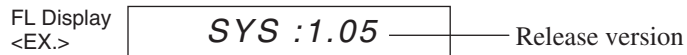


- (2) Disconnect the AC power cord from a wall outlet.

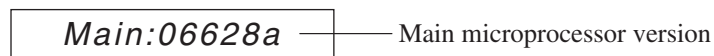
3. Check version of microprocessor.

Main microprocessor (Q709), Servo microprocessor (Q101), Sub microprocessor (Q801).

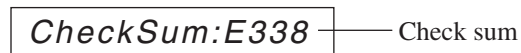
- (1) Press and the hold down the DISPLAY button, then press the STANDBY/ON button at power on state.



- (2) Press the INPUT button.



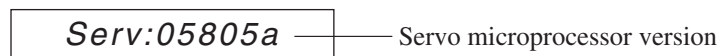
- (3) Press the INPUT button.



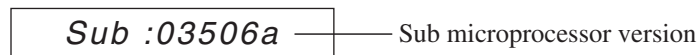
- (4) Press the INPUT button.



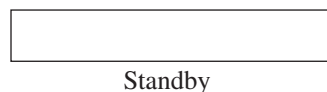
- (5) Press the INPUT button.



- (6) Press the INPUT button.

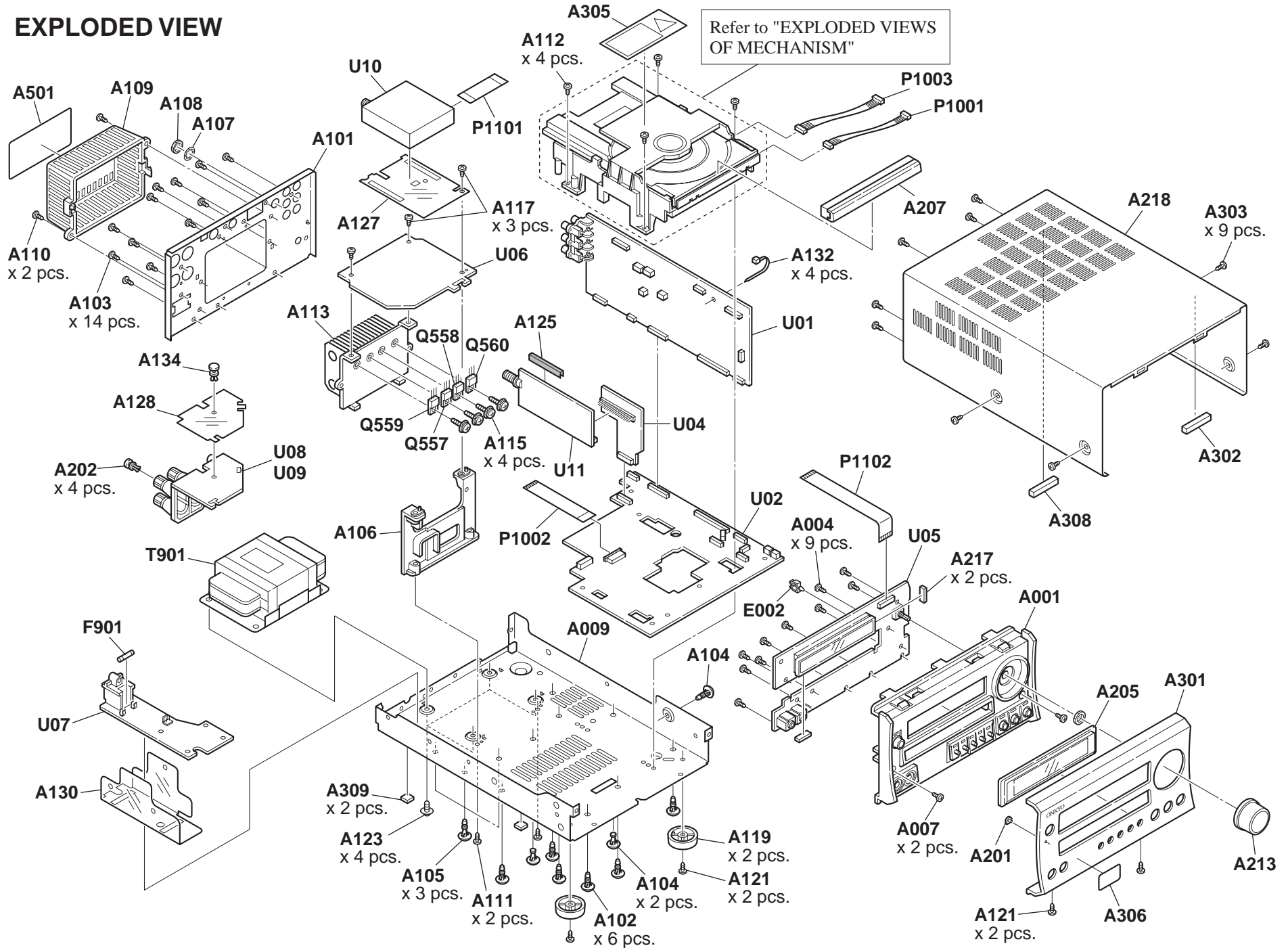


- (7) Press the STANDBY/ON button.



- (8) Disconnect the AC power cord from a wall outlet.

EXPLODED VIEW

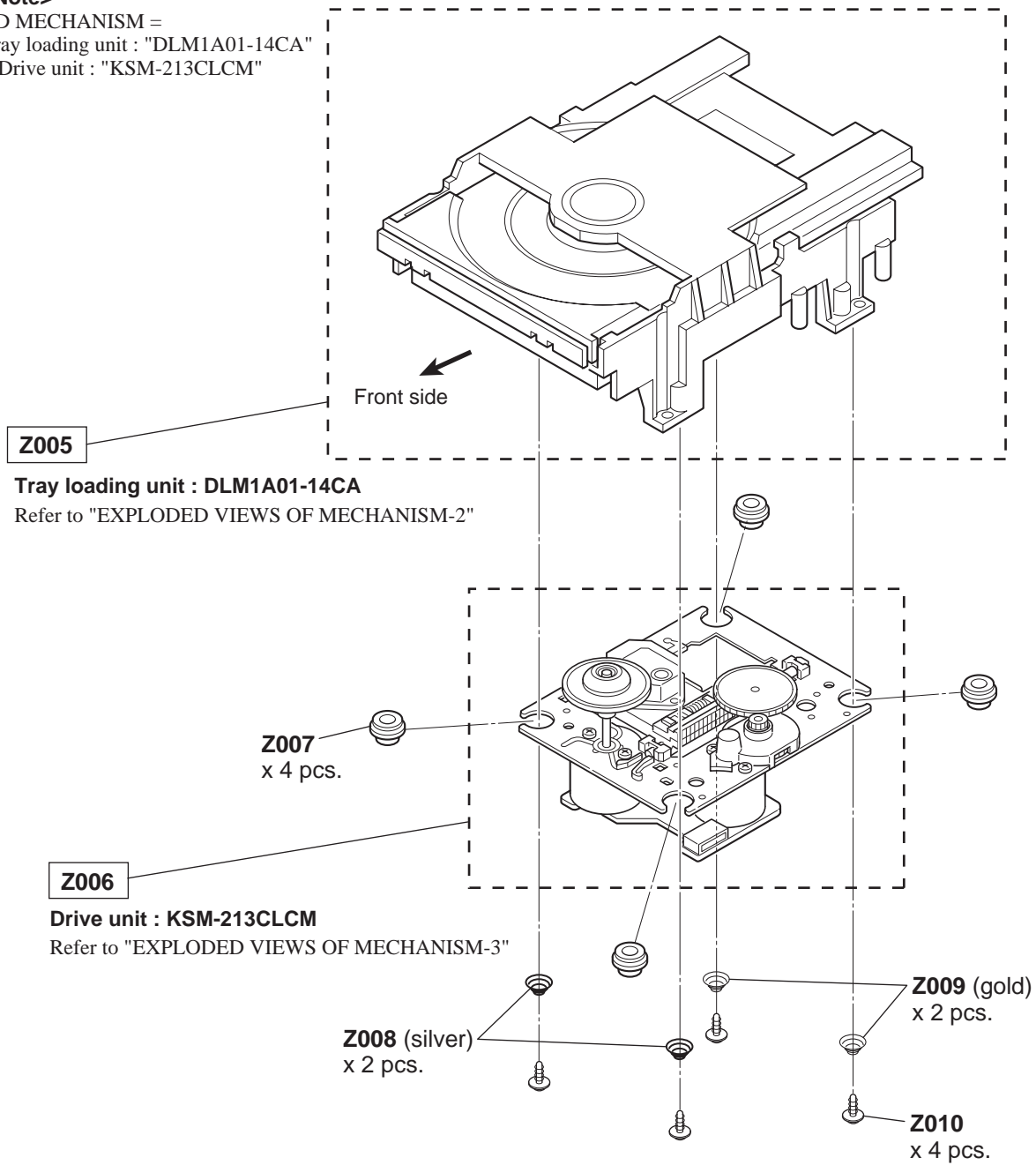


EXPLODED VIEWS OF MECHANISM-1

CD MECHANISM : DLM1A01-14CA / KSM-213CLCM

<Note>

CD MECHANISM =
 Tray loading unit : "DLM1A01-14CA"
 + Drive unit : "KSM-213CLCM"

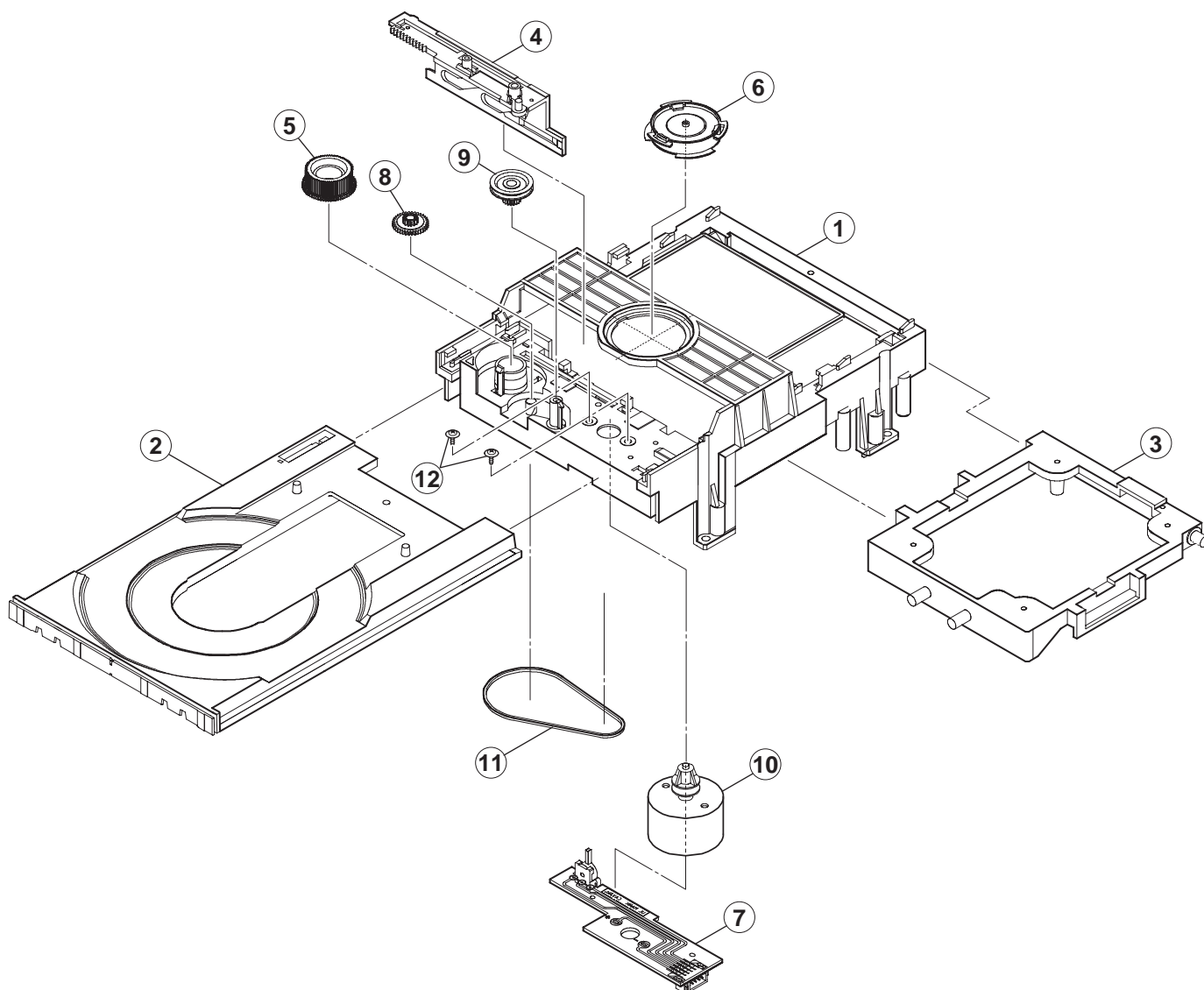


PARTS LIST

REF. NO.	PART NO. (SN)	PART NAME	DESCRIPTION	Q'TY
Z005	24800056	CD Tray Loading unit	DLM1A01-14CA	1
Z006	24800017	CD Drive unit	KSM-213CLCM	1
Z007	24818058	INSULATOR	(CDC-A)	4
Z008	24820071	SPRING	TP-D (silver)	2
Z009	24820072	SPRING	TP-E (gold)	2
Z010	801632	SCREW	2.6 x 8 x W10	4

EXPLODED VIEWS OF MECHANISM-2

CD TRAY LOADING UNIT : DLM1A01-14CA

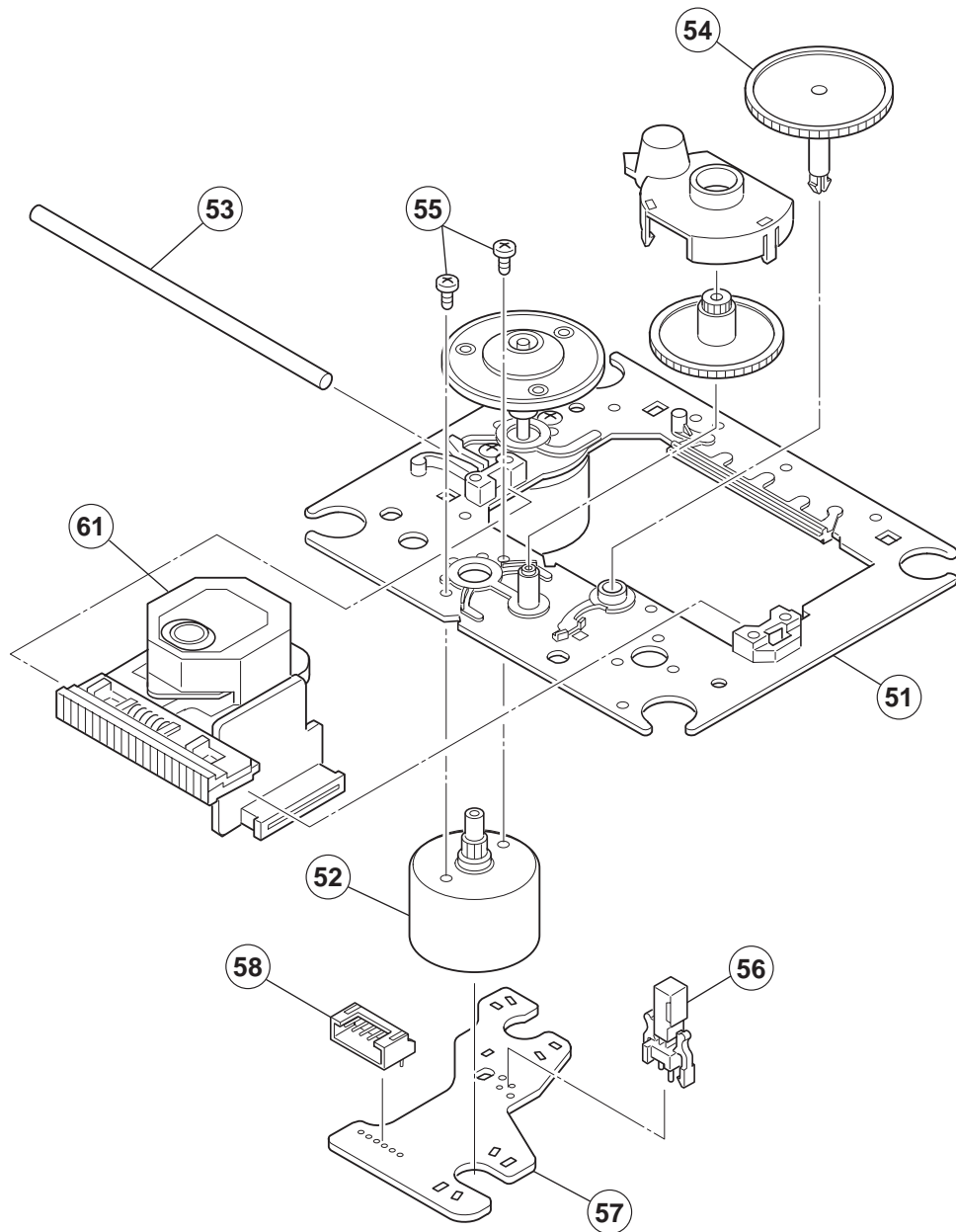


PARTS LIST

REF. NO.	PART NO. (SN)	DESCRIPTION	Q'TY
1	65-210-1054	CHASSIS	1
2	65-218-1055	TRAY	1
3	65-211-2040	SUB CHASSIS	1
4	65-239-2004	CAM SLIDER	1
5	65-222-3005	GEAR TRAY	1
6	65-093-4057H	CLAMPER ASS'Y	1
7	65-093-4058H	PWB ASS'Y	1
8	65-222-4037	GEAR A	1
9	65-222-4004	PULLEY GEAR	1
10	65-093-4068H	MOTOR ASS'Y	1
11	02-083-4274	LOADING BELT	1
12	GSP14A25027	SCREW	2

EXPLODED VIEWS OF MECHANISM-3

CD DRIVE UNIT : KSM-213CLCM



PARTS LIST

REF. NO.	PART NO. (SN)	DESCRIPTION	Q'TY
51	X-2625-877-1	Motor chassis ass'y	1
52	X2625-769-1	Motor gear ass'y	1
53	2626-908-01	Sled shaft	1
54	24810023	Gear (A) (S)	1
55	7621-255-15	P2 x 3, Screw	2
56	24840008	Leaf switch	1
57	1639-678-12	Motor PC board	1
58	1-564-722-11	Connector 6pin	1
61	8848-483-05	KSS-213C, Pickup	1

E

F

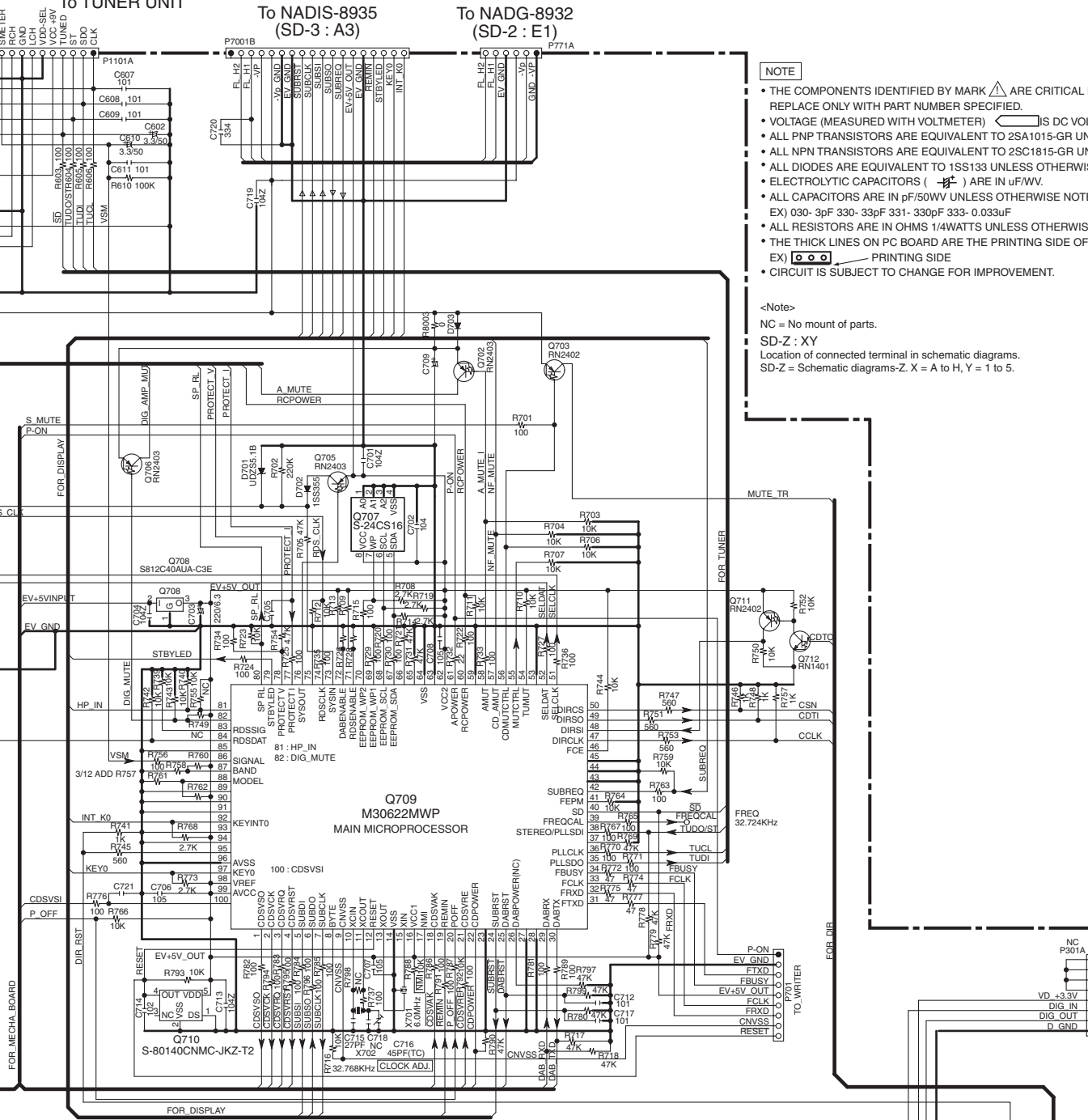
G

H

To TUNER UNIT

To NADIS-8935 (SD-3 : A3)

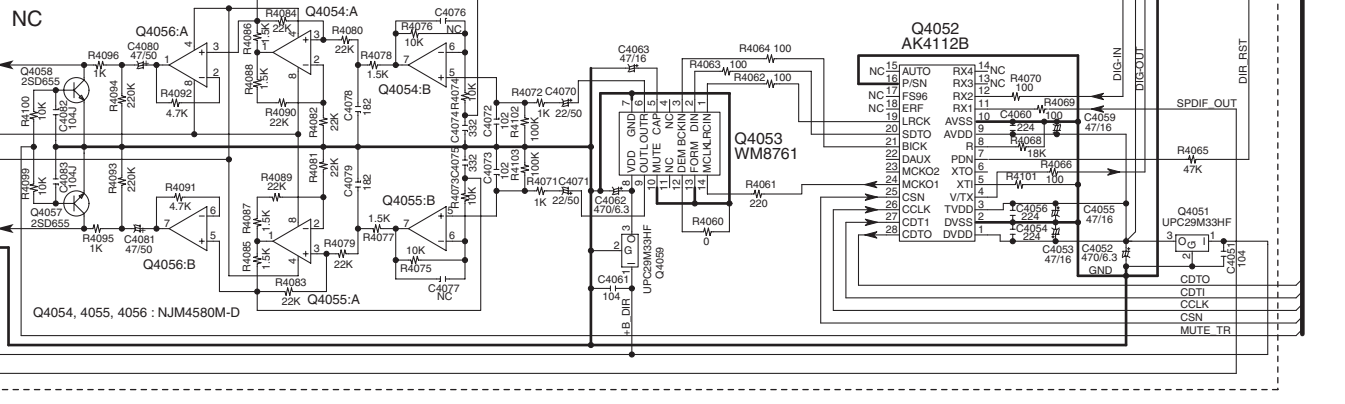
To NADG-8932 (SD-2 : E1)



NOTE

- THE COMPONENTS IDENTIFIED BY MARK Δ ARE CRITICAL FOR SAFETY REPLACE ONLY WITH PART NUMBER SPECIFIED.
- VOLTAGE (MEASURED WITH VOLTMETER) \square IS DC VOLTAGE.(NO INPUT SIGNAL).
- ALL PNP TRANSISTORS ARE EQUIVALENT TO 2SA1015-GR UNLESS OTHERWISE NOTED.
- ALL NPN TRANSISTORS ARE EQUIVALENT TO 2SC1815-GR UNLESS OTHERWISE NOTED.
- ALL DIODES ARE EQUIVALENT TO 1SS133 UNLESS OTHERWISE NOTED.
- ELECTROLYTIC CAPACITORS (\square) ARE IN μ F/WV.
- ALL CAPACITORS ARE IN pF/ \square UNLESS OTHERWISE NOTED.
EX) 030- 3pF 330- 33pF 331- 330pF 333- 0.033uF
- ALL RESISTORS ARE IN OHMS 1/4WATTS UNLESS OTHERWISE NOTED.
- THE THICK LINES ON PC BOARD ARE THE PRINTING SIDE OF THE PARTS.
EX) \square PRINTING SIDE
- CIRCUIT IS SUBJECT TO CHANGE FOR IMPROVEMENT.

<Note>
 NC = No mount of parts.
 SD-Z : XY
 Location of connected terminal in schematic diagrams.
 SD-Z = Schematic diagrams-Z. X = A to H, Y = 1 to 5.



A

B

C

D

SCHEMATIC DIAGRAMS-2

CD SECTION

1

To NADIS-8935 (SD-3 : D2)

To NAAR-8331 (SD-1 : A3)

NADG-8932

U02
CD PC BOARD

2

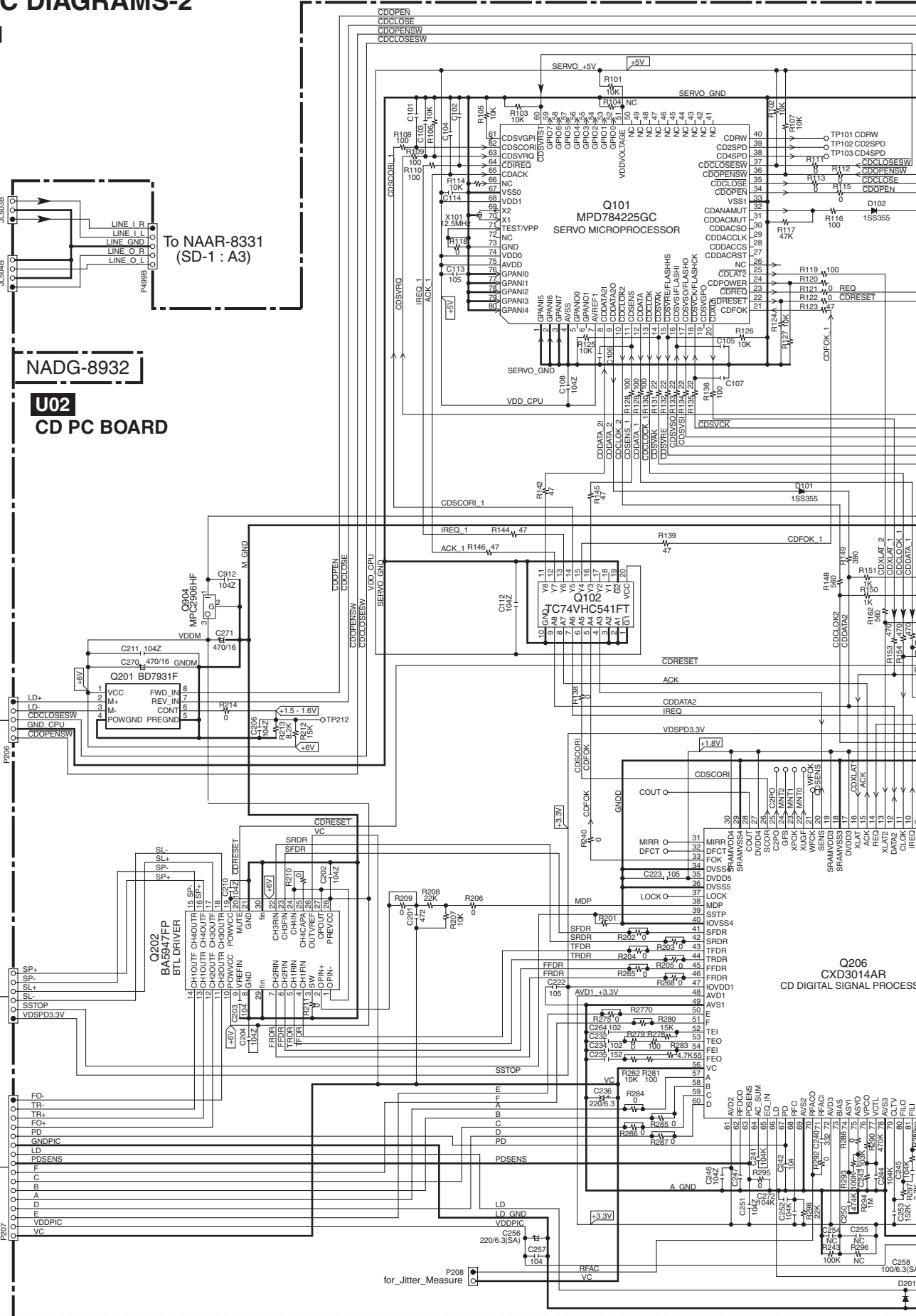
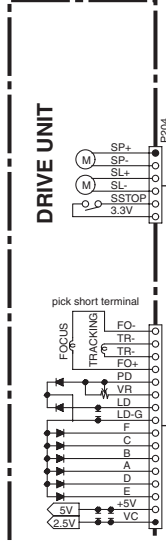
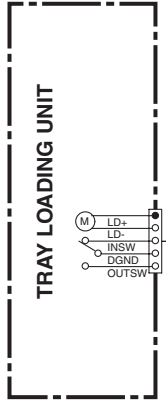
TRAY LOADING UNIT

DRIVE UNIT

3

4

5



P208 for Jitter_Measure

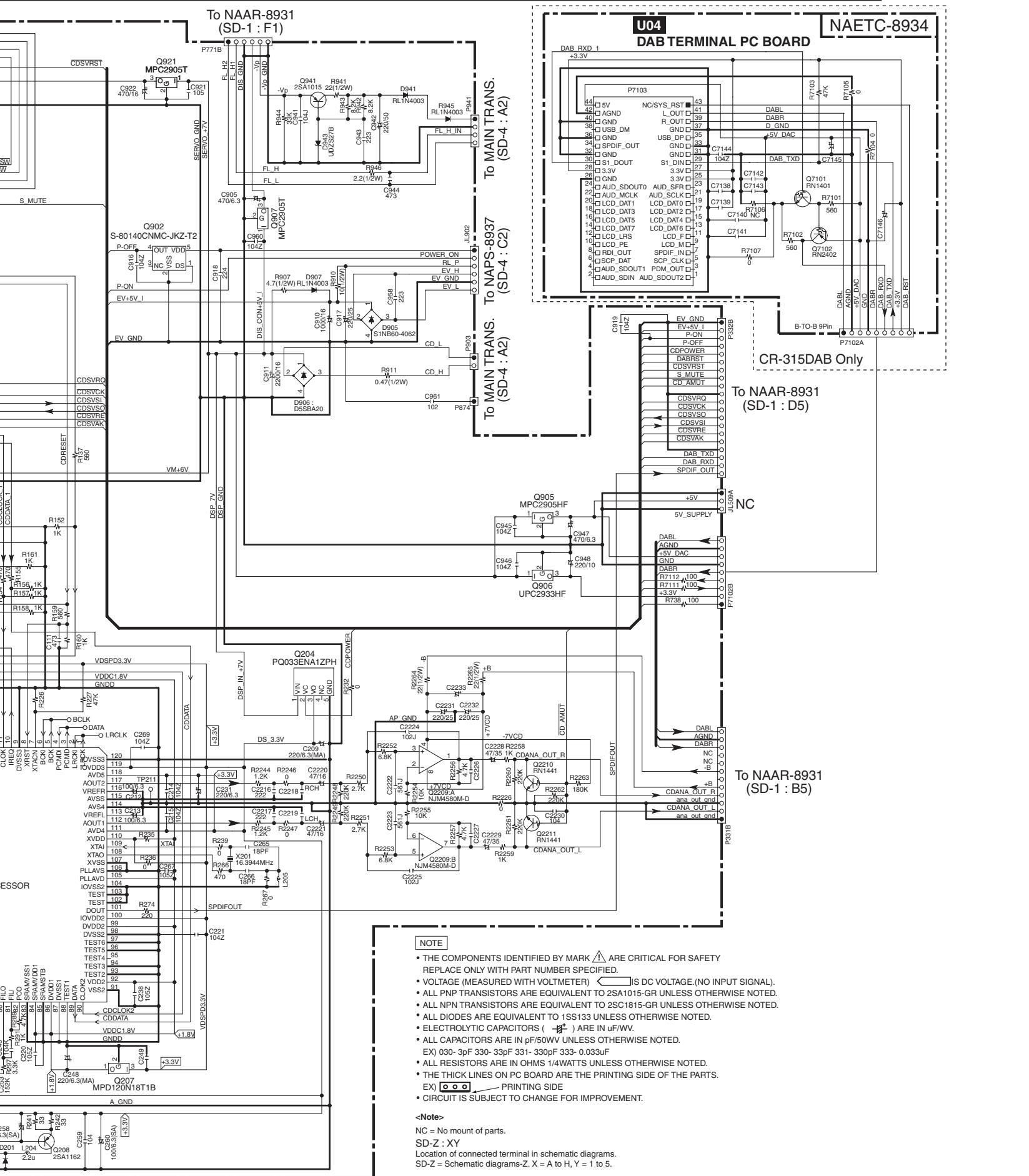
Q206
CXD3014AR
CD DIGITAL SIGNAL PROCESSOR

E

F

G

H



NOTE

- THE COMPONENTS IDENTIFIED BY MARK \triangle ARE CRITICAL FOR SAFETY REPLACE ONLY WITH PART NUMBER SPECIFIED.
- VOLTAGE (MEASURED WITH VOLTMETER) \leftarrow IS DC VOLTAGE.(NO INPUT SIGNAL).
- ALL PNP TRANSISTORS ARE EQUIVALENT TO 2SA1015-GR UNLESS OTHERWISE NOTED.
- ALL NPN TRANSISTORS ARE EQUIVALENT TO 2SC1815-GR UNLESS OTHERWISE NOTED.
- ALL DIODES ARE EQUIVALENT TO 1SS133 UNLESS OTHERWISE NOTED.
- ELECTROLYTIC CAPACITORS (---) ARE IN $\mu\text{F/WV}$.
- ALL CAPACITORS ARE IN pF/50VWV UNLESS OTHERWISE NOTED.
EX) 030- 3pF 330- 33pF 331- 330pF 333- 0.033uF
- ALL RESISTORS ARE IN OHMS 1/4WATTS UNLESS OTHERWISE NOTED.
- THE THICK LINES ON PC BOARD ARE THE PRINTING SIDE OF THE PARTS.
EX) --- PRINTING SIDE
- CIRCUIT IS SUBJECT TO CHANGE FOR IMPROVEMENT.

<Note>
 NC = No mount of parts.
 SD-Z : XY
 Location of connected terminal in schematic diagrams.
 SD-Z = Schematic diagrams-Z. X = A to H, Y = 1 to 5.

A

B

C

D

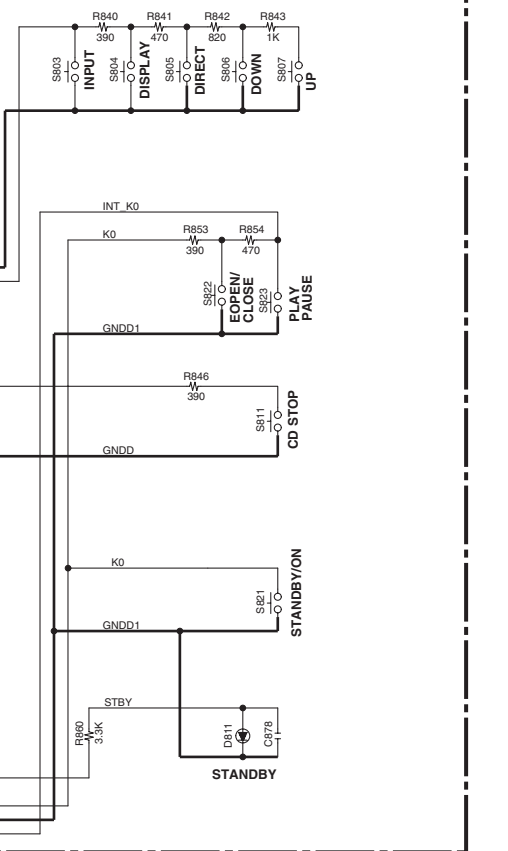
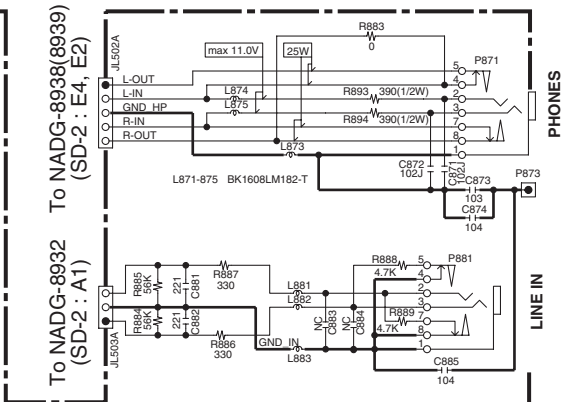
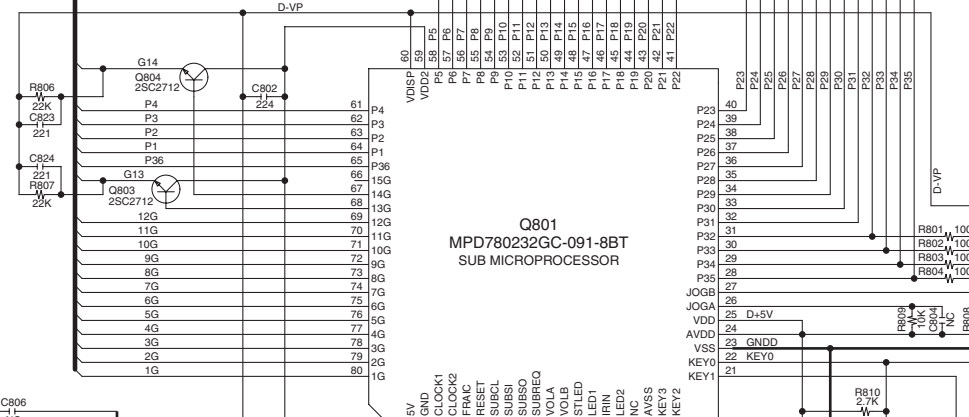
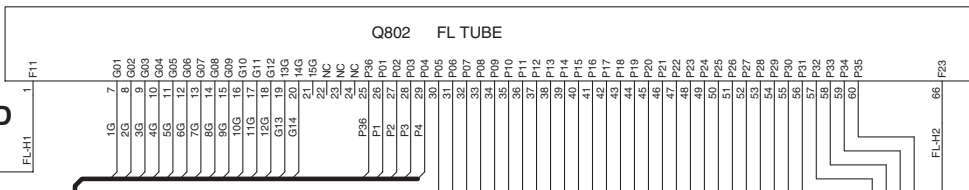
E

SCHEMATIC DIAGRAMS-3 DISPLAY SECTION

<Note>
NC = No mount of parts.
SD-Z : XY
Location of connected terminal in schematic diagrams.
SD-Z = Schematic diagrams-Z. X = A to H, Y = 1 to 5.

NADIS-8935

U05
DISPLAY PC BOARD



To NAAR-8931
(SD-1 : E1)

P7001
NC
FL-H2
FL-H1
-VP
VCD+5V
GND0
GND1
SUBRST
SUBCLK
SUBSI
SUBSO
SUBREO
EVSV
GND02
REMIN
STBYLED
K0
INT_K0
CN10

1

2

3

4

A B C D E

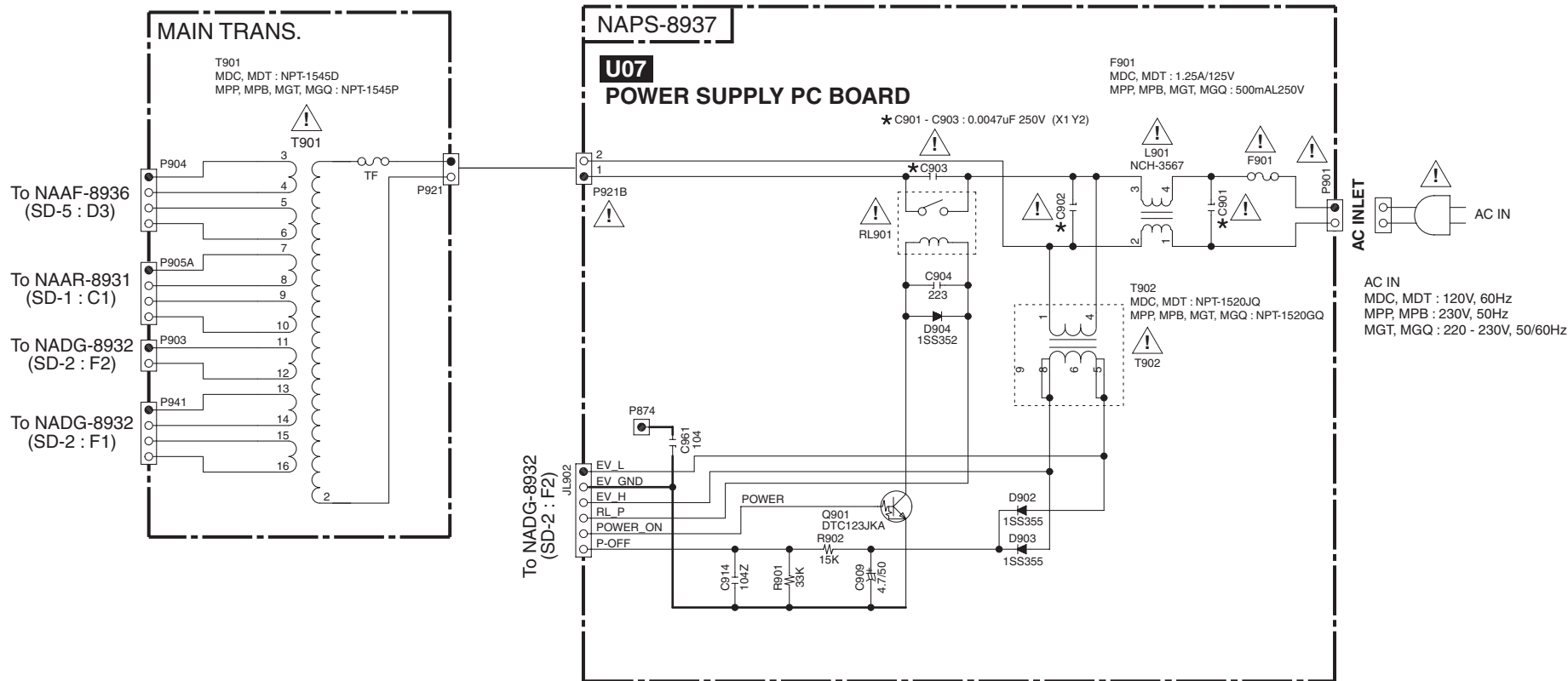
SCHEMATIC DIAGRAMS-4
POWER SUPPLY SECTION

1

2

3

4



NOTE

- THE COMPONENTS IDENTIFIED BY MARK ARE CRITICAL FOR SAFETY. REPLACE ONLY WITH PART NUMBER SPECIFIED.
- VOLTAGE (MEASURED WITH VOLTMETER) IS DC VOLTAGE. (NO INPUT SIGNAL).
- ALL PNP TRANSISTORS ARE EQUIVALENT TO 2SA1015-GR UNLESS OTHERWISE NOTED.
- ALL NPN TRANSISTORS ARE EQUIVALENT TO 2SC1815-GR UNLESS OTHERWISE NOTED.
- ALL DIODES ARE EQUIVALENT TO 1SS133 UNLESS OTHERWISE NOTED.
- ELECTROLYTIC CAPACITORS () ARE IN uF/WV.
- ALL CAPACITORS ARE IN pF/50WV UNLESS OTHERWISE NOTED.
EX) 030- 3pF 330- 33pF 331- 330pF 333- 0.033uF
- ALL RESISTORS ARE IN OHMS 1/4WATTS UNLESS OTHERWISE NOTED.
- THE THICK LINES ON PC BOARD ARE THE PRINTING SIDE OF THE PARTS.
EX) PRINTING SIDE
- CIRCUIT IS SUBJECT TO CHANGE FOR IMPROVEMENT.

<Note>

NC = No mount of parts.
SD-Z : XY
Location of connected terminal in schematic diagrams.
SD-Z = Schematic diagrams-Z. X = A to H, Y = 1 to 5.

CAUTION

FOR CONTINUED PROTECTION AGAINST FIRE HAZARD, REPLACE ONLY WITH FUSE OF SAME TYPE AND RATING INDICATED.



ATTENTION

AFIN D'ASSURER UNE PROTECTION PERMANENTE CONTRE LES RISQUES D'INCENDIE, REMPLACER UNIQUEMENT PAR UN FUSIBLE DE MEME TYPE ET CALIBRATION COMME INDIQUE.



THIS SYMBOL LOCATED NEAR THE FUSE INDICATES THAT THE FUSE USED IS SLOW OPERATING TYPE FOR CONTINUED PROTECTION AGAINST FIRE HAZARD, REPLACE WITH SAME TYPE FUSE. FOR FUSE RATING REFER TO THE MARKING ADJACENT TO THE SYMBOL.



CE SYMBOLE INDIQUE QUE LE FUSIBLE UTILISE EST E LENT. POUR UNE PROTECTION PERMANENTE, N'UTILISER QUE DES FUSIBLES DE MEME TYPE. CE DERNIER EST INDIQUE LA OU LE PRESENT SYMBOLE EST APPOSE.

A

B

C

D

E

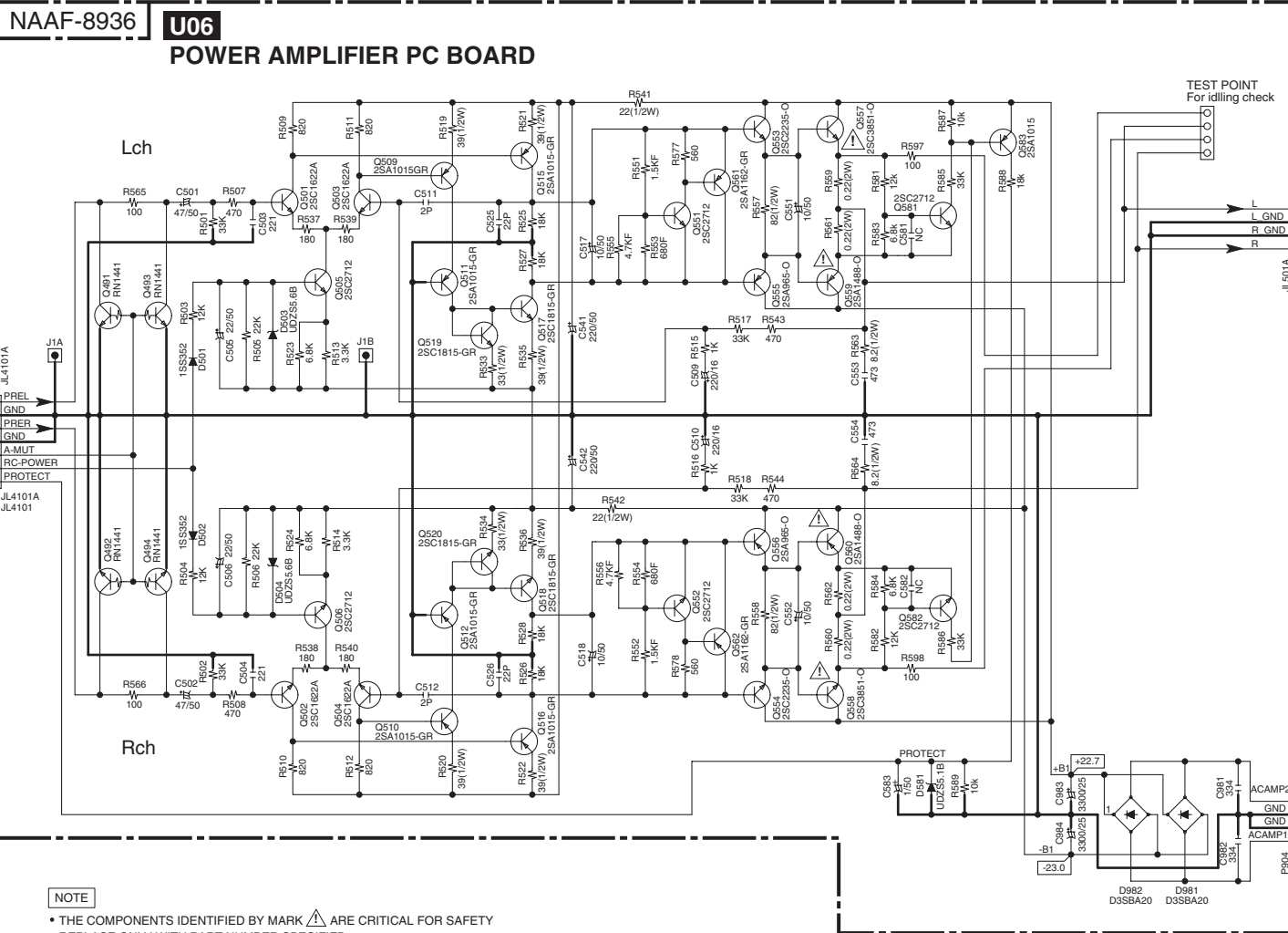
SCHEMATIC DIAGRAMS-5
POWER AMPLIFIER SECTION

1

2

3

4



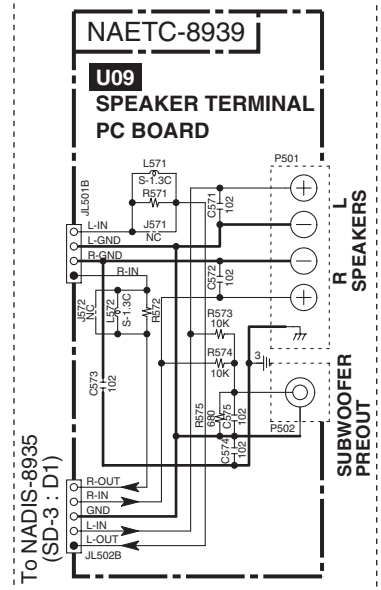
NOTE

- THE COMPONENTS IDENTIFIED BY MARK Δ ARE CRITICAL FOR SAFETY REPLACE ONLY WITH PART NUMBER SPECIFIED.
- VOLTAGE (MEASURED WITH VOLTMETER) \leftarrow IS DC VOLTAGE.(NO INPUT SIGNAL).
- ALL PNP TRANSISTORS ARE EQUIVALENT TO 2SA1015-GR UNLESS OTHERWISE NOTED.
- ALL NPN TRANSISTORS ARE EQUIVALENT TO 2SC1815-GR UNLESS OTHERWISE NOTED.
- ALL DIODES ARE EQUIVALENT TO 1SS133 UNLESS OTHERWISE NOTED.
- ELECTROLYTIC CAPACITORS (---) ARE IN $\mu\text{F}/\text{VW}$.
- ALL CAPACITORS ARE IN $\text{pF}/50\text{WV}$ UNLESS OTHERWISE NOTED.
EX) 030- 3pF 330- 33pF 331- 330pF 333- 0.033 μF
- ALL RESISTORS ARE IN OHMS 1/4WATTS UNLESS OTHERWISE NOTED.
- THE THICK LINES ON PC BOARD ARE THE PRINTING SIDE OF THE PARTS.
EX) \square PRINTING SIDE
- CIRCUIT IS SUBJECT TO CHANGE FOR IMPROVEMENT.

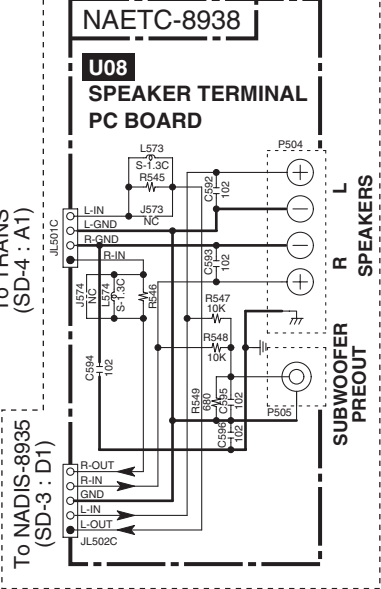
<Note>

NC = No mount of parts.
SD-Z : XY
Location of connected terminal in schematic diagrams.
SD-Z = Schematic diagrams-Z. X = A to H, Y = 1 to 5.

CR-315 MPP, MGT, MDT, MGQ type
CR-315DAB MPB type



CR-315 MDC type



To NADIS-8935 : (SD-3 : D1)

To TRANS (SD-4 : A1)

A

B

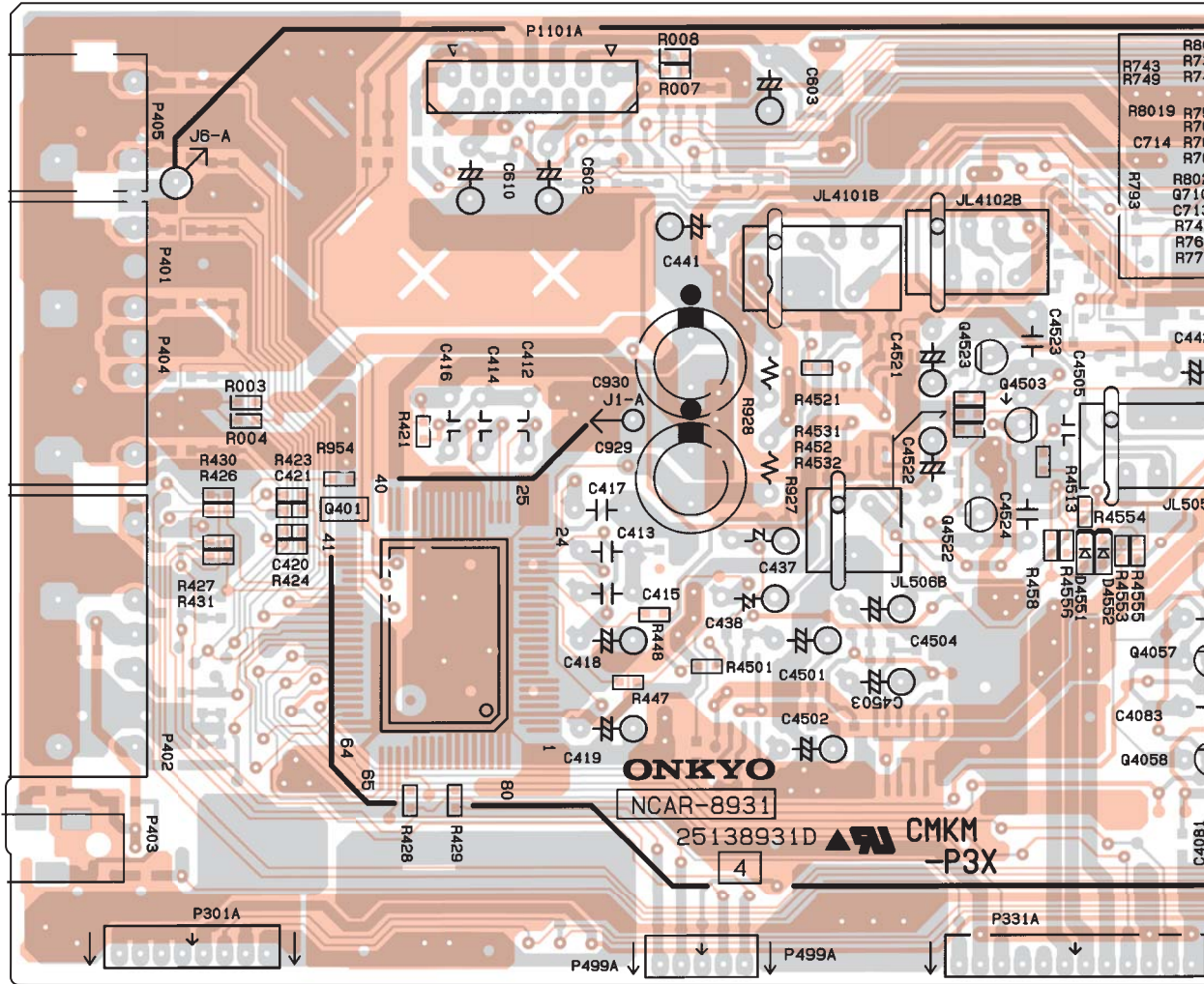
C

D

PRINTED CIRCUIT BOARD VIEWS-1

U01 PRE-AMPLIFIER PC BOARD (NAAR-8931)

Side-A



A

B

C

D

PRINTED CIRCUIT BOARD VIEWS-2

U01 PRE-AMPLIFIER PC BOARD (NAAR-8931)

Side-B

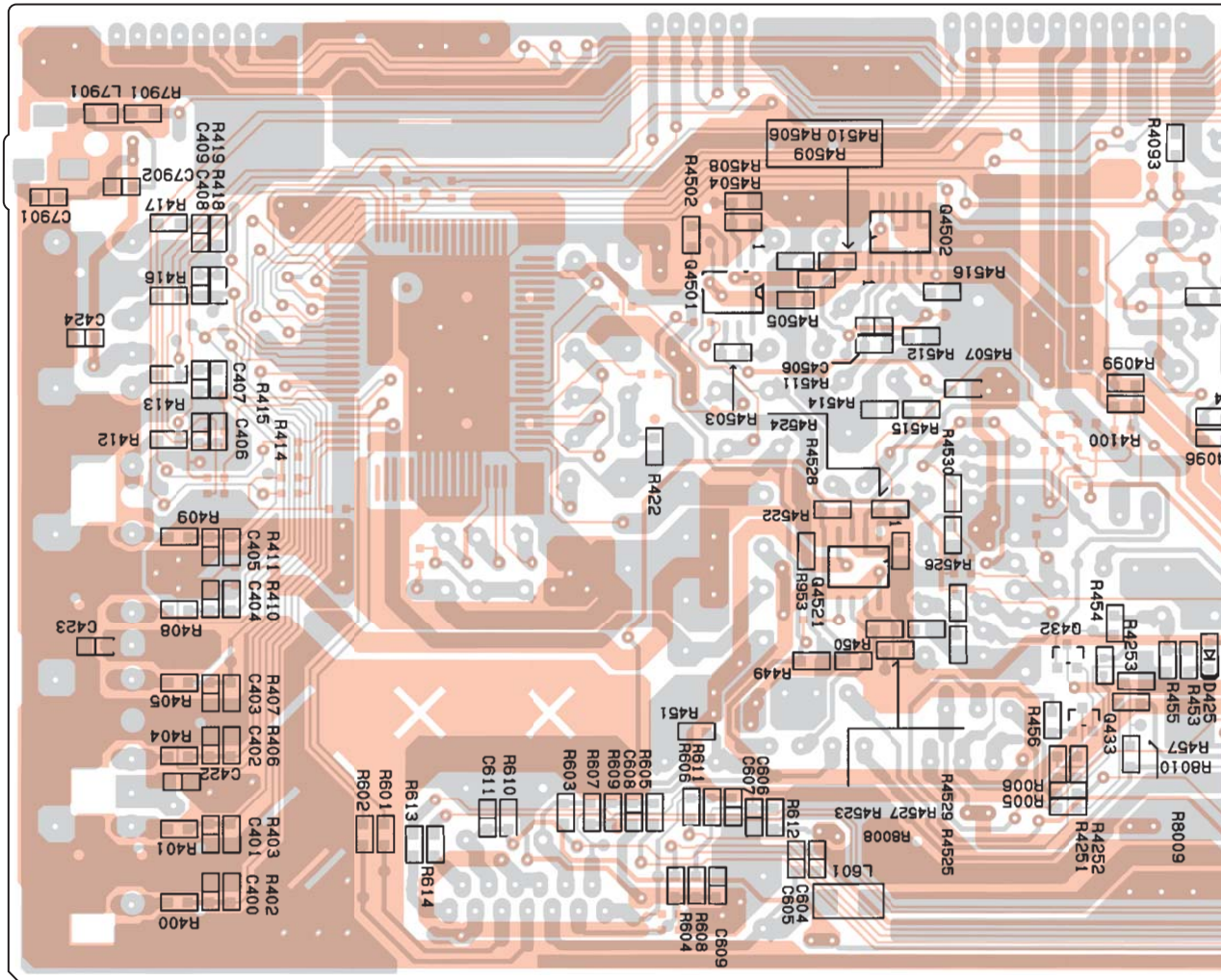
1

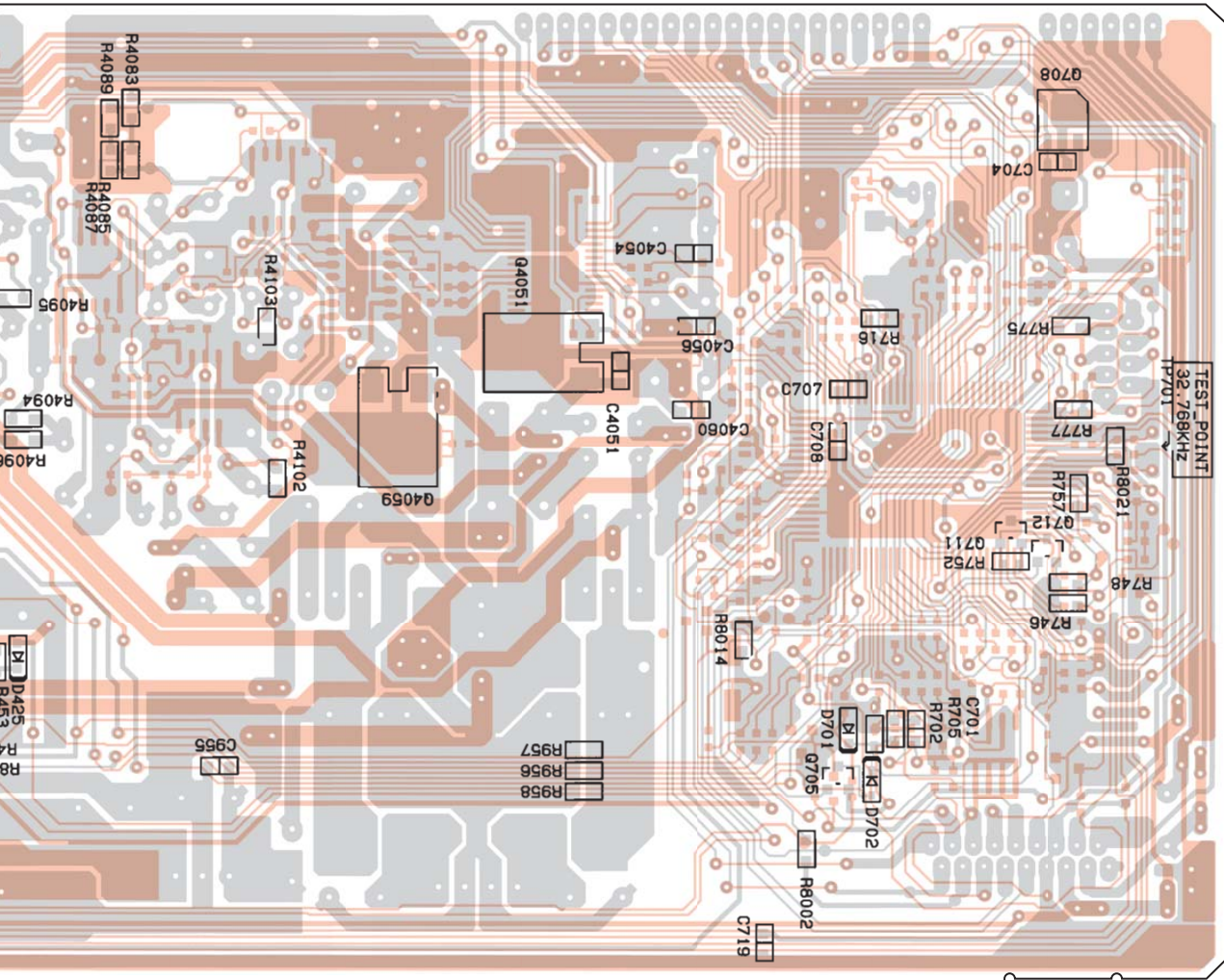
2

3

4

5





A

B

C

D

PRINTED CIRCUIT BOARD VIEWS-3

U02 CD PC BOARD (NADG-8932)

Side-A

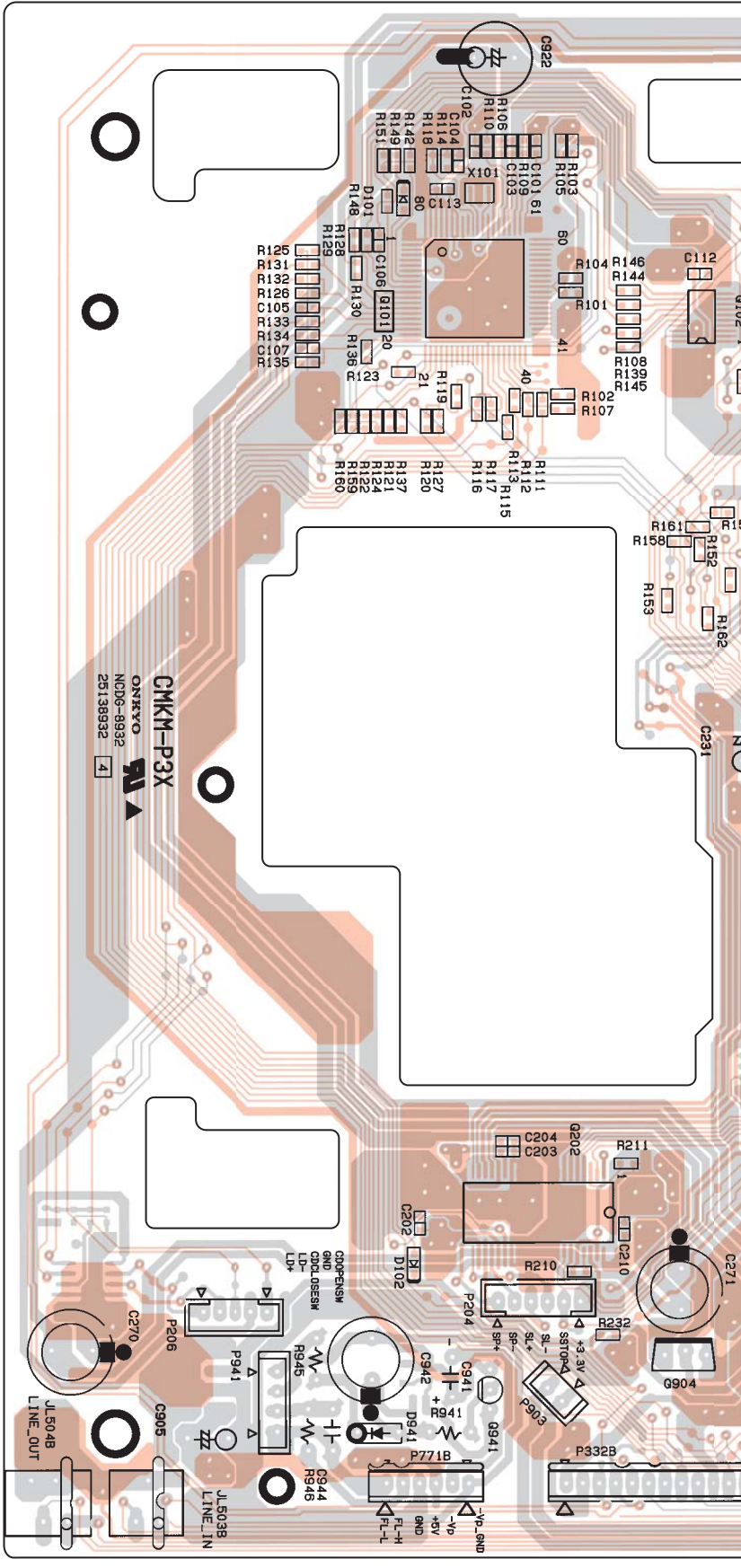
1

2

3

4

5



CMKM-P3X
 ONKEYO
 NADG-8932
 25138932 [4]

A

B

C

D

PRINTED CIRCUIT BOARD VIEWS-4

U02 CD PC BOARD (NADG-8932)

Side-B

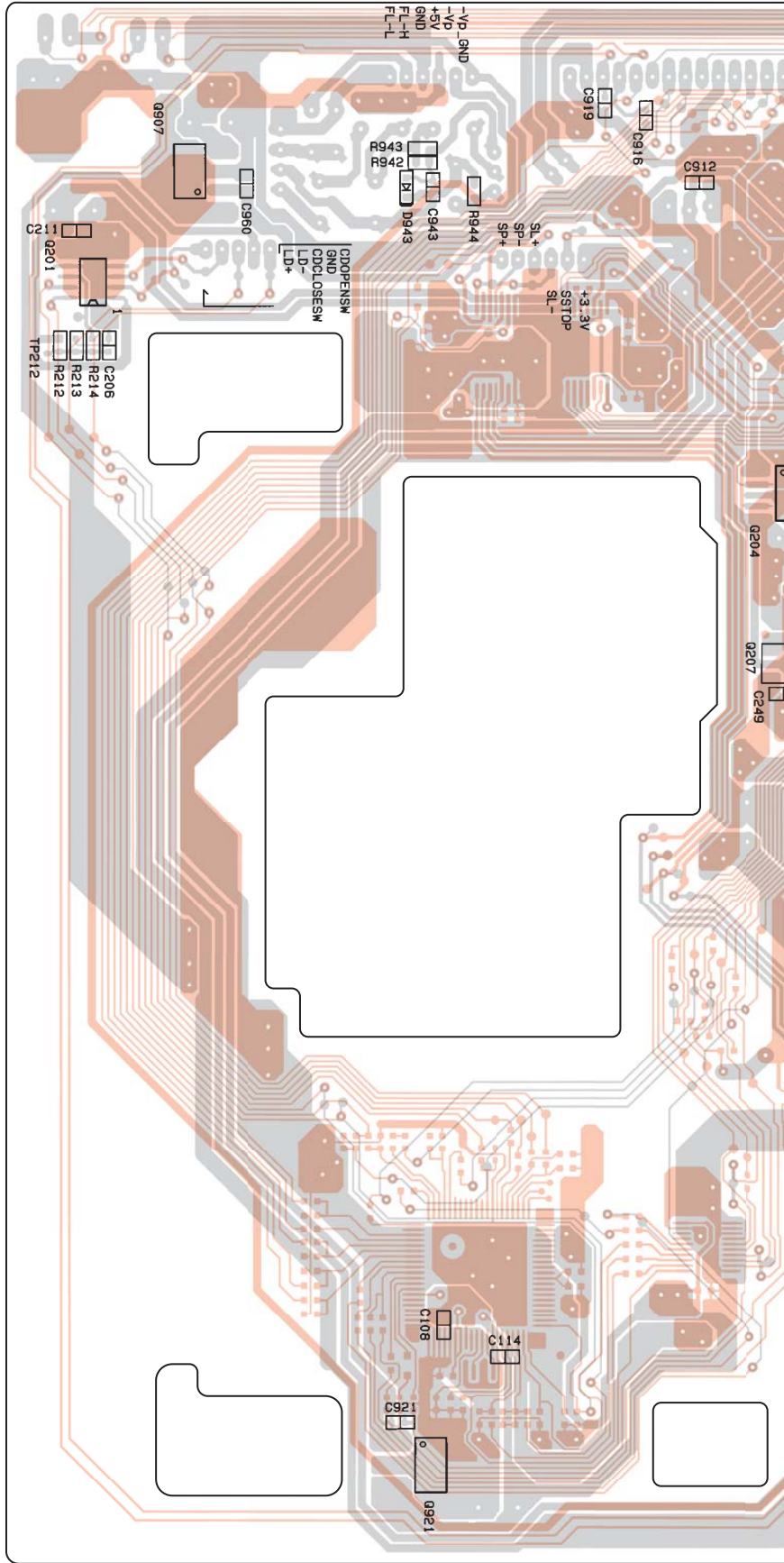
1

2

3

4

5



A

B

C

D

PRINTED CIRCUIT BOARD VIEWS-5

U04 DAB TERMINAL PC BOARD (NAETC-8934)

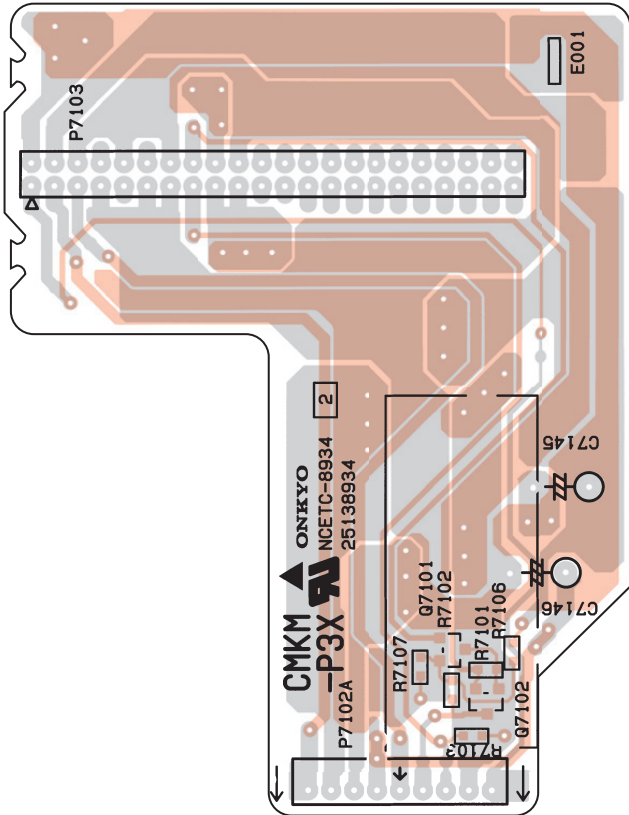
1

<Note> MPB type only

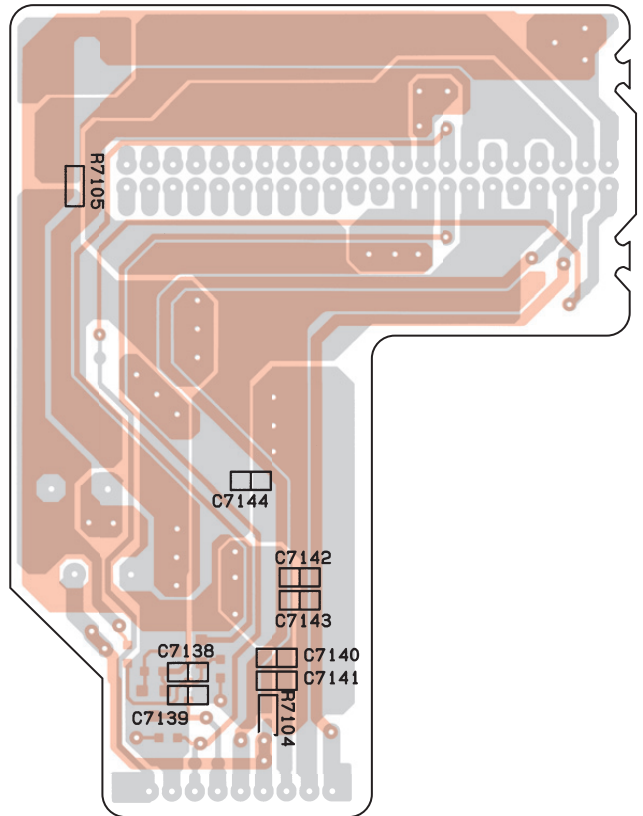
Side-A

Side-B

2



3



4

5

A

B

C

D

PRINTED CIRCUIT BOARD VIEWS-6

U05 DISPLAY PC BOARD (NADIS-8935)

Component side

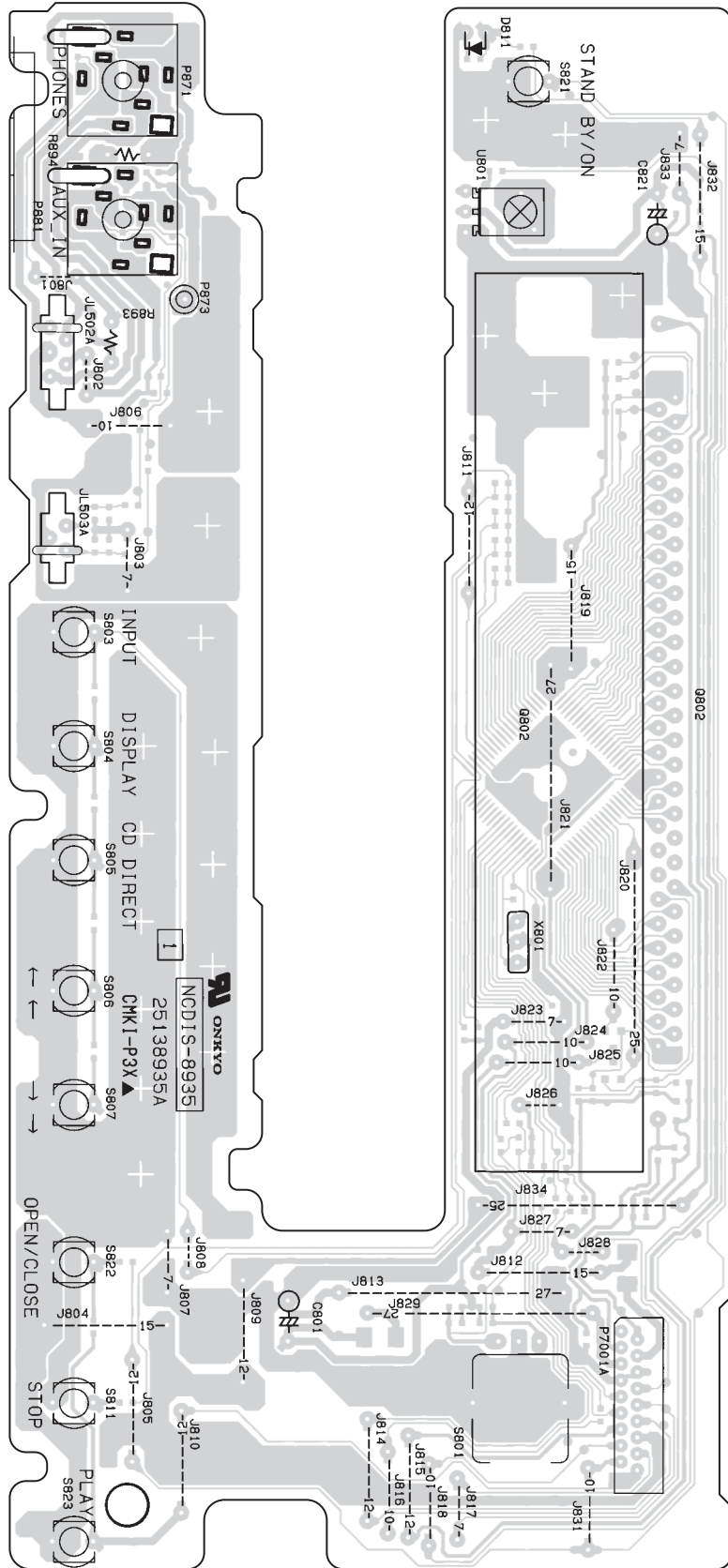
1

2

3

4

5



A

B

C

D

PRINTED CIRCUIT BOARD VIEWS-7

U05 DISPLAY PC BOARD (NADIS-8935)

Soldering side

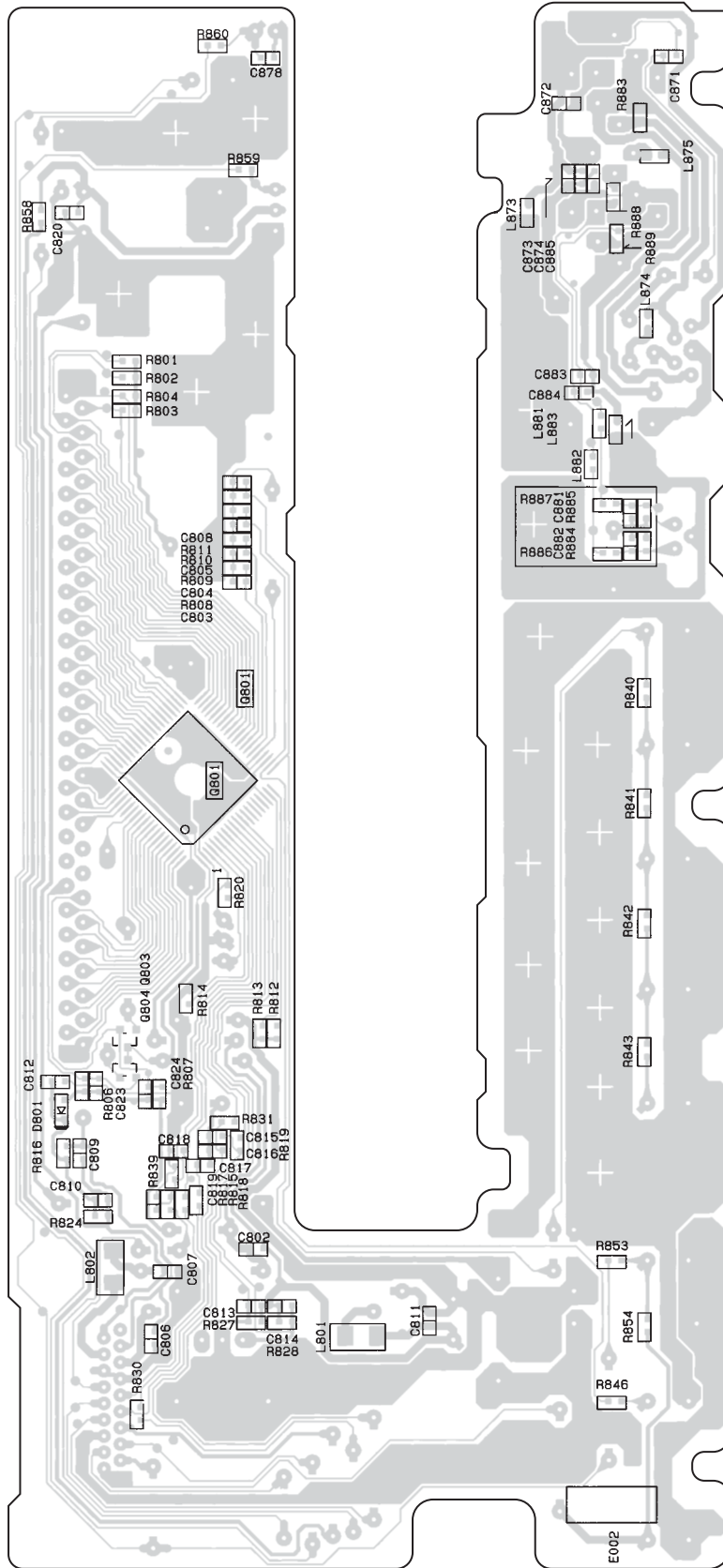
1

2

3

4

5



A

B

C

D

PRINTED CIRCUIT BOARD VIEWS-8

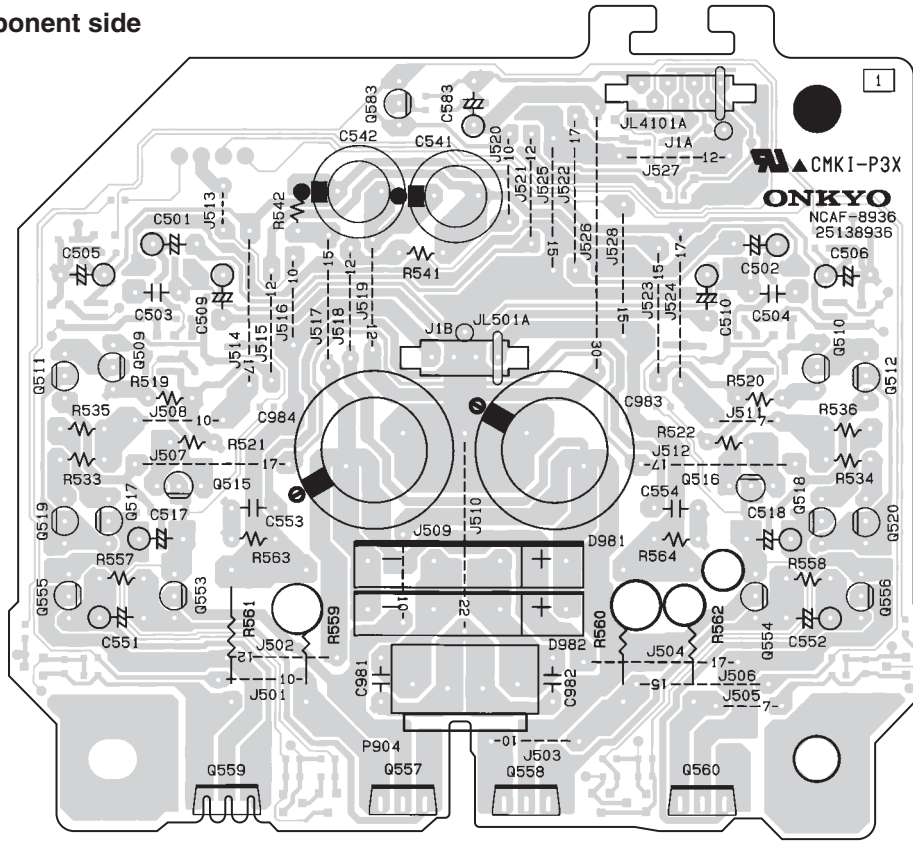
U06 POWER AMP PC BOARD (NAAF-8936)

Component side

1

2

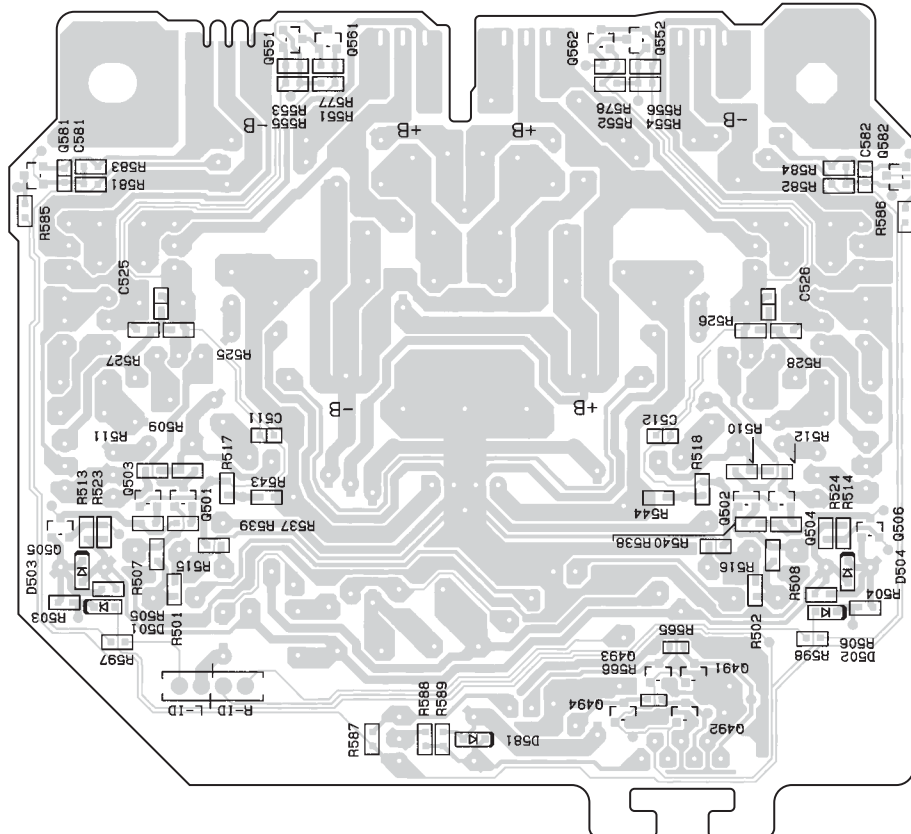
3



Soldering side

4

5



A

B

C

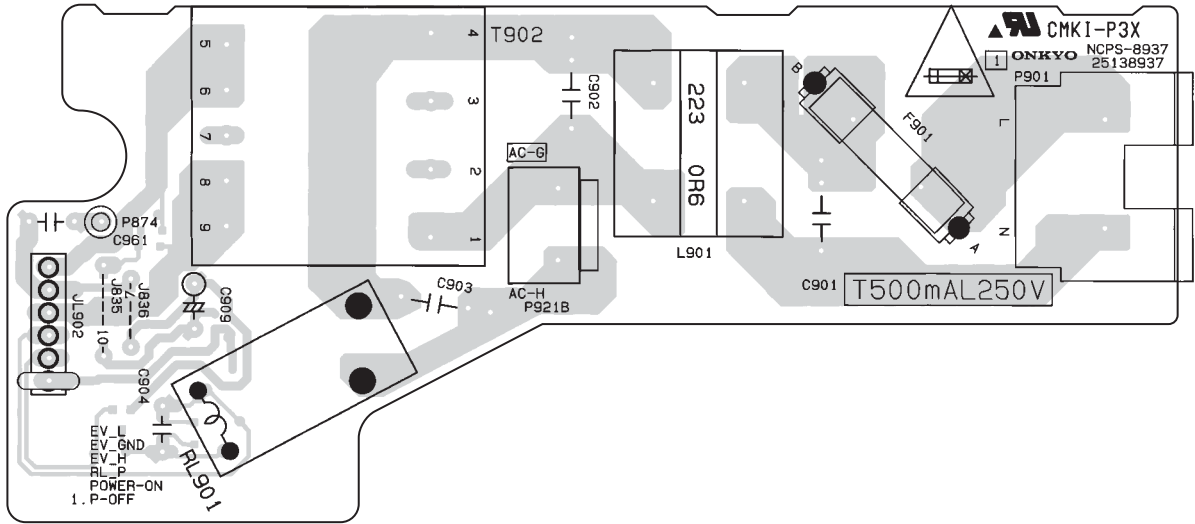
D

PRINTED CIRCUIT BOARD VIEWS-9

U07 POWER SUPPLY PC BOARD (NAPS-8937)

1

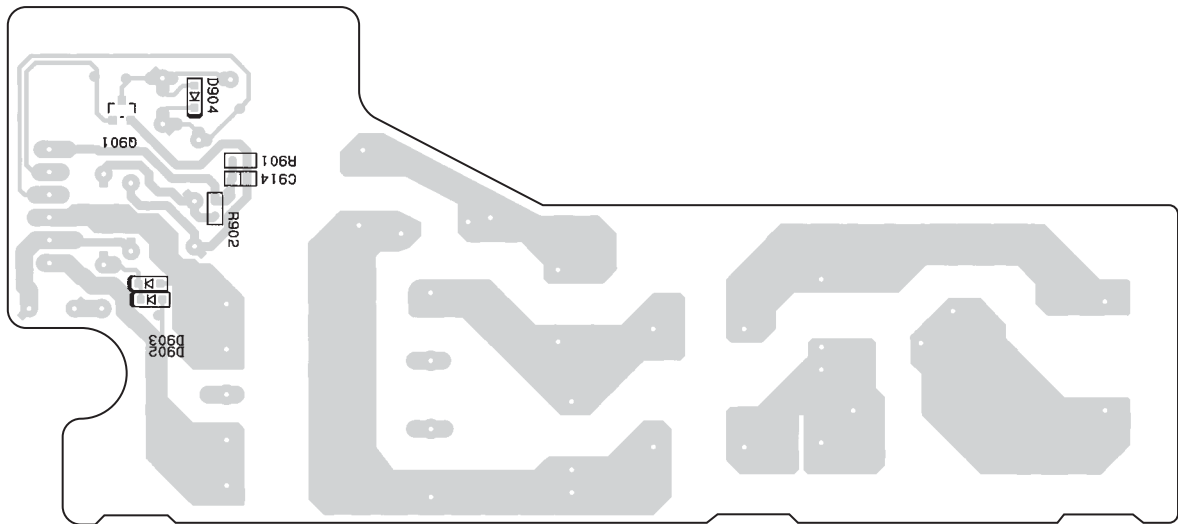
Component side



2

3

Soldering side



4

5

A

B

C

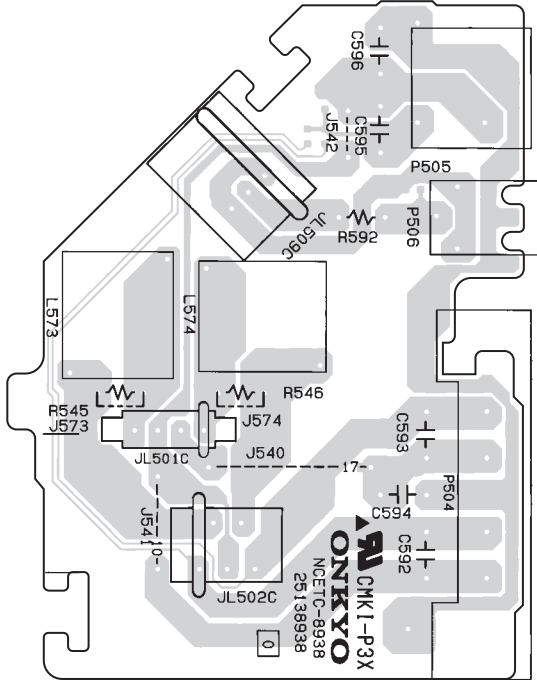
D

PRINTED CIRCUIT BOARD VIEWS-10

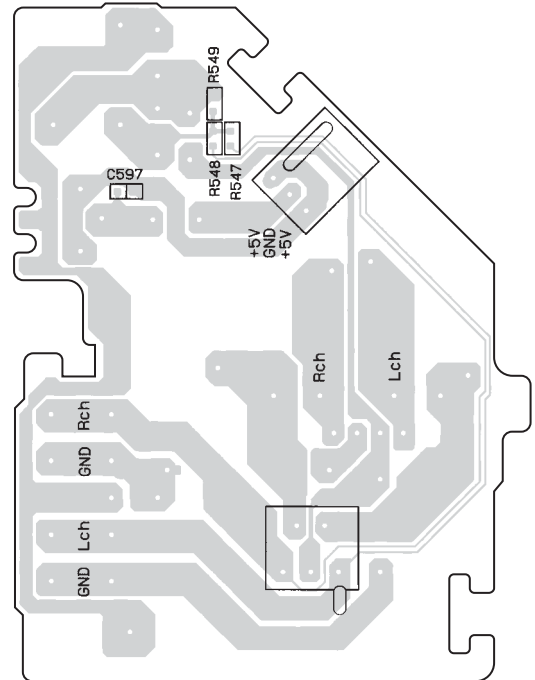
U08 SPEAKER TERMINAL PC BOARD (NAETC-8938)

<Notes> MDC type only

Component side



Soldering side



1

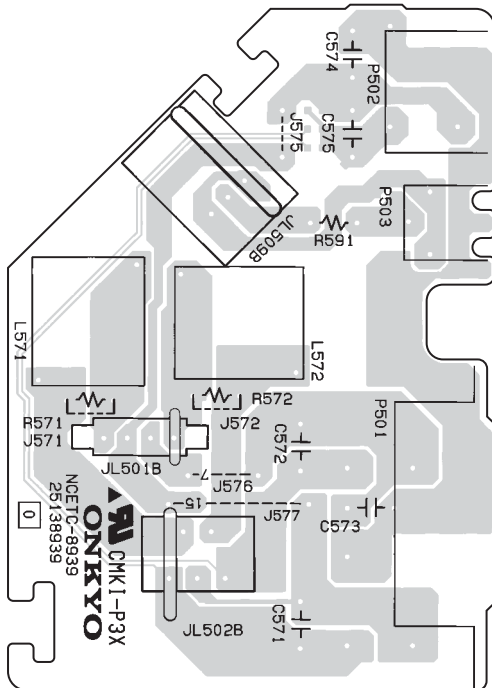
2

3

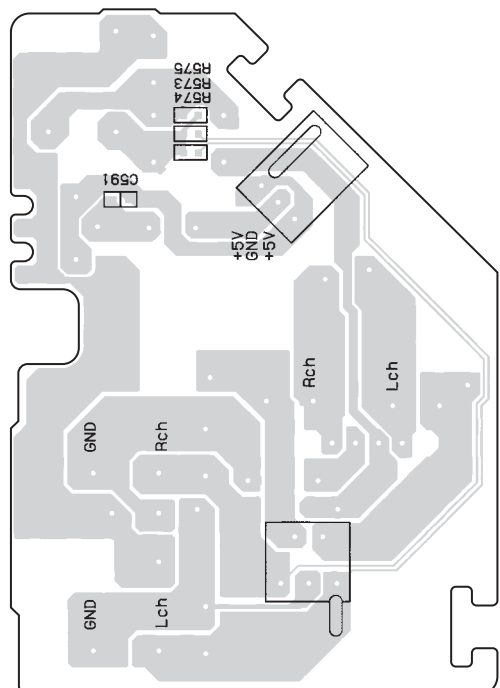
U09 SPEAKER TERMINAL PC BOARD (NAETC-8939)

<Notes> MPP, MGT, MDT, MGQ, MPB type only

Component side



Soldering side



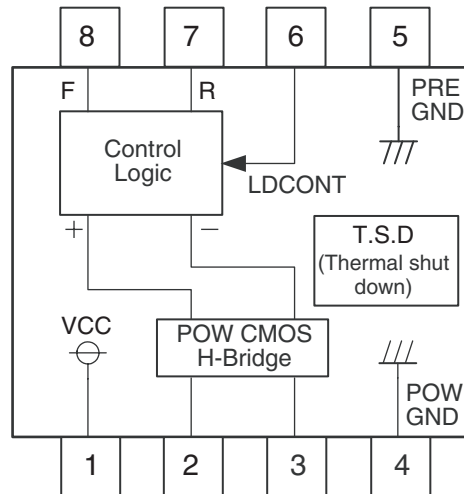
4

5

IC BLOCK DIAGRAMS AND TERMINAL DESCRIPTIONS-1

Q201 : BD5931F (1channel Loading Driver IC)

BLOCK DIAGRAM



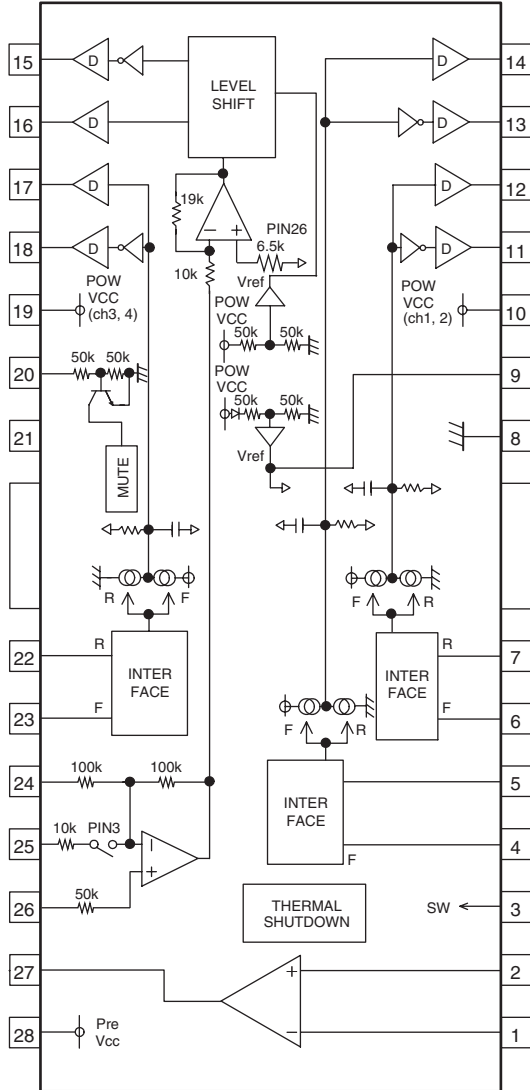
TERMINAL DESCRIPTION

PIN NO.	PIN NAME	DESCRIPTION
1	VCC	Power Supply Voltage
2	OUT+	Loading driver FWD output
3	OUT-	Loading driver REV output
4	GND	POWGND
5	GND_S	PREGND
6	CONT	Loading driver voltage setting terminal
7	RIN	Loading driver REV input
8	FIN	Loading driver FWD input

IC BLOCK DIAGRAMS AND TERMINAL DESCRIPTIONS-2

Q202 : BA5947FP (4ch BTL Driver)

BLOCK DIAGRAM



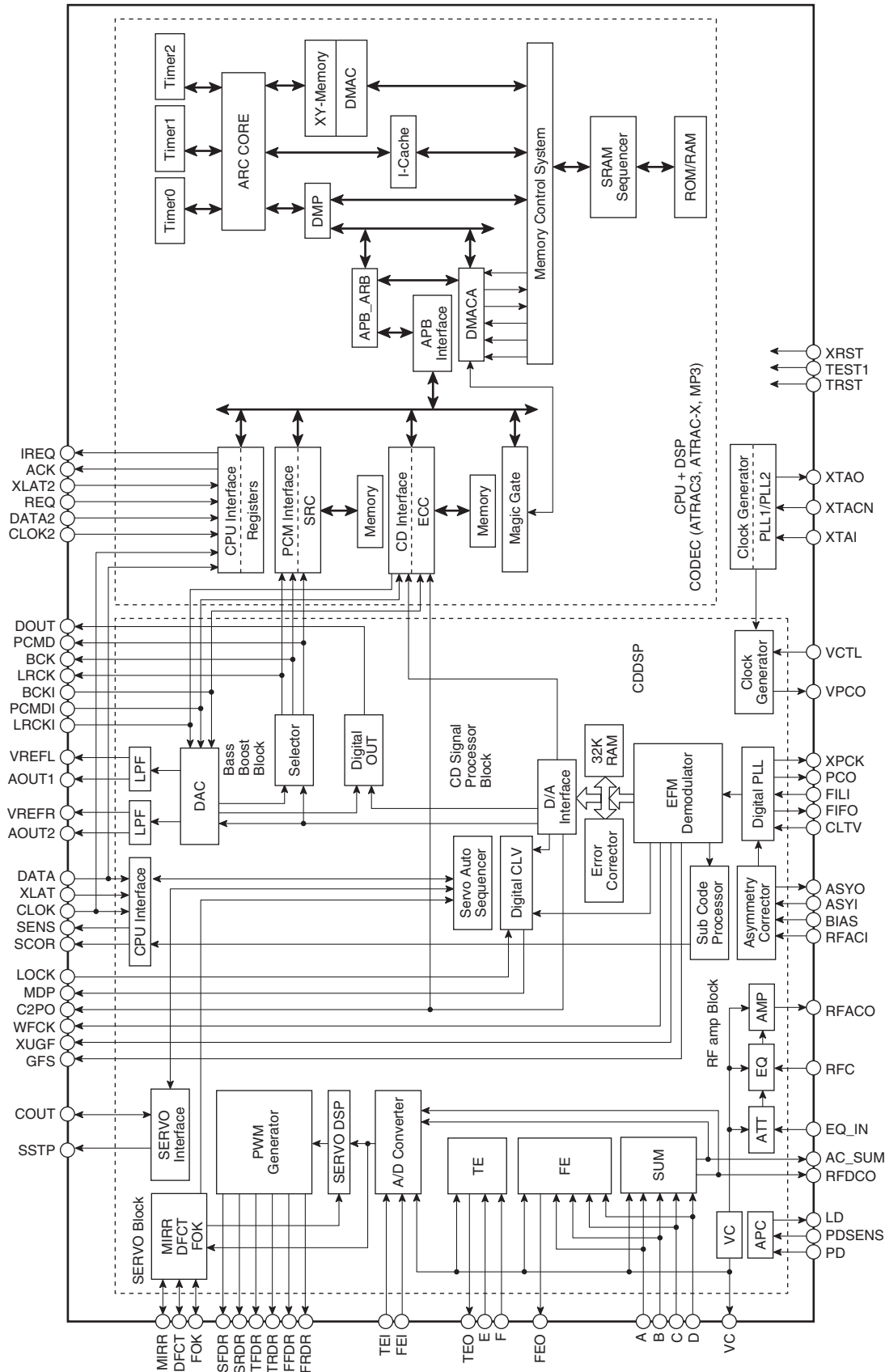
TERMINAL DESCRIPTION

No.	Pin Name	Description
1	OPIN-	Operational amplifier negative input terminal
2	OPIN+	Operational amplifier positive input terminal
3	SW	CH4 input selecting switch terminal
4	CH1FIN	CH1 PWM forward input
5	CH1RIN	CH1 PWM reverse input
6	CH2FIN	CH2 PWM forward input
7	CH2RIN	CH2 PWM reverse input
8	GND	GND
9	VREFIN	Internal Vref voltage input terminal
10	POWVCC	Power part power supply voltage (CH1, 2)
11	CH2OUTR	CH2 reverse output terminal
12	CH2OUTF	CH2 forward output terminal
13	CH1OUTR	CH1 reverse output terminal
14	CH1OUTF	CH1 forward output terminal
15	CH4OUTR	CH4 reverse output terminal
16	CH4OUTF	CH4 forward output terminal
17	CH3OUTF	CH3 reverse output terminal
18	CH3OUTR	CH3 forward output terminal
19	POWVCC	Power part power supply voltage (CH3, 4)
20	MUTE	Mute terminal
21	GND	GND
22	CH3RIN	CH3 PWM reverse input
23	CH3FIN	CH3 PWM forward input
24	CH4IN	CH4 input terminal
25	CH4CAPA	CH4 external CAPA connection terminal
26	OUTVREF	CH4 external reference voltage input terminal
27	OPOUT	Operational amplifier output terminal
28	PREVCC	Pre-part power supply voltage

IC BLOCK DIAGRAMS AND TERMINAL DESCRIPTIONS-3

Q206 : CXD3014R (CD Digital Signal Processor with Built-in RF Amplifier and Digital Servo + Digital High & Bass Boost + CODEC)-1/4

BLOCK DIAGRAM



IC BLOCK DIAGRAMS AND TERMINAL DESCRIPTIONS-4

Q206 : CXD3014R (CD Digital Signal Processor with Built-in RF Amplifier and Digital Servo + Digital High & Bass Boost + CODEC)-2/4

TERMINAL DESCRIPTION

Pin No.	Pin name	I/O	Description
1	LRCK	O	LR clock output.
2	LRCKI	I	LR clock input.
3	PCMD	O	PCMD data output.
4	PCMDI	I	PCMD data input.
5	BCK	O	BCK data output.
6	BCKI	I	BCK data input.
7	XTACN	I	Oscillation circuit control. Self-oscillation when high, oscillation stop when low.
8	XRST	I	System reset. Reset when low.
9	DVss3	---	Internal digital GND.
10	IREQ	O	ARC → Interrupt to microprocessor.
11	CLOK	I	CPU I/F ARC(CLK)
12	DATA2	I/O	CPU I/F ARC(DATA)
13	XLAT2	I	Codec latch signal.
14	REQ	I	CPU I/F ARC (REQ).
15	ACK	O	CPU I/F ARC (ACK).
16	XLAT	I	CDDSP control latch signal.
17	DVDD3	---	Internal digital power supply.
18	DVss8	---	Internal digital GND.
19	DVDD8	---	Internal digital power supply.
20	SENS	O	SENS output to CPU.
21	WFCK	O	WFCK output.
22	XUGF	O	XUGF output. Output MNT0, RFCK, SOUT by command switch.
23	XPCK	O	XPCK output. Output MNT1, SOCK by command switch.
24	GFS	O	GFS output. Output MNT2, XROF, XOLT by command switch.
25	C2PO	O	C2PO output. Output MNT3, GTOP by command switch.
26	SCOR	O	High output when the subcode sync, S0 or S1, is detected.
27	DVDD4	---	Digital power supply.
28	COUT	I/O	Track number count signal input/output.
29	DVss9	---	Internal digital GND.
30	DVDD9	---	Internal digital power supply.
31	MIRR	I/O	Mirror signal input/output.
32	DFCT	I/O	Defect signal input/output.
33	FOK	I/O	Focus OK signal input/output.
34	DVss4	---	Internal digital GND.
35	DVDD5	---	Internal digital power supply.
36	DVss5	---	Internal digital GND.
37	LOCK	I/O	GFS is sampled at 460Hz; when GFS is high, this pin outputs a high signal. If GFS is low eight consecutive samples, this pin outputs low. Or input when LKIN = "1".
38	MDP	O	Spindle motor servo control output.
39	SSTP	I	Disc innermost detection signal input.
40	IOVss1	---	I/O digital GND.
41	SFDR	O	Sled drive output.
42	SRDR	O	Sled drive output.

IC BLOCK DIAGRAMS AND TERMINAL DESCRIPTIONS-5

Q206 : CXD3014R (CD Digital Signal Processor with Built-in RF Amplifier and Digital Servo + Digital High & Bass Boost + CODEC)-3/4

TERMINAL DESCRIPTION (Continued)

Pin No.	Pin name	I/O	Description
43	TFDR	O	Tracking drive output.
44	TRDR	O	Tracking drive output.
45	FFDR	O	Focus drive output.
46	FRDR	O	Focus drive output.
47	IOV _{DD1}	---	I/O digital power supply.
48	AVD1	---	Analog power supply.
49	AVS1	---	Analog GND.
50	E	I	E signal input.
51	F	I	F signal input.
52	TEI	I	Tracking error signal input to DSSP block or F input.
53	TEO	O	Tracking error signal output from RF amplifier block.
54	FEI	I	Focus error signal input to DSSP block or A input.
55	FEO	O	Focus error signal output form RF amplifier block.
56	VC	I/O	Center voltage output from RF amplifier block. Center voltage input to DSSP block by command switch.
57	A	I	A signal input.
58	B	I	B signal input.
59	C	I	C signal input.
60	D	I	D signal input.
61	AVD2	---	Analog power supply.
62	RFDCO	I/O	RFDC signal output. RFDC signal input to DSSP block by command switch.
63	PDSSENS	I	Reference voltage pin for PD.
64	AC_SUM	O	RFAC summing amplifier output.
65	EQ_IN	I	Equalizer circuit input.
66	LD	O	APC amplifier output.
67	PD	I	APC amplifier input.
68	RFC	I	Equalizer cut-off frequency adjustment pin.
69	AVS2	---	Analog GND.
70	RFACO	O	RFAC signal output.
71	RFACI	I	RFAC signal input or EFM signal input.
72	AVD3	---	Analog power supply.
73	BIAS	I	Asymmetry circuit constant current input.
74	ASYI	I	Asymmetry comparator voltage input.
75	ASYO	O	EFM full-swing output. (Low = V _{SS} , High = V _{DD})
76	VPCO	O	Wide-band EFM PLL charge pump output.
77	VCTL	I	Wide-band EFM PLL VCO2 control voltage input.
78	AVS3	---	Analog GND.
79	CLTV	I	Multiplier VCO1 control voltage input.
80	FILO	O	Master PLL (slave = digital PLL) filter output.
81	FILI	I	Master PLL filter input.
82	PCO	O	Master PLL charge pump output.
83	DV _{SS6}	---	Internal digital GND.
84	DV _{DD6}	---	Internal digital power supply.
85	SRAMSTB	I	Normally low.
86	DV _{DD1}	---	Internal digital power supply.
87	DV _{SS1}	---	Internal digital GND.

IC BLOCK DIAGRAMS AND TERMINAL DESCRIPTIONS-6

Q206 : CXD3014R (CD Digital Signal Processor with Built-in RF Amplifier and Digital Servo + Digital High & Bass Boost + CODEC)-4/4

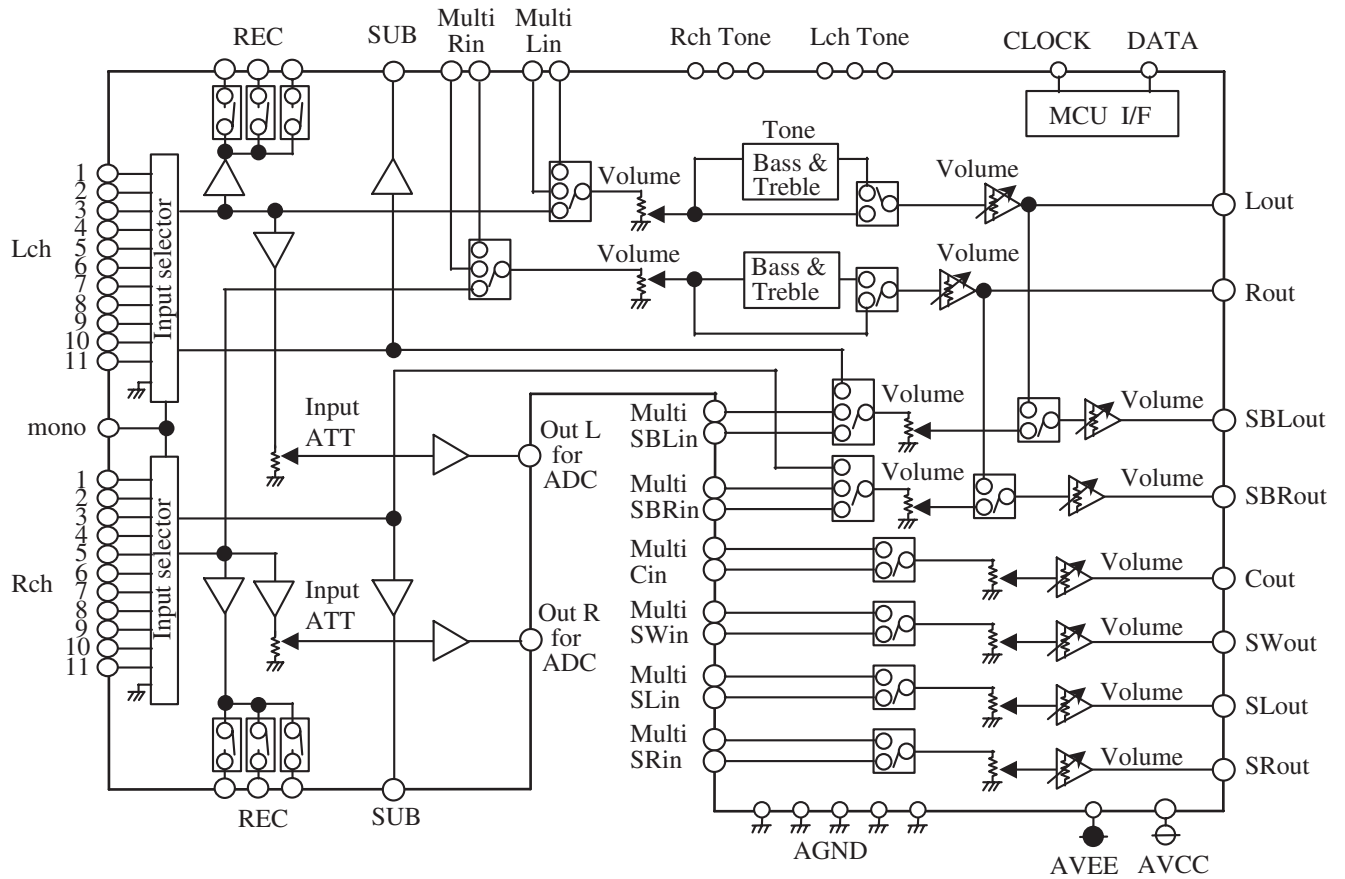
TERMINAL DESCRIPTION (Continued)

Pin No.	Pin name	I/O	Description
88	TEST1	I	Test mode set.
89	DATA	I/O	CPU I/F ARC (DATA).
90	CLOK2	I	CPU I/F ARC (CLK).
91	DVss7	---	Internal digital GND.
92	DVDD7	---	Internal digital power supply.
93	TEST2	I	Test pin. Normally GND.
94	TEST3	I	Test pin. Normally GND.
95	TEST4	O	Open.
96	TEST5	I	Test pin. Normally GND.
97	TEST6	I	Test pin. Normally GND.
98	DVss2	---	Internal digital GND.
99	DVDD2	---	Internal digital power supply.
100	IOVDD2	---	I/O digital power supply.
101	DOUT	O	Digital Out output.
102	TEST	I	Test pin. Normally GND.
103	TES1	I	Test pin. Normally GND.
104	IOVss2	---	I/O digital GND.
105	PLLAVD	---	PLL cell power supply.
106	PLLAVS	---	PLL cell GND.
107	XVss	---	Master clock GND.
108	XTAO	O	Crystal oscillation circuit output.
109	XTAI	I	Crystal oscillation circuit input.
110	XVDD	---	Master clock power supply.
111	AVD4	---	Analog power supply.
112	AOUT1	O	Lch analog output.
113	VREFL	O	Lch reference voltage.
114	AVS4	---	Analog GND.
115	AVS5	---	Analog GND.
116	VREFR	O	Rch reference voltage.
117	AOUT2	O	Rch analog output.
118	AVD5	---	Analog power supply.
119	IOVDD3	---	I/O digital power supply.
120	IOVss3	---	I/O digital GND.

IC BLOCK DIAGRAMS AND TERMINAL DESCRIPTIONS-7

Q401 : R2S15211FP (8 ch Electronic Volume and 11 Input Selector and Tone Control)-1/3

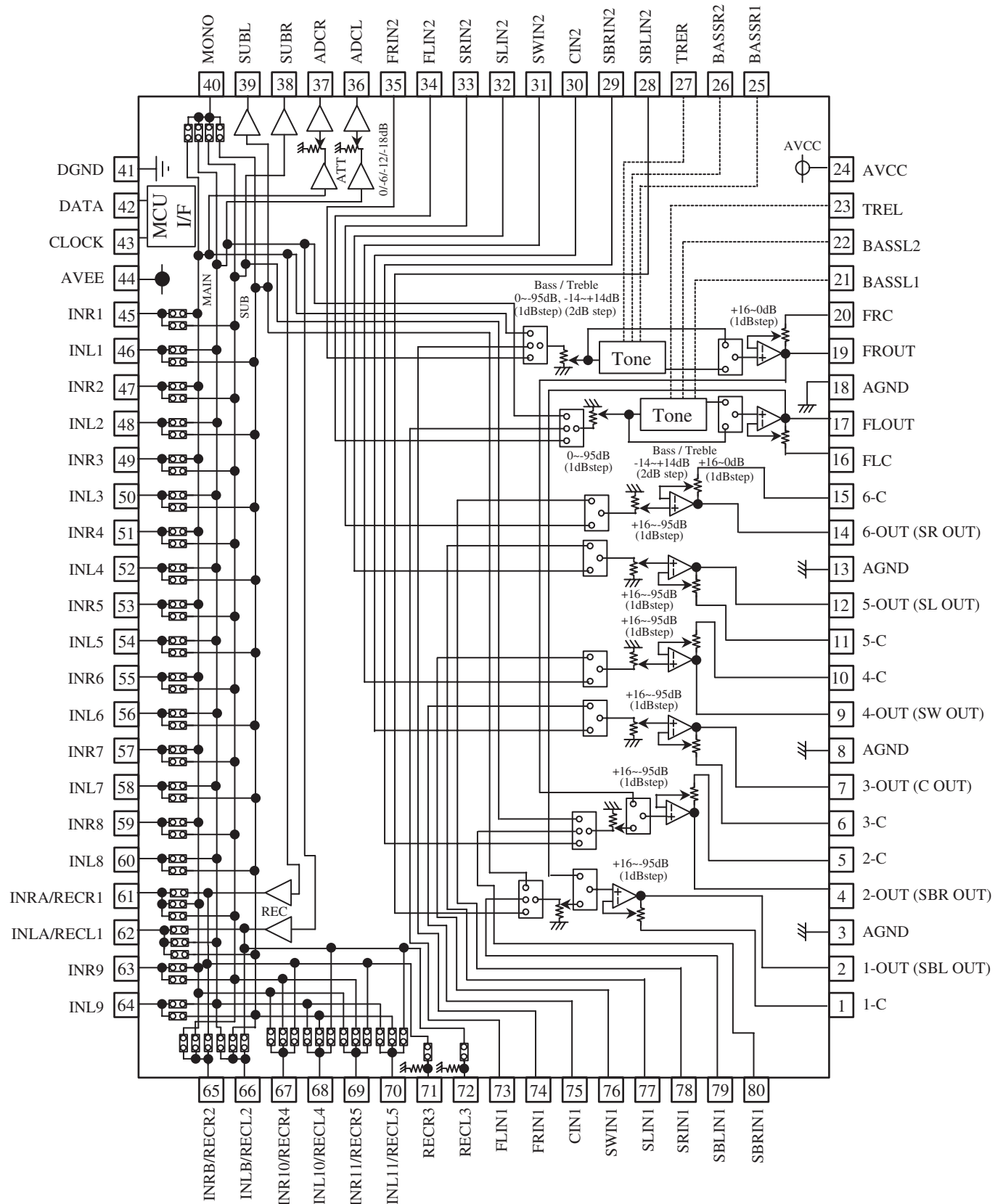
SYSTEM BLOCK DIAGRAM



IC BLOCK DIAGRAMS AND TERMINAL DESCRIPTIONS-8

Q401 : R2S15211FP (8 ch Electronic Volume and 11 Input Selector and Tone Control)-2/3

BLOCK DIAGRAM AND PIN CONFIGURATION



IC BLOCK DIAGRAMS AND TERMINAL DESCRIPTIONS-9

Q401 : R2S15211FP (8 ch Electronic Volume and 11 Input Selector and Tone Control)-3/3

TERMINAL DESCRIPTION

PIN No.	Name	Function
19,17, 14,12, 9,7, 4,2	FROUT,FLOUT, 6-OUT,5-OUT, 4-OUT, 3-OUT, 2-OUT,1-OUT	Output pin of FL/FR/C/SW/SL/SR/SBL/SBR channel
20,16, 15,11, 10,6, 5,1	FRC,FLC, 6-C,5-C, 4-C,3-C, 2-C,1-C	Connects capacitor for reducing click noise of L/R/C/SW/SL/SR/SBL/SBR channel volume
3,8, 13,18	AGND	Analog ground of internal circuit
23,27	TREL, TRER	Frequency characteristic setting pin of L/R channel tone control(Treble)
21,22, 25,26	BASSL1, BASSL2 BASSR1, BASSR2	Frequency characteristic setting pin of L/R channel tone control(Bass)
24	AVCC	Positive power supply to internal circuit
35,34, 33,32, 31,30, 29,28	FRIN2, FLIN2, SRN2,SLIN2, SWIN2,CIN2, SBRIN2,SBLIN2	Input pin of L/R/C/SW/SL/SR/SBL/SBR channel (Multi IN 1/2)
73,74, 75,76, 77,78, 79,80	FLIN1, FRIN1, CIN1,SWIN1, SLIN1,SRIN1, SBLIN1,SBRIN1	
41	DGND	Digital ground of internal circuit
42	DATA	Input pin of control data
43	CLOCK	Input pin of control clock
44	AVEE	Negative power supply to internal circuit
46,48,50, 52,54,56, 58,60,64	INL1, INL2, INL3, INL4, INL5, INL6, INL7, INL8, INL9	Input pin of L/R channel (Input Selector)
45,47,49, 51,53,55, 57,59,63	INR1, INR2, INR3, INR4, INR5, INR6, INR7, INR8, INR9	
40	MONO	Input pin of monaural (Input Selector)
38,39	SUBL,SUBR	Output pin for L/R channel SUB Output
36,37	ADCL, ADCR	Output pin for L/R channel ADC
72	RECL3	Output pin for L/R channel REC Output
71	RECR3	
61,62, 65,66, 67,68, 69,70	INRA/RECR1,INLA/RECL1, INRB/RECR2,INLB/RECL2, INR10/RECR4,INL10/RECL4, INR11/RECR5,INL11/RECL5	Input pin of L/R channel (Input Selector)/ Output pin for L/R channel REC Output

MICROPROCESSOR TERMINAL DESCRIPTIONS-1

Q101 : MPD784225GC (SERVO MICROPROCESSOR)-1/2

PIN No.	PIN NAME	I/O	ACT.	DESCRIPTION
1	NU	---	---	Not used.
2	NU	---	---	Not used.
3	NU	---	---	Not used.
4	AVSS	---	---	Ground.
5	NU	---	---	Not used.
6	NU	---	---	Not used.
7	AVREF1	---	---	Power supply.
8	CDDATA2I	I	H	Serial data input from CODEC block of CD signal processor IC.
9	CDDATA2O	O	H	Serial data output to CODEC block of CD signal processor IC.
10	CDCLOK2	O	CLK	Serial clock output to CODEC block of CD signal processor IC.
11	CDSSENS	I	H/L	SENS signal input from CD signal processor IC.
12	CDDATA	O	H	Command serial data output to CD signal processor IC.
13	CDCLOK	O	CLK	Command serial clock output to CD signal processor IC.
14	CDSVAK	O	L	Communication request response signal output to main microprocessor.
15	CDSVRE	O	L	Communication request signal output to main microprocessor.
16	CDSVSI	I	H	Serial data input from main microprocessor.
17	CDSVSO	O	H	Serial data output to main microprocessor.
18	CDSVCK	I	CLK	Serial clock input form main microprocessor.
19	NU	---	---	Not used.
20	CDXLT	O	L	Command latch output to CD signal processor IC.
21	CDFOK	I	H	FOK signal input from CD signal processor IC.
22	CDRESET	O	L	Reset signal output to CD signal processor IC.
23	CDXTSL	O	H	Command request signal output to CD signal processor IC.
24	CDPOWER	O	H	Power supply control output of CD section.
25	CDLAT2	O	L	Command latch output to CODEC block of CD signal processor IC.
26	NU	---	---	Not used.
27	NU	---	---	Not used.
28	NU	---	---	Not used.
29	NU	---	---	Not used.
30	NU	---	---	Not used.
31	NU	---	---	Not used.
32	CDANAMUT	O	H/L	Muting control output of CD analog signal.
33	VSS1	---	---	Ground.
34	CDOPEN	O	H/L	Control signal output of CD tray open.
35	CDCLOSE	O	H/L	Control signal output of CD tray close.
36	CDOPENSW	I	L	Complete detection input of CD tray open.
37	CDCLOSESW	I	L	Complete detection input of CD tray close.
38	CD4SPD	O	H	x 4 play mode signal output.
39	CD2SPD	O	H	x 2 play mode signal output.
40	CDRW	O	H	CD-RW mode signal output.

MICROPROCESSOR TERMINAL DESCRIPTIONS-2

Q101 : MPD784225GC (SERVO MICROPROCESSOR)-2/2

PIN No.	PIN NAME	I/O	ACT.	DESCRIPTION
41	NU	---	---	Not used.
42	NU	---	---	Not used.
43	NU	---	---	Not used.
44	NU	---	---	Not used.
45	NU	---	---	Not used.
46	NU	---	---	Not used.
47	NU	---	---	Not used.
48	NU	---	---	Not used.
49	NU	---	---	Not used.
50	NU	---	---	Not used.
51	VDDVOLTAGE	I	H/L	For initial setting (Power supply voltage).
52	NU	---	---	Not used.
53	NU	---	---	Not used.
54	NU	---	---	Not used.
55	NU	---	---	Not used.
56	NU	---	---	Not used.
57	NU	---	---	Not used.
58	NU	---	---	Not used.
59	NU	---	---	Not used.
60	CDSVRST	I	L	Reset signal input from main microprocessor.
61	NU	---	---	Not used.
62	CDSCORI	I	H	Sub code detection input from CD signal processor IC.
63	CDSVRQ	I	L	Serial communication request signal input from main microprocessor.
64	CDIREQ	I	H	Interrupt request signal input from CODEC block of CD signal processor IC.
65	CDACK	I	L	Notification of reception completion input from CODEC block of CD signal processor IC.
66	NU	---	---	Not used.
67	VSS0	---	---	Ground.
68	VDD1	---	---	Power supply.
69	X2	O	CLK	Connect to oscillator (12.5 MHz).
70	X1	I	CLK	Connect to oscillator (12.5 MHz).
71	TEST	---	---	Not used.
72	XT2	---	---	Not used.
73	XT1	---	---	Not used.
74	VDD0	---	---	Power supply.
75	AVDD	---	---	Power supply.
76	NU	---	---	Not used.
77	NU	---	---	Not used.
78	NU	---	---	Not used.
79	NU	---	---	Not used.
80	NU	---	---	Not used.

MICROPROCESSOR TERMINAL DESCRIPTIONS-3

Q709 : M30622MWP (MAIN MICROPROCESSOR)-1/2

PIN No.	PIN NAME	I/O	ACT.	DESCRIPTION
1	CDSVSO	O	H	Serial data output to CD servo microprocessor.
2	CDSVCK	O	CLK	Serial clock output to CD servo microprocessor.
3	CDSVRQ	O	L	Data transmission request output to CD servo microprocessor.
4	CDSVRST	O	L	Reset output to CD servo microprocessor.
5	SUBSDI	O	H	Serial data output to sub microprocessor.
6	SUBSDO	I	H	Serial data input from sub microprocessor.
7	SUBCLK	O	CLK	Serial clock output to sub microprocessor.
8	BYTE	---	---	Not used.
9	CNVSS	---	---	Not used.
10	XCIN	I	---	Connect to sub clock oscillator (32.768kHz).
11	XCOUT	O	---	Connect to sub clock oscillator (32.768kHz).
12	RESET	I	L	Reset signal input.
13	XOUT	O	---	Connect to main clock oscillator (6.00MHz).
14	VSS	---	---	Ground.
15	XIN	I	---	Connect to sub clock oscillator (32.768kHz).
16	VCC1	---	---	Power supply.
17	NMI	---	---	Not used.
18	CDSVAK	I	L	Acknowledge signal input from servo microprocessor.
19	REMIN	I	L	Signal input from remote sensor.
20	POFF	I	L	Power failure detection voltage input.
21	CDSVRE	I	L	Data transmission request signal input from servo microprocessor.
22	CDPOWER	O	H	Power supply control output of CD section.
23	NU	---	---	Not used.
24	SUBRST	O	L	Reset signal output to sub microprocessor.
25	DABRST	O	L	Reset signal output to DAB module. (DAB model only)
26	DABPOWER	O	H	Power supply control output of DAB module.(DB model only)
27	NU	---	---	Not used.
28	NU	---	---	Not used.
29	DABRX	I	H	Serial data input from DAB module. (DAB model only)
30	DABTX	O	H	Serial data output to DAB module. (DAB model only)
31	FTXD	O	H	For flash writer.
32	FRXD	I	H	For flash writer.
33	FCLK	O	CLK	For flash writer.
34	FBUSY	O	H	For flash writer.
35	PLLSDO	O	H	PLL serial data output to tuner unit.
36	PLLCLK	O	CLK	PLL serial clock output to tuner unit.
37	NU	---	---	Not used.
38	STEREO/PLLSDI	I	L	Stereo detection input. / PLL serial data input from tuner unit.
39	FREQCAL	O	CLK	Clock frequency output for adjustment.
40	SD	I	L	Demodulator detection input from tuner unit.
41	FEPM	O	H	For flash writer.
42	SUBREQ	I	H	Communication ready signal input from sub microprocessor.
43	NU	---	---	Not used.
44	NU	---	---	Not used.
45	NU	---	---	Not used.
46	FCE	I	H	For flash writer.
47	DIRCLK	O	CLK	Serial clock output to DIR (AK-4112B). (CR-715/CR-515 only)
48	DIRSI	I	H	Serial clock input from DIR (AK-4112B). (CR-715/CR-515 only)
49	DIRSO	O	H	Serial data output to DIR (AK-4112). (CR-715/CR-515 only)
50	DIRCS	O	H	Chip select signal output to DIR (AK-4112B). (CR-715/CR-515 only)

MICROPROCESSOR TERMINAL DESCRIPTIONS-4

Q709 : M30622MWP (MAIN MICROPROCESSOR)-2/2

PIN No.	PIN NAME	I/O	ACT.	DESCRIPTION
51	SELCLK	O	H	Serial clock output to selector/volume IC (R2S15211FP).
52	SELDAT	O	H	Serial data output to selector/volume IC (R2S15211FP).
53	NU	---	---	Not used.
54	TUMUT	O	H	Tuner muting control output.
55	NU	---	---	Not used.
56	MUTCTRL	---	---	Not used.
57	NF_MUT	O	H	Control output of digital audio driver IC (IRS20954S). (CR-715 only)
58	AMUT	O	L	Audio muting control output.
59	NU	---	---	Not used.
60	RCPOW	O	H	Initial current control output of power amplifier.
61	ACPOW	O	H	Main power control output.
62	VCC2	---	---	Power supply.
63	NU	---	---	Not used.
64	VSS	---	---	Ground.
65	NU	---	---	Not used.
66	NU	---	---	Not used.
67	E2PROM_SDA	I/O	H	Serial data in/out of E2PROM (S-24CS16).
68	E2PROM_SCL	O	CLK	Serial clock output to E2PROM (S-24CS16).
69	NU	I	---	Not used.
70	E2PROM_WP2	O	L	Write protect release output to E2PROM (S-24CS16).
71	RDSENABLE	I	H	For initial setting (RDS function). (RDS model only)
72	DABENABLE	I	H	For initial setting DAB function).
73	SYSIN	I	H	RI (system control) input.
74	RDSCLK	I	CLK	Serial clock input from RDS circuit. (RDS model only)
75	NU	---	---	Not used.
76	SYSOUT	O	L	RI (system control) output.
77	PROTECT_I	I	H	Speaker protect detection input (current detection).
78	PROTECT_V	I	H	Speaker protect detection input (voltage detection).
79	LEDSTBY	O	H	STANDBY LED control output.
80	SPRLF	O	H	Speakers relay control input. (CR-715 only)
81	HP_IN	I	H	Headphone detection input. (CR-715 only)
82	DG_MUTE	O	H	Subwoofer muting control output. (CR-715 only)
83	NU	---	---	Not used.
84	RDSDAT	I		Serial data input from RDS circuit. (RDS model only)
85	NU	---	---	Not used.
86	SIGNAL	I	A/D	Tuner signal detection input.
87	BAND	I	A/D	For initial setting (tuner band).
88	MODEL	I	A/D	For initial setting (model).
89	NU	---	---	Not used.
90	NU	---	---	Not used.
91	NU	---	---	Not used.
92	KEYINT0	I	L	Key control input.
93	NU	---	---	Not used.
94	NU	---	---	Not used.
95	DIRPDN	O	L	DIR (AK4112) PDN control output. (CR-715/CR-515 only)
96	AVSS	---	---	Ground.
97	KEY0	I	A/D	Key control input.
98	VREF	---	---	Power supply.
99	AVCC	---	---	Power supply.
100	CDSVSI	I	H/L	Serial data input from CD servo microprocessor.

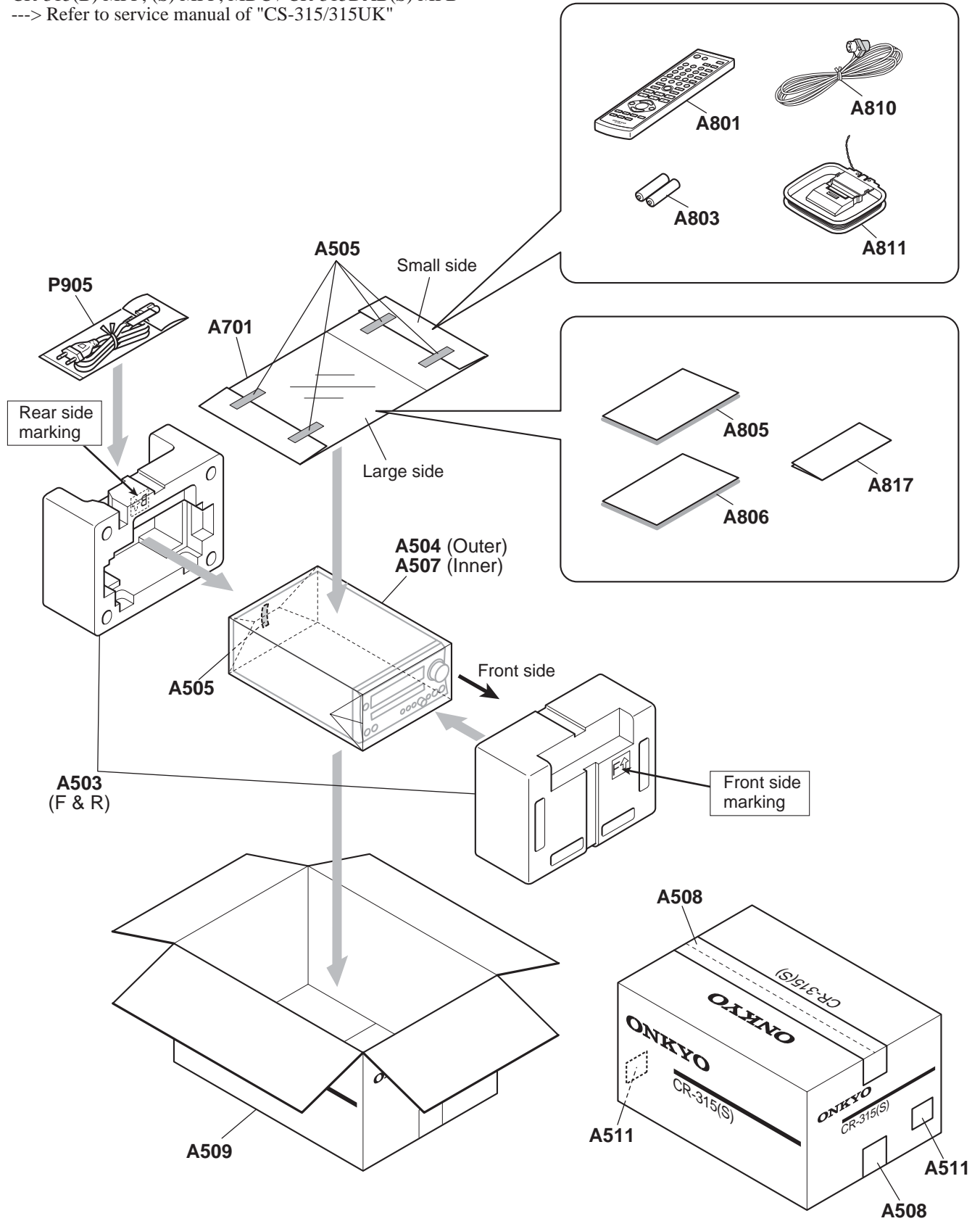
PACKING PROCEDURE

CR-315(S) MGT, MDT, MGQ

<Note>

CR-315(B) MPP, (S) MPP, MDC / CR-315DAB(S) MPB

---> Refer to service manual of "CS-315/315UK"



CR-315/315DAB**<Note>**

Parts marked by 'NSP' are generally unavailable because they are not in our Master Spare Parts List.

**NOTE : THE COMPONENTS IDENTIFIED BY THE MARK
! ARE CRITICAL FOR RISK OF FIRE AND
ELECTRIC SHOCK. REPLACE ONLY WITH PART
NUMBER SPECIFIED.**

<Notes>

(B) : Black model

(S) : Silver model

<MPP> : CR-315 European model

<MDC> : CR-315 Canadian model

<MGT> : CR-315 Asian model

<MDT> : CR-315 Taiwanese model

<MGQ> : CR-315 Hong kong model

<DAB MPB> : CR-315DAB British model

EXPLODED VIEW PARTS LIST

	REF. NO.	PART NAME	DESCRIPTION	Q'TY	PART NO. (SN)	REMARKS
EV	A001	F BRACKET	(B)	1	27111462	(B)
EV	A001	F BRACKET	(S)	1	27111461	(S)
EV	A004	SCREW	3TTB+8B(CU)SR	9	801618	
EV	A007	SCREW	3TTB+8B(CU)SR	2	801618	
EV	A009	CHASSIS	---	1	---	NSP
EV	A101	REAR PANEL	CR-315 MPP	1	27123605	<MPP>
EV	A101	REAR PANEL	CR-315 MDC	1	27123609A	<MDC>
EV	A101	REAR PANEL	CR-315 MPP	1	27123605	<MGT>
EV	A101	REAR PANEL	CR-315 MPP	1	27123605	<MDT>
EV	A101	REAR PANEL	CR-315 MPP	1	27123605	<MGQ>
EV	A101	REAR PANEL	CR-315DAB MPB	1	27123606	<DAB MPB>
EV	A102	HOLDER	KGLS-6RT	6	27190693A	
EV	A103	SCREW	3TTB+8B(3BC)	14	838430088GR	<MPP>
EV	A103	SCREW	3TTB+8B(3BC)	15	838430088GR	<MDC>
EV	A103	SCREW	3TTB+8B(3BC)	14	838430088GR	<MGT>
EV	A103	SCREW	3TTB+8B(3BC)	14	838430088GR	<MDT>
EV	A103	SCREW	3TTB+8B(3BC)	14	838430088GR	<MGQ>
EV	A103	SCREW	3TTB+8B(3BC)	14	838430088GR	<DAB MPB>
EV	A104	HOLDER	KGPS-6RF	3	27191112	
EV	A105	HOLDER	KGLS-12RT	3	27190266	
EV	A106	HOLDER	(PWB)	1	27191280A	
EV	A107	WASHER	---	1	870191	<DAB MPB>
EV	A108	NUT	---	1	800562	<DAB MPB>
EV	A109	COVER	(HT)	1	28184981A	
EV	A110	SCREW	3TTB+8B(3BC)	2	838430088GR	
EV	A112	SCREW	3TTB+8B(CU)SR	4	801618	
EV	A113	HEAT SINK	173	1	27160513-1	
EV	A115	SCREW	3SMS8W.SW+14B(CU)	4	801634	
EV	A117	SCREW	3TTB+8B(CU)SR	4	801618	
EV	A119	LEG	(AS)	2	27175253-1B	
EV	A121	SCREW	3TTB+8B(3BC)	2	838430088GR	
EV	A123	SCREW	4TTC+6C(3BC)	4	830440069GR	
EV	A125	TAPE	TAPE(CLOTH-16U)	(1)	29110083	
EV	A127	SHLD PLT	(AMP)	1	27150510	
EV	A128	SHLD PLT	(SP)	1	27150511	
EV	A130	ISO PLT	(ST)	1	28175326	

EV	A132	WIRE TIE	BSK-1	4	260208	
EV	A134	RIVET	P-RIVET NRP-345	1	880009	
EV	A201	FACET	(S)	1	28198906	
EV	A202	RIVET	P-RIVET NRP-345	4	880009	<MPP>
EV	A202	RIVET	P-RIVET NRP-345	4	880009	<MGT>
EV	A202	RIVET	P-RIVET NRP-345	4	880009	<MGQ>
EV	A202	A202	P-RIVET NRP-345	4	880009	<DAB MPB>
EV	A205	CLEAR PLT	---	1	28192105	
EV	A209	SCREW	3TTB+6B(3BC)	2	838430068GR	
EV	A207	DOOR	(CD)	1	28148656	(B)
EV	A207	DOOR	(CD)	1	28148655	(S)
EV	A213	KNOB	(VOL)AS	1	28326492	(B)
EV	A213	KNOB	(VOL)AS	1	28326491	(S)
EV	A217	IB CUSHION	W15 x 3t TAPE	1	28141585	
EV	A218	COVER	CR-315(B)	1	28184976	(B)
EV	A218	COVER	CR-315(S)	1	28184977	(S)
EV	A302	CUSHION	t5 x 30 x 5	1	28141562	
EV	A303	SCREW	3TTB+8B(3BC)	9	838430088GR	(B)
EV	A303	SCREW	3TTB+8B(3CM)	9	838130088GR	(S)
EV	A305	LABEL	LASER	1	29362285	!
EV	A308	CUSHION	t5 x 30 x 5	1	28141562	<DAB MPB>
EV	A309	CUSHION	---	2	28141649	
EV	A301	F PANEL	(B)	1	27212940	(B) <MPP>
EV	A301	F PANEL	(S)MPP	1	27212942	(S) <MPP>
EV	A301	F PANEL	(S)	1	27212939	(S) <MDC>
EV	A301	F PANEL	(S)	1	27212939	(S) <MGT>
EV	A301	F PANEL	(S)	1	27212939	(S) <MDT>
EV	A301	F PANEL	(S)	1	27212939	(S) <MGQ>
EV	A301	F PANEL	DAB(S)	1	27212941	(S) <DAB MPB>
EV	A306	LABEL	(UK-CR)	1	29364600	<DAB MPB>
EV	A501	SPEC LABEL	CR-315 MPP	1	29364494	<MPP>
EV	A501	SPEC LABEL	CR-315 MDC	1	29364495	<MDC>
EV	A501	SPEC LABEL	CR-315 <MGT>	1	29364496	<MGT>
EV	A501	SPEC LABEL	CR-315 MDT	1	29364497	<MDT>
EV	A501	SPEC LABEL	CR-315 <MGT>	1	29364496	<MGQ>
EV	A501	SPEC LABEL	CR-315DAB MPB	1	29364498	<DAB MPB>
EV	E002	HOLDER	(CRAMP) UA-0 V0	1	27190608-1	
EV	F901	FUSE	0.5A-SE-EAWK	1	252063GR	!, <MPP>
EV	F901	FUSE	1.25A-T/UL-ST2	1	252251GR	!, <MDC>
EV	F901	FUSE	0.5A-SE-EAWK	1	252063GR	!, <MGT>
EV	F901	FUSE	1.25A-T/UL-ST2	1	252251GR	!, <MDT>
EV	F901	FUSE	0.5A-SE-EAWK	1	252063GR	!, <MGQ>
EV	F901	FUSE	0.5A-SE-EAWK	1	252063GR	!, <DAB MPB>
EV	P1001	SOCKET AS	NSAS-10P0997	1	20022391010	
EV	P1002	FFC	NCFC4-16045	1	204416045	
EV	P1003	SOCKET AS	NSAS-12P0960	1	20022391210UL	
EV	P1101	FFC	NCFC7-130512	1	2047130512	<MPP>
EV	P1101	FFC	NCFC7-130512	1	2047130512	<MDC>
EV	P1101	FFC	NCFC7-130512	1	2047130512	<MGT>
EV	P1101	FFC	NCFC7-130512	1	2047130512	<MDT>
EV	P1101	FFC	NCFC7-130512	1	2047130512	<MGQ>
EV	P1101	FFC	NCFC3-13025	1	204313025	<DAB MPB>
EV	P1102	FFC	NCFC5-181012	1	2045181012	
EV	Q557	TR	2SC3851-O	1	2203383	!
EV	Q557 or	TR	2SC3851-Y	(1)	2203384	!
EV	Q557 or	TR	2SD1267-Q	(1)	2204052	!

EV	Q557 or	TR	2SD1267-P	(1)	2204053	!
EV	Q558	TR	2SC3851-O	1	2203383	!
EV	Q558 or	TR	2SC3851-Y	(1)	2203384	!
EV	Q558 or	TR	2SD1267-Q	(1)	2204052	!
EV	Q558 or	TR	2SD1267-P	(1)	2204053	!
EV	Q559	TR	2SA1488-O	1	2203393	!
EV	Q559 or	TR	2SA1488-Y	(1)	2203394	!
EV	Q559 or	TR	2SB942-Q	(1)	2204042	!
EV	Q559 or	TR	2SB942-P	(1)	2204043	!
EV	Q560	TR	2SA1488-O	1	2203393	!
EV	Q560 or	TR	2SA1488-Y	(1)	2203394	!
EV	Q560 or	TR	2SB942-Q	(1)	2204042	!
EV	Q560 or	TR	2SB942-P	(1)	2204043	!
EV	<Note>					
EV	Must use the same HFE rank mutually about the following parts.					
EV	Ref. No. : Q557 - Q559, Q558 - Q560					
EV	T901	P TRANS	NPT-1545P	1	2301874	!, <MPP>
EV	T901	P TRANS	NPT-1545D	1	2301873	!, <MDC>
EV	T901	P TRANS	NPT-1545P	1	2301874	!, <MGT>
EV	T901	P TRANS	NPT-1545D	1	2301873	!, <MDT>
EV	T901	P TRANS	NPT-1545P	1	2301874	!, <MGQ>
EV	T901	P TRANS	NPT-1545P	1	2301874	!, <DAB MPB>
EV	U01	PRE-AMP. MICROPROCESSOR PC board ass'y	NAAR-8931-1A	1	1B147531-1A	<MPP>
EV	U01	PRE-AMP. MICROPROCESSOR PC board ass'y	NAAR-8931-1B	1	1B147531-1B	<MDC>
EV	U01	PRE-AMP. MICROPROCESSOR PC board ass'y	NAAR-8931-1C	1	1B147531-1C	<MGT>
EV	U01	PRE-AMP. MICROPROCESSOR PC board ass'y	NAAR-8931-1E	1	1B147531-1E	<MDT>
EV	U01	PRE-AMP. MICROPROCESSOR PC board ass'y	NAAR-8931-1D	1	1B147531-1D	<MGQ>
EV	U01	PRE-AMP. MICROPROCESSOR PC board ass'y	NAAR-8931-1F	1	1B147531-1F	<DAB MPB>
EV	U02	CD PC board ass'y	NADG-8932-1A	1	1B147532-1A	<MPP>
EV	U02	CD PC board ass'y	NADG-8932-1B	1	1B147532-1B	<MDC>
EV	U02	CD PC board ass'y	NADG-8932-1C	1	1B147532-1C	<MGT>
EV	U02	CD PC board ass'y	NADG-8932-1E	1	1B147532-1E	<MDT>
EV	U02	CD PC board ass'y	NADG-8932-1D	1	1B147532-1D	<MGQ>
EV	U02	CD PC board ass'y	NADG-8932-1F	1	1B147532-1F	<DAB MPB>
EV	U04	DAB TERMINAL PC board ass'y	NAETC-8934-1F	1	1B147534-1F	<DAB MPB>
EV	U05	DISPLAY PC board ass'y	NADIS-8935-1A	1	1B147535-1A	<MPP>
EV	U05	DISPLAY PC board ass'y	NADIS-8935-1B	1	1B147535-1B	<MDC>
EV	U05	DISPLAY PC board ass'y	NADIS-8935-1C	1	1B147535-1C	<MGT>
EV	U05	DISPLAY PC board ass'y	NADIS-8935-1E	1	1B147535-1E	<MDT>
EV	U05	DISPLAY PC board ass'y	NADIS-8935-1D	1	1B147535-1D	<MGQ>
EV	U05	DISPLAY PC board ass'y	NADIS-8935-1F	1	1B147535-1F	<DAB MPB>
EV	U06	POWER AMPLIFIER PC board ass'y	NAAF-8936-1A	1	1B147536-1A	<MPP>
EV	U06	POWER AMPLIFIER PC board ass'y	NAAF-8936-1B	1	1B147536-1B	<MDC>
EV	U06	POWER AMPLIFIER PC board ass'y	NAAF-8936-1C	1	1B147536-1C	<MGT>
EV	U06	POWER AMPLIFIER PC board ass'y	NAAF-8936-1E	1	1B147536-1E	<MDT>
EV	U06	POWER AMPLIFIER PC board ass'y	NAAF-8936-1D	1	1B147536-1D	<MGQ>
EV	U06	POWER AMPLIFIER PC board ass'y	NAAF-8936-1F	1	1B147536-1F	<DAB MPB>
EV	U07	POWER SUPPLY PC board ass'y	NAPS-9837-1A	1	1B147537-1A	<MPP>
EV	U07	POWER SUPPLY PC board ass'y	NAPS-9837-1B	1	1B147537-1B	<MDC>
EV	U07	POWER SUPPLY PC board ass'y	NAPS-9837-1C	1	1B147537-1C	<MGT>
EV	U07	POWER SUPPLY PC board ass'y	NAPS-9837-1E	1	1B147537-1E	<MDT>
EV	U07	POWER SUPPLY PC board ass'y	NAPS-9837-1D	1	1B147537-1D	<MGQ>
EV	U07	POWER SUPPLY PC board ass'y	NAPS-9837-1F	1	1B147537-1F	<DAB MPB>
EV	U08	SPEAKER TERMINAL PC board ass'y	NAETC-8938-1B	1	---	NSP, <MDC>
EV	U09	SPEAKER TERMINAL PC board ass'y	NAETC-8939-1A	1	---	NSP, <MPP>
EV	U09	SPEAKER TERMINAL PC board ass'y	NAETC-8939-1C	1	---	NSP, <MGT>

EV	U09	SPEAKER TERMINAL PC board ass'y	NAETC-8939-1E	1	---	NSP, <MDT>
EV	U09	SPEAKER TERMINAL PC board ass'y	NAETC-8939-1D	1	---	NSP, <MGQ>
EV	U09	SPEAKER TERMINAL PC board ass'y	NAETC-8939-1F	1	---	NSP, <DAB MPB>
EV	U10	TUNER UNIT	FAE485-E11EU	1	240154	<MPP>
EV	U10	TUNER UNIT	ENG06507QFUS	1	240156	<MDC>
EV	U10	TUNER UNIT	FAE485-E12EX	1	240155	<MGT>
EV	U10	TUNER UNIT	FAE485-E12EX	1	240155	<MDT>
EV	U10	TUNER UNIT	ENG07506QFEX	1	240159	<MGQ>
EV	U10 or	TUNER UNIT	FAE485-E12EX	(1)	240155	<MGQ>
EV	U10	TUNER UNIT	FAE485-E11EU	1	240154	<DAB MPB>
EV	U11	DAB MODULE	VENICE3.0-C-F	1	24150071	<DAB MPB>

CR-315/315DAB**EXPLODED VIEW PARTS LIST OF MECHANISM****CD MECHANISM : DLM1A01-14CA / KSM-213CLCM**

	REF. NO.	PART NAME	DESCRIPTION	Q'TY	PART NO.	REMARKS
CD1	Z005	CD Tray loading unit	DLM1A01-14CA	1	24800056	
CD1	Z006	CD Drive unit	KSM-213CLCM	1	24800017	
CD1	Z007	INSULATOR	(CDC-A)	4	24818058	
CD1	Z008	SPRING	TP-D (silver)	2	24820071	
CD1	Z009	SPRING	TP-E (gold)	2	24820072	
CD1	Z010	SCREW	2.6 x 8 x w10	4	801632	

CD TRAY LOADING UNIT : DLM1A01-14CA

	REF. NO.	PART NAME	DESCRIPTION	Q'TY	PART NO.	REMARKS
CD2	1	CHASSIS	---	1	65-210-1054	
CD2	2	TRAY	---	1	65-218-1055	
CD2	3	SUB CHASSIS	---	1	65-211-2040	
CD2	4	CAM SLIDER	---	1	65-239-2004	
CD2	5	GEAR TRAY	---	1	65-222-3005	
CD2	6	CLAMPER ASS'Y	---	1	65-093-4057H	
CD2	7	PWB ASS'Y	---	1	65-093-4058H	
CD2	8	GEAR A	---	1	65-222-4037	
CD2	9	PULLEY GEAR	---	1	65-222-4004	
CD2	10	MOTOR ASS'Y	---	1	65-093-4068H	
CD2	11	LOADING BELT	---	1	02-083-4274	
CD2	12	SCREW	---	2	GSP14A25027	

CD DRIVE UNIT : KSM-213CLCM

	REF. NO.	PART NAME	DESCRIPTION	Q'TY	PART NO.	REMARKS
CD3	51	Motor chassis ass'y	---	1	X-2656-877-1	
CD3	52	Motor gear ass'y	---	1	X2625-769-1	
CD3	53	Sled shaft	---	1	2626-908-01	
CD3	54	Gear (A) (S)	---	1	24810023	
CD3	55	P2 x 3, Screw	---	2	7621-255-15	
CD3	56	Leaf switch	---	1	24840008	
CD3	57	Motor PC board	---	1	1639-678-12	
CD3	58	Connector 6pin	---	1	1-564-722-11	
CD3	61	KSS-213C, Pickup	---	1	8848-483-05	

CR-315/315DAB**PC BOARD PARTS LIST**

U01	PRE-AMP. & MICROPROCESSOR PC BOARD (NAAR-8931-1A / 1B / 1C / 1D / 1E / 1F)
U02	CD PC BOARD (NADG-8932-1A / 1B / 1C / 1D / 1E / 1F)
U04	DAB TERMINAL PC BOARD (NAETC-8934-1B)

<Note> U04 : DAB MPB Only

	CIRCUIT NO.	PART NAME	DESCRIPTION	Q'TY	PART NO. (SN)	REMARKS
PCB1	Q101	IC (SERVO MICROPROCESSOR)	MPD784225GC-305-8BT-A	1	22242295R3	
PCB1	Q102	IC	TC74VHC541FT	1	22274541ER2TO	
PCB1	Q201	IC	BD7931F	1	22242216R2	
PCB1	Q202	IC	BA5947FP	1	22242215R2	
PCB1	Q204	IC	PQ033ENA1ZPH	1	22242334R2	
PCB1	Q206	IC	CXD3014AR	1	22242264R3	
PCB1	Q207	IC	MPD120N18T1B-E1-AZ	1	22278018NR2NE	
PCB1	Q401	IC	R2S15211FP	1	22242297R3	
PCB1	Q707	IC	S-24CS16A0I-J8V1G	1	22242326R2	
PCB1	Q708	IC	S-812C50AUA-C3E	1	22242240R2	
PCB1	Q709	IC (MAIN MICROPROCESSOR)	M30622MWP-B07FP	1	22242377R3	
PCB1	Q710	IC	S-80140CNMC-JKZ-T2	1	22242238R2	
PCB1	Q902	IC	S-80140CNMC-JKZ-T2	1	22242238R2	
PCB1	Q904	IC	MPC2906HF	1	22278006DNE	
PCB1	Q905	IC	UPC2905AHF-AZ	1	22278005DNE	<DAB MPB>
PCB1	Q905 or	IC	MPC2905BHF	(1)	22278005DBNE	<DAB MPB>
PCB1	Q906	IC	MPC2933AHF	1	22278033DNE	<DAB MPB>
PCB1	Q906 or	IC	MPC2933BHF-AZ	(1)	22278033DBNE	<DAB MPB>
PCB1	Q906A	HEAT-SINK	HEAT-SINK(RAD-68)	1	27160211	<DAB MPB>
PCB1	Q906B	SCREW	3P+10FN(3BC)	1	82143010GR	<DAB MPB>
PCB1	Q907	IC	MPC2905AT	1	22278005DR2NE	
PCB1	Q907 or	IC	TA4805AF(TE16L_NQ)	(1)	22278005DR2TO	
PCB1	Q921	IC	MPC2905AT	1	22278005DR2NE	
PCB1	Q921 or	IC	TA4805AF(TE16L_NQ)	(1)	22278005DR2TO	
PCB1	Q925	IC	78M08HF(NJM78M08FA)	1	222780085JRC	
PCB1	Q926	IC	79M08HF(NJM79M08FA)	1	222790085JRC	
PCB1	Q951	IC	78M09HF(NJM78M09FA)	1	222780095JRC	
PCB1	Q2209	IC	NJM4580M-D	1	22241448R2	
PCB1	Q208	TR	2SA1162-GR	1	2214375R2	
PCB1	Q432	TR	2SC2712-GR	1	2213145R2	
PCB1	Q433	TR	2SA1162-GR	1	2214375R2	
PCB1	Q702	TR	RN2403	1	2214540R2	
PCB1	Q703	TR	RN2402	1	2214530R2	
PCB1	Q705	TR	RN2403	1	2214540R2	
PCB1	Q706	TR	RN2403	1	2214540R2	
PCB1	Q941	TR	2SA1015-GR	1	2211455T	
PCB1	Q2210	TR	RN1441	1	2215410R2	
PCB1	Q2211	TR	RN1441	1	2215410R2	
PCB1	Q7101	TR	RN1401(TE85L_F)	1	2214460R2	<DAB MPB>
PCB1	Q7102	TR	RN2402	1	2214530R2	<DAB MPB>
PCB1	D101	C-DIODE	ISS355	1	223269R2	
PCB1	D101 or	C-DIODE	ISS352	(1)	223234R2	
PCB1	D102	C-DIODE	ISS355	1	223269R2	
PCB1	D102 or	C-DIODE	ISS352	(1)	223234R2	
PCB1	D201	C-DIODE	ISS355	1	223269R2	
PCB1	D201 or	C-DIODE	ISS352	(1)	223234R2	
PCB1	D425	C-DIODE	ISS355	1	223269R2	
PCB1	D425 or	C-DIODE	ISS352	(1)	223234R2	
PCB1	D701	ZENER D	UDZS5.1B	1	224550510R2	
PCB1	D702	C-DIODE	ISS355	1	223269R2	
PCB1	D702 or	C-DIODE	ISS352	(1)	223234R2	
PCB1	D905	C-DIODE	S1NB60-4062	1	22380318R2	
PCB1	D906	DIODE	D5SBA20	1	22380130F	<MGT>

PCB1	D906	DIODE	D5SBA20	1	22380130F	<MGQ>
PCB1	D906	DIODE	D5SBA20	1	22380130F	<DAB MPB>
PCB1	D906A	DIODE	D3SBA20	1	22380271F	<MPP>
PCB1	D906A	DIODE	D3SBA20	1	22380271F	<MDC>
PCB1	D906A	DIODE	D3SBA20	1	22380271F	<MDT>
PCB1	D907	DIODE	RL1N4003	1	22380260T	
PCB1	D907 or	DIODE	GP104003E	(1)	22380035T	
PCB1	D941	DIODE	RL1N4003	1	22380260T	
PCB1	D941 or	DIODE	GP104003E	(1)	22380035T	
PCB1	D943	ZENER D	UDZS27B	1	224552700R2	
PCB1	D951	DIODE	RBV402	1	22380022F	
PCB1	D951 or	DIODE	D3SBA20	(1)	22380271F	
PCB1	X101	CERA LOCK	CSTCE12M5G52-R0	1	3010361R2	
PCB1	X201	CRYSTAL	FCX-03-16.9344MHz	1	3010428R2	
PCB1	X701	CERA LOCK	CSTCR6M0055-R0	1	3010397R2	
PCB1	X702	CRYSTAL	DT-38	1	3010282	
PCB1	X702 or	CRYSTAL	VT-200-F	(1)	3010436	
PCB1	L204	CHOKE COIL	NCH-1471	1	231237K022R2	
PCB1	L601	CHOKE COIL	NCH-1471	1	231237K022R2	
PCB1	L7901	CHOKE COIL	BLM21B222SPT	1	230921R2	
PCB1	C108	C-CERA C	CK725F1H-104Z1	1	332151040R1	
PCB1	C111	C-CERA C	CK725F1H-473Z1	1	332154730R1	
PCB1	C112	C-CERA C	CK725F1H-104Z1	1	332151040R1	
PCB1	C113	C-CERA C	CK725F1A-105Z1	1	332181050R1	
PCB1	C201	C-CERA C	CK725B1H-472K1	1	332104725R1	
PCB1	C202	C-CERA C	CK725F1H-104Z1	1	332151040R1	
PCB1	C203	C-CERA C	CK725F1H-104Z1	1	332151040R1	
PCB1	C204	C-CERA C	CK725F1H-104Z1	1	332151040R1	
PCB1	C206	C-CERA C	CK725F1H-104Z1	1	332151040R1	
PCB1	C209	ELECT C	CE04W6.3V-220M	1	355722219T	
PCB1	C210	C-CERA C	CK725F1H-104Z1	1	332151040R1	
PCB1	C211	C-CERA C	CK725F1H-104Z1	1	332151040R1	
PCB1	C212	ELECT C	CE04W6.3V-100M	1	355721019T	
PCB1	C213	ELECT C	CE04W6.3V-100M	1	355721019T	
PCB1	C214	C-CERA C	CK725F1H-104Z1	1	332151040R1	
PCB1	C215	C-CERA C	CK725F1H-104Z1	1	332151040R1	
PCB1	C220	C-CERA C	CK725F1A-105Z1	1	332181050R1	
PCB1	C221	C-CERA C	CK725F1H-104Z1	1	332151040R1	
PCB1	C222	C-CERA C	CK725F1A-105Z1	1	332181050R1	
PCB1	C223	C-CERA C	CK725B1C-105K1	1	332121055R1	
PCB1	C231	ELECT C	CE04W6.3V-220M	1	355722219T	
PCB1	C234	C-CERA C	CC725CH1H-102J1	1	342101024R1	
PCB1	C235	C-CERA C	CK725B1H-152K1	1	332101525R1	
PCB1	C236	ELECT C	CE04W6.3V-220M	1	355722219T	
PCB1	C238	C-CERA C	CK725F1A-105Z1	1	332181050R1	
PCB1	C240	C-CERA C	CK725B1H-332K1	1	332103325R1	
PCB1	C241	C-CERA C	CK725B1C-104K1	1	332121045R1	
PCB1	C242	C-CERA C	CK725F1H-104Z1	1	332151040R1	
PCB1	C243	C-CERA C	CK725B1H-103K1	1	332101035R1	
PCB1	C244	C-CERA C	CK725B1C-104K1	1	332121045R1	
PCB1	C245	C-CERA C	CK725B1C-104K1	1	332121045R1	
PCB1	C246	C-CERA C	CK725F1H-104Z1	1	332151040R1	
PCB1	C248	ELECT C	CE04W6.3V-220M	1	355722219T	
PCB1	C250	C-CERA C	CK725B1A-474K1	1	332134745R1	
PCB1	C251	C-CERA C	CK725F1H-104Z1	1	332151040R1	
PCB1	C252	C-CERA C	CK725B1C-104K1	1	332121045R1	

PCB1	C253	C-CERA C	CK725B1H-152K1	1	332101525R1
PCB1	C256	ELECT C	CE04W6.3V-220M	1	355722219T
PCB1	C257	C-CERA C	CK725F1H-104Z1	1	332151040R1
PCB1	C258	ELECT C	CE04W6.3V-100M	1	355721019T
PCB1	C259	C-CERA C	CK725F1H-104Z1	1	332151040R1
PCB1	C260	ELECT C	CE04W6.3V-100M	1	355721019T
PCB1	C264	C-CERA C	CC725CH1H-102J1	1	342101024R1
PCB1	C265	C-CERA C	CC725CH1H-180J1	1	342101804R1
PCB1	C266	C-CERA C	CC725CH1H-180J1	1	342101804R1
PCB1	C267	C-CERA C	CK725F1A-105Z1	1	332181050R1
PCB1	C269	C-CERA C	CK725F1H-104Z1	1	332151040R1
PCB1	C270	VX C	CE04W16V-470M(VX_BLK)	1	397344717T
PCB1	C271	VX C	CE04W16V-470M(VX_BLK)	1	397344717T
PCB1	C272	C-CERA C	CK725B1C-104K1	1	332121045R1
PCB1	C400	C-CERA C	CC725CH1H-221J1	1	342102214R1
PCB1	C401	C-CERA C	CC725CH1H-221J1	1	342102214R1
PCB1	C404	C-CERA C	CC725CH1H-221J1	1	342102214R1
PCB1	C405	C-CERA C	CC725CH1H-221J1	1	342102214R1
PCB1	C412	TF C	ECQ-V50V-474J	1	374724744T
PCB1	C413	TF C	ECQ-V50V-474J	1	374724744T
PCB1	C414	TF C	ECQ-V50V-473J	1	374724734T
PCB1	C415	TF C	ECQ-V50V-473J	1	374724734T
PCB1	C416	TF C	ECQ-B50V-223J	1	374722234T
PCB1	C417	TF C	ECQ-B50V-223J	1	374722234T
PCB1	C418	VX C	CE04W50V 47M(VX_BLK)	1	397384707T
PCB1	C419	VX C	CE04W50V 47M(VX_BLK)	1	397384707T
PCB1	C422	C-CERA C	CK725B1C-104K1	1	332121045R1
PCB1	C437	VX C	CE04W50V-22M(VX_BLK)	1	397382207T
PCB1	C438	VX C	CE04W50V-22M(VX_BLK)	1	397382207T
PCB1	C441	ELECT C	CE04W50V-3.3M	1	355780339T
PCB1	C442	VX C	CE04W10V-100M(VX_BLK)	1	397331017T
PCB1	C602	ELECT C	CE04W50V-3.3M	1	355780339T
PCB1	C605	C-CERA C	CK725F1H-104Z1	1	332151040R1
PCB1	C606	C-CERA C	CK725F1H-104Z1	1	332151040R1
PCB1	C607	C-CERA C	CC725CH1H-101J1	1	342101014R1
PCB1	C608	C-CERA C	CC725CH1H-101J1	1	342101014R1
PCB1	C609	C-CERA C	CC725CH1H-101J1	1	342101014R1
PCB1	C610	ELECT C	CE04W50V-3.3M	1	355780339T
PCB1	C611	C-CERA C	CC725CH1H-101J1	1	342101014R1
PCB1	C701	C-CERA C	CK725F1H-104Z1	1	332151040R1
PCB1	C702	C-CERA C	CK725F1H-104Z1	1	332151040R1
PCB1	C703	ELECT C	CE04W6.3V-220M	1	355722219T
PCB1	C704	C-CERA C	CK725F1H-104Z1	1	332151040R1
PCB1	C706	C-CERA C	CK725F1A-105Z1	1	332181050R1
PCB1	C707	C-CERA C	CK725F1A-105Z1	1	332181050R1
PCB1	C708	C-CERA C	CK725F1A-105Z1	1	332181050R1
PCB1	C712	C-CERA C	CC725CH1H-101J1	1	342101014R1
PCB1	C713	C-CERA C	CK725F1H-104Z1	1	332151040R1
PCB1	C714	C-CERA C	CC725CH1H-102J1	1	342101024R1
PCB1	C715	C-CERA C	CC725CH1H-270J1	1	342102704R1
PCB1	C716	TRIM C	NTC-45P27	1	3060031
PCB1	C717	C-CERA C	CC725CH1H-101J1	1	342101014R1
PCB1	C719	C-CERA C	CK725F1H-104Z1	1	332151040R1
PCB1	C720	TF C	ECQ-V50V-334J	1	374723344T
PCB1	C7901	C-CARBON R	RN72K1J-000JE	1	435030004R1
PCB1	C905	VX C	CE04W6.3V-470M(VX_BLK)	1	397324717T

PCB1	C910	VX C	CE04W16V-1000M(VX_BLK)	1	397341027S	
PCB1	C911	VX C	CE04W16V-2200M(VX_BLK)	1	397342227S	
PCB1	C912	C-CERA C	CK725F1H-104Z1	1	332151040R1	
PCB1	C916	C-CERA C	CK725F1H-104Z1	1	332151040R1	
PCB1	C917	VX C	CE04W25V-220M(VX_BLK)	1	397352217T	
PCB1	C918	C-CERA C	CK725F1H-224Z1	1	332152240R1	
PCB1	C919	C-CERA C	CK725F1H-104Z1	1	332151040R1	
PCB1	C921	C-CERA C	CK725F1A-105Z1	1	332181050R1	
PCB1	C922	VX C	CE04W16V-470M(VX_BLK)	1	397344717T	
PCB1	C925	VX C	CE04W25V-3300M(VX_BLK)	1	397353327S	<MPP>
PCB1	C925	VX C	CE04W25V-1000M(VX_BLK)	1	397351027S	<MDC>
PCB1	C925	VX C	CE04W25V-3300M(VX_BLK)	1	397353327S	<MGT>
PCB1	C925	VX C	CE04W25V-3300M(VX_BLK)	1	397353327S	<MDT>
PCB1	C925	VX C	CE04W25V-3300M(VX_BLK)	1	397353327S	<MGQ>
PCB1	C925	VX C	CE04W25V-3300M(VX_BLK)	1	397353327S	<DAB MPB>
PCB1	C926	VX C	CE04W25V-1000M(VX_BLK)	1	397351027S	<MPP>
PCB1	C926	VX C	CE04W25V-470M(VX_BLK)	1	397354717T	<MDC>
PCB1	C926	VX C	CE04W25V-1000M(VX_BLK)	1	397351027S	<MGT>
PCB1	C926	VX C	CE04W25V-1000M(VX_BLK)	1	397351027S	<MDT>
PCB1	C926	VX C	CE04W25V-1000M(VX_BLK)	1	397351027S	<MGQ>
PCB1	C926	VX C	CE04W25V-1000M(VX_BLK)	1	397351027S	<DAB MPB>
PCB1	C927	VX C	CE04W25V-220M(VX_BLK)	1	397352217T	
PCB1	C928	VX C	CE04W25V-220M(VX_BLK)	1	397352217T	
PCB1	C929	VX C	CE04W16V-470M(VX_BLK)	1	397344717T	
PCB1	C930	VX C	CE04W16V-470M(VX_BLK)	1	397344717T	
PCB1	C941	TF C	ECQ-V50V-104J	1	374721044T	
PCB1	C942	VX C	CE04W50V-220M(VX_BLK)	1	397382217S	
PCB1	C943	C-CERA C	CK725F1H-223Z1	1	332152230R1	
PCB1	C944	TF C	ECQ-V50V-473J	1	374724734T	
PCB1	C945	C-CERA C	CK725F1H-104Z1	1	332151040R1	<DAB MPB>
PCB1	C946	C-CERA C	CK725F1H-104Z1	1	332151040R1	<DAB MPB>
PCB1	C947	VX C	CE04W6.3V-470M(VX_BLK)	1	397324717T	<DAB MPB>
PCB1	C948	VX C	CE04W10V-220M(VX_BLK)	1	397332217T	<DAB MPB>
PCB1	C951	TF C	ECQ-V50V-334J	1	374723344T	
PCB1	C952	TF C	ECQ-V50V-334J	1	374723344T	
PCB1	C955	C-CERA C	CK725F1H-104Z1	1	332151040R1	
PCB1	C956	VX C	CE04W50V 100M(VX_BLK)	1	397381017T	
PCB1	C957	VX C	CE04W25V-220M(VX_BLK)	1	397352217T	
PCB1	C958	TF C	ECQ-B50V-223J	1	374722234T	
PCB1	C2216	C-CERA C	CK725B1H-222K1	1	332102225R1	
PCB1	C2217	C-CERA C	CK725B1H-222K1	1	332102225R1	
PCB1	C2218	C-CERA C	CC725CH1H-101J1	1	342101014R1	<MDC>
PCB1	C2218	C-CERA C	CC725CH1H-101J1	1	342101014R1	<MGT>
PCB1	C2218	C-CERA C	CC725CH1H-101J1	1	342101014R1	<MDT>
PCB1	C2218	C-CERA C	CC725CH1H-101J1	1	342101014R1	<MGQ>
PCB1	C2218	C-CERA C	CC725CH1H-101J1	1	342101014R1	<DAB MPB>
PCB1	C2219	C-CERA C	CC725CH1H-101J1	1	342101014R1	<MDC>
PCB1	C2219	C-CERA C	CC725CH1H-101J1	1	342101014R1	<MGT>
PCB1	C2219	C-CERA C	CC725CH1H-101J1	1	342101014R1	<MDT>
PCB1	C2219	C-CERA C	CC725CH1H-101J1	1	342101014R1	<MGQ>
PCB1	C2219	C-CERA C	CC725CH1H-101J1	1	342101014R1	<DAB MPB>
PCB1	C2220	VX C	CE04W25V-47M(VX_BLK)	1	397354707T	
PCB1	C2221	VX C	CE04W25V-47M(VX_BLK)	1	397354707T	
PCB1	C2222	TF C	ECQ-B50V-561J	1	374725614T	
PCB1	C2223	TF C	ECQ-B50V-561J	1	374725614T	
PCB1	C2224	TF C	ECQ-B50V-102J	1	374721024T	

PCB1	C2225	TF C	ECQ-B50V-102J	1	374721024T	
PCB1	C2226	C-CERA C	CC725CH1H-101J1	1	342101014R1	<MDC>
PCB1	C2226	C-CERA C	CC725CH1H-101J1	1	342101014R1	<MGT>
PCB1	C2226	C-CERA C	CC725CH1H-101J1	1	342101014R1	<MDT>
PCB1	C2226	C-CERA C	CC725CH1H-101J1	1	342101014R1	<MGQ>
PCB1	C2226	C-CERA C	CC725CH1H-101J1	1	342101014R1	<DAB MPB>
PCB1	C2227	C-CERA C	CC725CH1H-101J1	1	342101014R1	<MDC>
PCB1	C2227	C-CERA C	CC725CH1H-101J1	1	342101014R1	<MGT>
PCB1	C2227	C-CERA C	CC725CH1H-101J1	1	342101014R1	<MDT>
PCB1	C2227	C-CERA C	CC725CH1H-101J1	1	342101014R1	<MGQ>
PCB1	C2227	C-CERA C	CC725CH1H-101J1	1	342101014R1	<DAB MPB>
PCB1	C2228	VX C	CE04W50V 47M(VX_BLK)	1	397384707T	
PCB1	C2229	VX C	CE04W50V 47M(VX_BLK)	1	397384707T	
PCB1	C2230	C-CERA C	CK725F1H-104Z1	1	332151040R1	<MPP>
PCB1	C2230	C-CERA C	CK725F1H-104Z1	1	332151040R1	<MGT>
PCB1	C2230	C-CERA C	CK725F1H-104Z1	1	332151040R1	<MDT>
PCB1	C2230	C-CERA C	CK725F1H-104Z1	1	332151040R1	<MGQ>
PCB1	C2230	C-CERA C	CK725F1H-104Z1	1	332151040R1	<DAB MPB>
PCB1	C2231	VX C	CE04W25V-220M(VX_BLK)	1	397352217T	
PCB1	C2232	VX C	CE04W25V-220M(VX_BLK)	1	397352217T	
PCB1	C7144	C-CERA C	CK725F1H-104Z1	1	332151040R1	<DAB MPB>
PCB1	R007	C-CARBON R	RN72K1J-000JE	1	435030004R1	
PCB1	R008	C-CARBON R	RN72K1J-000JE	1	435030004R1	
PCB1	R101	C-CARBON R	RN72K1J-103JE	1	435031034R1	
PCB1	R102	C-CARBON R	RN72K1J-103JE	1	435031034R1	
PCB1	R103	C-CARBON R	RN72K1J-103JE	1	435031034R1	
PCB1	R105	C-CARBON R	RN72K1J-103JE	1	435031034R1	
PCB1	R106	C-CARBON R	RN72K1J-103JE	1	435031034R1	
PCB1	R107	C-CARBON R	RN72K1J-103JE	1	435031034R1	
PCB1	R108	C-CARBON R	RN72K1J-101JE	1	435031014R1	
PCB1	R109	C-CARBON R	RN72K1J-101JE	1	435031014R1	
PCB1	R110	C-CARBON R	RN72K1J-101JE	1	435031014R1	
PCB1	R111	C-CARBON R	RN72K1J-000JE	1	435030004R1	
PCB1	R112	C-CARBON R	RN72K1J-000JE	1	435030004R1	
PCB1	R113	C-CARBON R	RN72K1J-000JE	1	435030004R1	
PCB1	R114	C-CARBON R	RN72K1J-103JE	1	435031034R1	
PCB1	R115	C-CARBON R	RN72K1J-000JE	1	435030004R1	
PCB1	R116	C-CARBON R	RN72K1J-101JE	1	435031014R1	
PCB1	R117	C-CARBON R	RN72K1J-473JE	1	435034734R1	
PCB1	R118	C-CARBON R	RN72K1J-000JE	1	435030004R1	
PCB1	R119	C-CARBON R	RN72K1J-101JE	1	435031014R1	
PCB1	R121	C-CARBON R	RN72K1J-000JE	1	435030004R1	
PCB1	R122	C-CARBON R	RN72K1J-000JE	1	435030004R1	
PCB1	R123	C-CARBON R	RN72K1J-470JE	1	435034704R1	
PCB1	R124	C-CARBON R	RN72K1J-103JE	1	435031034R1	
PCB1	R125	C-CARBON R	RN72K1J-103JE	1	435031034R1	
PCB1	R126	C-CARBON R	RN72K1J-103JE	1	435031034R1	
PCB1	R128	C-CARBON R	RN72K1J-101JE	1	435031014R1	
PCB1	R129	C-CARBON R	RN72K1J-101JE	1	435031014R1	
PCB1	R130	C-CARBON R	RN72K1J-101JE	1	435031014R1	
PCB1	R131	C-CARBON R	RN72K1J-220JE	1	435032204R1	
PCB1	R132	C-CARBON R	RN72K1J-220JE	1	435032204R1	
PCB1	R133	C-CARBON R	RN72K1J-220JE	1	435032204R1	
PCB1	R134	C-CARBON R	RN72K1J-220JE	1	435032204R1	
PCB1	R135	C-CARBON R	RN72K1J-220JE	1	435032204R1	
PCB1	R136	C-CARBON R	RN72K1J-101JE	1	435031014R1	

PCB1	R137	C-CARBON R	RN72K1J-561JE	1	435035614R1
PCB1	R138	C-CARBON R	RN72K1J-000JE	1	435030004R1
PCB1	R139	C-CARBON R	RN72K1J-470JE	1	435034704R1
PCB1	R142	C-CARBON R	RN72K1J-470JE	1	435034704R1
PCB1	R144	C-CARBON R	RN72K1J-470JE	1	435034704R1
PCB1	R145	C-CARBON R	RN72K1J-470JE	1	435034704R1
PCB1	R146	C-CARBON R	RN72K1J-470JE	1	435034704R1
PCB1	R148	C-CARBON R	RN72K1J-561JE	1	435035614R1
PCB1	R149	C-CARBON R	RN72K1J-391JE	1	435033914R1
PCB1	R150	C-CARBON R	RN72K1J-102JE	1	435031024R1
PCB1	R151	C-CARBON R	RN72K1J-102JE	1	435031024R1
PCB1	R152	C-CARBON R	RN72K1J-102JE	1	435031024R1
PCB1	R153	C-CARBON R	RN72K1J-471JE	1	435034714R1
PCB1	R154	C-CARBON R	RN72K1J-471JE	1	435034714R1
PCB1	R155	C-CARBON R	RN72K1J-471JE	1	435034714R1
PCB1	R156	C-CARBON R	RN72K1J-102JE	1	435031024R1
PCB1	R157	C-CARBON R	RN72K1J-102JE	1	435031024R1
PCB1	R158	C-CARBON R	RN72K1J-102JE	1	435031024R1
PCB1	R159	C-CARBON R	RN72K1J-561JE	1	435035614R1
PCB1	R160	C-CARBON R	RN72K1J-102JE	1	435031024R1
PCB1	R161	C-CARBON R	RN72K1J-102JE	1	435031024R1
PCB1	R162	C-CARBON R	RN72K1J-561JE	1	435035614R1
PCB1	R202	C-CARBON R	RN72K1J-000JE	1	435030004R1
PCB1	R203	C-CARBON R	RN72K1J-000JE	1	435030004R1
PCB1	R204	C-CARBON R	RN72K1J-000JE	1	435030004R1
PCB1	R205	C-CARBON R	RN72K1J-000JE	1	435030004R1
PCB1	R206	C-CARBON R	RN72K1J-000JE	1	435030004R1
PCB1	R207	C-CARBON R	RN72K1J-103JE	1	435031034R1
PCB1	R208	C-CARBON R	RN72K1J-223JE	1	435032234R1
PCB1	R209	C-CARBON R	RN72K1J-000JE	1	435030004R1
PCB1	R210	C-CARBON R	RN72K1J-000JE	1	435030004R1
PCB1	R211	C-CARBON R	RN72K1J-000JE	1	435030004R1
PCB1	R212	C-CARBON R	RN72K1J-153JE	1	435031534R1
PCB1	R213	C-CARBON R	RN72K1J-822JE	1	435038224R1
PCB1	R214	C-CARBON R	RN72K1J-000JE	1	435030004R1
PCB1	R227	C-CARBON R	RN72K1J-473JE	1	435034734R1
PCB1	R232	C-CARBON R	RN72K1J-000JE	1	435030004R1
PCB1	R236	C-CARBON R	RN72K1J-000JE	1	435030004R1
PCB1	R239	C-CARBON R	RN72K1J-000JE	1	435030004R1
PCB1	R240	C-CARBON R	RN72K1J-000JE	1	435030004R1
PCB1	R241	C-CARBON R	RN72K1J-330JE	1	435033304R1
PCB1	R242	C-CARBON R	RN72K1J-330JE	1	435033304R1
PCB1	R243	C-CARBON R	RN72K1J-104JE	1	435031044R1
PCB1	R265	C-CARBON R	RN72K1J-000JE	1	435030004R1
PCB1	R266	C-CARBON R	RN72K1J-471JE	1	435034714R1
PCB1	R268	C-CARBON R	RN72K1J-000JE	1	435030004R1
PCB1	R274	C-CARBON R	RN72K1J-221JE	1	435032214R1
PCB1	R275	C-CARBON R	RN72K1J-000JE	1	435030004R1
PCB1	R277	C-CARBON R	RN72K1J-000JE	1	435030004R1
PCB1	R278	C-CARBON R	RN72K1J-101JE	1	435031014R1
PCB1	R279	C-CARBON R	RN72K1J-000JE	1	435030004R1
PCB1	R280	C-CARBON R	RN72K1J-153JE	1	435031534R1
PCB1	R281	C-CARBON R	RN72K1J-101JE	1	435031014R1
PCB1	R282	C-CARBON R	RN72K1J-103JE	1	435031034R1
PCB1	R283	C-CARBON R	RN72K1J-472JE	1	435034724R1
PCB1	R284	C-CARBON R	RN72K1J-000JE	1	435030004R1

PCB1	R285	C-CARBON R	RN72K1J-000JE	1	435030004R1
PCB1	R286	C-CARBON R	RN72K1J-000JE	1	435030004R1
PCB1	R287	C-CARBON R	RN72K1J-000JE	1	435030004R1
PCB1	R288	C-CARBON R	RN72K1J-000JE	1	435030004R1
PCB1	R289	C-CARBON R	RN72K1J-472JE	1	435034724R1
PCB1	R290	C-CARBON R	RN72K1J-474JE	1	435034744R1
PCB1	R291	C-CARBON R	RN72K1J-102JE	1	435031024R1
PCB1	R292	C-CARBON R	RN72K1J-000JE	1	435030004R1
PCB1	R293	C-CARBON R	RN72K1J-104JE	1	435031044R1
PCB1	R294	C-CARBON R	RN72K1J-105JE	1	435031054R1
PCB1	R295	C-CARBON R	RN72K1J-000JE	1	435030004R1
PCB1	R297	C-CARBON R	RN72K1J-332JE	1	435033324R1
PCB1	R298	C-CARBON R	RN72K1J-223JE	1	435032234R1
PCB1	R400	C-CARBON R	RN72K1J-331JE	1	435033314R1
PCB1	R401	C-CARBON R	RN72K1J-331JE	1	435033314R1
PCB1	R402	C-CARBON R	RN72K1J-563JE	1	435035634R1
PCB1	R403	C-CARBON R	RN72K1J-563JE	1	435035634R1
PCB1	R404	C-CARBON R	RN72K1J-222JE	1	435032224R1
PCB1	R405	C-CARBON R	RN72K1J-222JE	1	435032224R1
PCB1	R406	C-CARBON R	RN72K1J-224JE	1	435032244R1
PCB1	R407	C-CARBON R	RN72K1J-224JE	1	435032244R1
PCB1	R408	C-CARBON R	RN72K1J-331JE	1	435033314R1
PCB1	R409	C-CARBON R	RN72K1J-331JE	1	435033314R1
PCB1	R410	C-CARBON R	RN72K1J-563JE	1	435035634R1
PCB1	R411	C-CARBON R	RN72K1J-563JE	1	435035634R1
PCB1	R421	C-CARBON R	RN72K1J-222JE	1	435032224R1
PCB1	R422	C-CARBON R	RN72K1J-222JE	1	435032224R1
PCB1	R423	C-CARBON R	RN72K1J-103JE	1	435031034R1
PCB1	R424	C-CARBON R	RN72K1J-103JE	1	435031034R1
PCB1	R4252	C-CARBON R	RN72K1J-000JE	1	435030004R1
PCB1	R426	C-CARBON R	RN72K1J-105JE	1	435031054R1
PCB1	R427	C-CARBON R	RN72K1J-105JE	1	435031054R1
PCB1	R430	C-CARBON R	RN72K1J-000JE	1	435030004R1
PCB1	R431	C-CARBON R	RN72K1J-000JE	1	435030004R1
PCB1	R447	C-CARBON R	RN72K1J-222JE	1	435032224R1
PCB1	R448	C-CARBON R	RN72K1J-222JE	1	435032224R1
PCB1	R449	C-CARBON R	RN72K1J-104JE	1	435031044R1
PCB1	R450	C-CARBON R	RN72K1J-104JE	1	435031044R1
PCB1	R451	C-CARBON R	RN72K1J-224JE	1	435032244R1
PCB1	R452	C-CARBON R	RN72K1J-222JE	1	435032224R1
PCB1	R453	C-CARBON R	RN72K1J-393JE	1	435033934R1
PCB1	R454	C-CARBON R	RN72K1J-123JE	1	435031234R1
PCB1	R455	C-CARBON R	RN72K1J-473JE	1	435034734R1
PCB1	R456	C-CARBON R	RN72K1J-223JE	1	435032234R1
PCB1	R601	C-CARBON R	RN72K1J-222JE	1	435032224R1
PCB1	R602	C-CARBON R	RN72K1J-222JE	1	435032224R1
PCB1	R603	C-CARBON R	RN72K1J-101JE	1	435031014R1
PCB1	R604	C-CARBON R	RN72K1J-101JE	1	435031014R1
PCB1	R605	C-CARBON R	RN72K1J-101JE	1	435031014R1
PCB1	R606	C-CARBON R	RN72K1J-101JE	1	435031014R1
PCB1	R607	C-CARBON R	RN72K1J-273JE	1	435032734R1
PCB1	R608	C-CARBON R	RN72K1J-273JE	1	435032734R1
PCB1	R609	C-CARBON R	RN72K1J-392JE	1	435033924R1
PCB1	R610	C-CARBON R	RN72K1J-104JE	1	435031044R1
PCB1	R611	C-CARBON R	RN72K1J-392JE	1	435033924R1
PCB1	R612	C-CARBON R	RN72K1J-102JE	1	435031024R1

PCB1	R613	C-CARBON R	RN72K1J-101JE	1	435031014R1	<MPP>
PCB1	R613	C-CARBON R	RN72K1J-101JE	1	435031014R1	<DAB MPB>
PCB1	R614	C-CARBON R	RN72K1J-101JE	1	435031014R1	<MPP>
PCB1	R614	C-CARBON R	RN72K1J-101JE	1	435031014R1	<DAB MPB>
PCB1	R701	C-CARBON R	RN72K1J-101JE	1	435031014R1	
PCB1	R702	C-CARBON R	RN72K1J-224JE	1	435032244R1	
PCB1	R703	C-CARBON R	RN72K1J-103JE	1	435031034R1	
PCB1	R704	C-CARBON R	RN72K1J-103JE	1	435031034R1	
PCB1	R705	C-CARBON R	RN72K1J-473JE	1	435034734R1	
PCB1	R706	C-CARBON R	RN72K1J-103JE	1	435031034R1	
PCB1	R707	C-CARBON R	RN72K1J-103JE	1	435031034R1	
PCB1	R708	C-CARBON R	RN72K1J-272JE	1	435032724R1	
PCB1	R709	C-CARBON R	RN72K1J-103JE	1	435031034R1	<MPP>
PCB1	R709	C-CARBON R	RN72K1J-103JE	1	435031034R1	<DAB MPB>
PCB1	R710	C-CARBON R	RN72K1J-103JE	1	435031034R1	
PCB1	R711	C-CARBON R	RN72K1J-103JE	1	435031034R1	
PCB1	R712	C-CARBON R	RN72K1J-103JE	1	435031034R1	
PCB1	R713	C-CARBON R	RN72K1J-103JE	1	435031034R1	<DAB MPB>
PCB1	R714	C-CARBON R	RN72K1J-272JE	1	435032724R1	
PCB1	R715	C-CARBON R	RN72K1J-101JE	1	435031014R1	
PCB1	R716	C-CARBON R	RN72K1J-103JE	1	435031034R1	
PCB1	R717	C-CARBON R	RN72K1J-473JE	1	435034734R1	
PCB1	R718	C-CARBON R	RN72K1J-473JE	1	435034734R1	
PCB1	R719	C-CARBON R	RN72K1J-272JE	1	435032724R1	
PCB1	R720	C-CARBON R	RN72K1J-101JE	1	435031014R1	
PCB1	R721	C-CARBON R	RN72K1J-473JE	1	435034734R1	
PCB1	R722	C-CARBON R	RN72K1J-101JE	1	435031014R1	
PCB1	R723	C-CARBON R	RN72K1J-103JE	1	435031034R1	
PCB1	R724	C-CARBON R	RN72K1J-101JE	1	435031014R1	
PCB1	R725	C-CARBON R	RN72K1J-101JE	1	435031014R1	
PCB1	R726	C-CARBON R	RN72K1J-103JE	1	435031034R1	<MPP>
PCB1	R726	C-CARBON R	RN72K1J-103JE	1	435031034R1	<MDC>
PCB1	R726	C-CARBON R	RN72K1J-103JE	1	435031034R1	<MGT>
PCB1	R726	C-CARBON R	RN72K1J-103JE	1	435031034R1	<MDT>
PCB1	R726	C-CARBON R	RN72K1J-103JE	1	435031034R1	<MGQ>
PCB1	R727	C-CARBON R	RN72K1J-101JE	1	435031014R1	
PCB1	R728	C-CARBON R	RN72K1J-103JE	1	435031034R1	<MDC>
PCB1	R728	C-CARBON R	RN72K1J-103JE	1	435031034R1	<MGT>
PCB1	R728	C-CARBON R	RN72K1J-103JE	1	435031034R1	<MDT>
PCB1	R728	C-CARBON R	RN72K1J-103JE	1	435031034R1	<MGQ>
PCB1	R729	C-CARBON R	RN72K1J-101JE	1	435031014R1	
PCB1	R730	C-CARBON R	RN72K1J-101JE	1	435031014R1	
PCB1	R731	C-CARBON R	RN72K1J-473JE	1	435034734R1	
PCB1	R732	C-CARBON R	RN72K1J-220JE	1	435032204R1	
PCB1	R733	C-CARBON R	RN72K1J-101JE	1	435031014R1	
PCB1	R734	C-CARBON R	RN72K1J-101JE	1	435031014R1	
PCB1	R735	C-CARBON R	RN72K1J-101JE	1	435031014R1	
PCB1	R736	C-CARBON R	RN72K1J-101JE	1	435031014R1	
PCB1	R737	C-CARBON R	RN72K1J-101JE	1	435031014R1	
PCB1	R738	C-CARBON R	RN72K1J-101JE	1	435031014R1	
PCB1	R739	C-CARBON R	RN72K1J-103JE	1	435031034R1	
PCB1	R740	C-CARBON R	RN72K1J-103JE	1	435031034R1	
PCB1	R741	C-CARBON R	RN72K1J-102JE	1	435031024R1	
PCB1	R742	C-CARBON R	RN72K1J-103JE	1	435031034R1	
PCB1	R743	C-CARBON R	RN72K1J-103JE	1	435031034R1	
PCB1	R744	C-CARBON R	RN72K1J-103JE	1	435031034R1	

PCB1	R745	C-CARBON R	RN72K1J-561JE	1	435035614R1	
PCB1	R746	C-CARBON R	RN72K1J-102JE	1	435031024R1	
PCB1	R747	C-CARBON R	RN72K1J-561JE	1	435035614R1	
PCB1	R748	C-CARBON R	RN72K1J-102JE	1	435031024R1	
PCB1	R750	C-CARBON R	RN72K1J-103JE	1	435031034R1	
PCB1	R751	C-CARBON R	RN72K1J-561JE	1	435035614R1	
PCB1	R753	C-CARBON R	RN72K1J-561JE	1	435035614R1	
PCB1	R756	C-CARBON R	RN72K1J-101JE	1	435031014R1	
PCB1	R757	C-CARBON R	RN72K1J-102JE	1	435031024R1	
PCB1	R758	C-CARBON R	RN72K1J-103JE	1	435031034R1	<MPP>
PCB1	R758	C-CARBON R	RN72K1J-000JE	1	435030004R1	<MDC>
PCB1	R758	C-CARBON R	RN72K1J-103JE	1	435031034R1	<MGT>
PCB1	R758	C-CARBON R	RN72K1J-103JE	1	435031034R1	<MGQ>
PCB1	R758	C-CARBON R	RN72K1J-103JE	1	435031034R1	<MDT>
PCB1	R758	C-CARBON R	RN72K1J-103JE	1	435031034R1	<DAB MPB>
PCB1	R759	C-CARBON R	RN72K1J-103JE	1	435031034R1	
PCB1	R760	C-CARBON R	RN72K1J-333JE	1	435033334R1	<MPP>
PCB1	R760	C-CARBON R	RN72K1J-333JE	1	435033334R1	<MGT>
PCB1	R760	C-CARBON R	RN72K1J-333JE	1	435033334R1	<MGQ>
PCB1	R760	C-CARBON R	RN72K1J-333JE	1	435033334R1	<MDT>
PCB1	R760	C-CARBON R	RN72K1J-333JE	1	435033334R1	<DAB MPB>
PCB1	R761	C-CARBON R	RN72K1J-000JE	1	435030004R1	<MPP>
PCB1	R761	C-CARBON R	RN72K1J-000JE	1	435030004R1	<MDC>
PCB1	R761	C-CARBON R	RN72K1J-000JE	1	435030004R1	<MGT>
PCB1	R761	C-CARBON R	RN72K1J-000JE	1	435030004R1	<MDT>
PCB1	R761	C-CARBON R	RN72K1J-000JE	1	435030004R1	<MGQ>
PCB1	R761	C-CARBON R	RN72K1J-000JE	1	435030004R1	<DAB MPB>
PCB1	R763	C-CARBON R	RN72K1J-101JE	1	435031014R1	
PCB1	R764	C-CARBON R	RN72K1J-103JE	1	435031034R1	
PCB1	R765	C-CARBON R	RN72K1J-101JE	1	435031014R1	
PCB1	R766	C-CARBON R	RN72K1J-103JE	1	435031034R1	
PCB1	R767	C-CARBON R	RN72K1J-101JE	1	435031014R1	
PCB1	R768	C-CARBON R	RN72K1J-272JE	1	435032724R1	
PCB1	R769	C-CARBON R	RN72K1J-473JE	1	435034734R1	
PCB1	R770	C-CARBON R	RN72K1J-101JE	1	435031014R1	
PCB1	R771	C-CARBON R	RN72K1J-101JE	1	435031014R1	
PCB1	R772	C-CARBON R	RN72K1J-470JE	1	435034704R1	
PCB1	R773	C-CARBON R	RN72K1J-272JE	1	435032724R1	
PCB1	R774	C-CARBON R	RN72K1J-470JE	1	435034704R1	
PCB1	R775	C-CARBON R	RN72K1J-470JE	1	435034704R1	
PCB1	R776	C-CARBON R	RN72K1J-101JE	1	435031014R1	
PCB1	R777	C-CARBON R	RN72K1J-470JE	1	435034704R1	
PCB1	R778	C-CARBON R	RN72K1J-473JE	1	435034734R1	
PCB1	R779	C-CARBON R	RN72K1J-473JE	1	435034734R1	
PCB1	R780	C-CARBON R	RN72K1J-473JE	1	435034734R1	
PCB1	R781	C-CARBON R	RN72K1J-101JE	1	435031014R1	
PCB1	R782	C-CARBON R	RN72K1J-101JE	1	435031014R1	
PCB1	R783	C-CARBON R	RN72K1J-101JE	1	435031014R1	
PCB1	R784	C-CARBON R	RN72K1J-101JE	1	435031014R1	
PCB1	R785	C-CARBON R	RN72K1J-101JE	1	435031014R1	
PCB1	R786	C-CARBON R	RN72K1J-101JE	1	435031014R1	
PCB1	R787	C-CARBON R	RN72K1J-103JE	1	435031034R1	
PCB1	R788	C-CARBON R	RN72K1J-103JE	1	435031034R1	
PCB1	R789	C-CARBON R	RN72K1J-101JE	1	435031014R1	
PCB1	R790	C-CARBON R	RN72K1J-473JE	1	435034734R1	
PCB1	R7901	C-CARBON R	RN72K1J-471JE	1	435034714R1	

PCB1	R791	C-CARBON R	RN72K1J-101JE	1	435031014R1	
PCB1	R792	C-CARBON R	RN72K1J-101JE	1	435031014R1	
PCB1	R793	C-CARBON R	RN72K1J-103JE	1	435031034R1	
PCB1	R794	C-CARBON R	RN72K1J-101JE	1	435031014R1	
PCB1	R795	C-CARBON R	RN72K1J-101JE	1	435031014R1	
PCB1	R796	C-CARBON R	RN72K1J-101JE	1	435031014R1	
PCB1	R797	C-CARBON R	RN72K1J-473JE	1	435034734R1	
PCB1	R799	C-CARBON R	RN72K1J-473JE	1	435034734R1	
PCB1	R907	METAL R	RNU1/2WCJ-4.7	1	453530474T	
PCB1	R910	METAL O R	RS1/2WBJ-10	1	443521004T	
PCB1	R911	METAL R	RNU1/2WCJ-0.47	1	453534794T	
PCB1	R927	METAL O R	RS1/2WBJ-27	1	443522704T	
PCB1	R928	METAL O R	RS1/2WBJ-27	1	443522704T	
PCB1	R941	METAL O R	RS1/2WBJ-22	1	443522204T	
PCB1	R942	C-CARBON R	RN72K1J-822JE	1	435038224R1	
PCB1	R943	C-CARBON R	RN72K1J-822JE	1	435038224R1	
PCB1	R944	C-CARBON R	RN72K1J-333JE	1	435033334R1	
PCB1	R945	DIODE	RLIN4003	1	22380260T	
PCB1	R946	METAL R	RNU1/2WCJ-2.2	1	453530224T	
PCB1	R951	METAL R	RNU1/2WCJ-0.1	1	453531094T	
PCB1	R953	C-CARBON R	RN72K1J-000JE	1	435030004R1	
PCB1	R954	C-CARBON R	RN72K1J-102JE	1	435031024R1	
PCB1	R956	C-CARBON R	RN72K1J-332JE	1	435033324R1	
PCB1	R2244	C-CARBON R	RN72K1J-122JE	1	435031224R1	
PCB1	R2245	C-CARBON R	RN72K1J-122JE	1	435031224R1	
PCB1	R2246	C-CARBON R	RN72K1J-000JE	1	435030004R1	
PCB1	R2247	C-CARBON R	RN72K1J-000JE	1	435030004R1	
PCB1	R2248	C-CARBON R	RN72K1J-224JE	1	435032244R1	
PCB1	R2249	C-CARBON R	RN72K1J-224JE	1	435032244R1	
PCB1	R2250	C-CARBON R	RN72K1J-272JE	1	435032724R1	
PCB1	R2251	C-CARBON R	RN72K1J-272JE	1	435032724R1	
PCB1	R2252	C-CARBON R	RN72K1J-682JE	1	435036824R1	
PCB1	R2253	C-CARBON R	RN72K1J-682JE	1	435036824R1	
PCB1	R2254	C-CARBON R	RN72K1J-103JE	1	435031034R1	
PCB1	R2255	C-CARBON R	RN72K1J-103JE	1	435031034R1	
PCB1	R2256	C-CARBON R	RN72K1J-472JE	1	435034724R1	
PCB1	R2257	C-CARBON R	RN72K1J-472JE	1	435034724R1	
PCB1	R2258	C-CARBON R	RN72K1J-102JE	1	435031024R1	
PCB1	R2259	C-CARBON R	RN72K1J-102JE	1	435031024R1	
PCB1	R2260	C-CARBON R	RN72K1J-224JE	1	435032244R1	
PCB1	R2261	C-CARBON R	RN72K1J-224JE	1	435032244R1	
PCB1	R2262	C-CARBON R	RN72K1J-224JE	1	435032244R1	
PCB1	R2263	C-CARBON R	RN72K1J-184JE	1	435031844R1	
PCB1	R2264	METAL O R	RS1/2WBJ-22	1	443522204T	
PCB1	R2265	METAL O R	RS1/2WBJ-22	1	443522204T	
PCB1	R7101	C-CARBON R	RN72K1J-561JE	1	435035614R1	<DAB MPB>
PCB1	R7102	C-CARBON R	RN72K1J-561JE	1	435035614R1	<DAB MPB>
PCB1	R7103	C-CARBON R	RN72K1J-103JE	1	435031034R1	<DAB MPB>
PCB1	R7104	C-CARBON R	RN72K1J-000JE	1	435030004R1	<DAB MPB>
PCB1	R7105	C-CARBON R	RN72K1J-000JE	1	435030004R1	<DAB MPB>
PCB1	R7107	C-CARBON R	RN72K1J-000JE	1	435030004R1	<DAB MPB>
PCB1	R7111	C-CARBON R	RN72K1J-101JE	1	435031014R1	<DAB MPB>
PCB1	R7112	C-CARBON R	RN72K1J-101JE	1	435031014R1	<DAB MPB>
PCB1	R8002	C-CARBON R	RN72K1J-000JE	1	435030004R1	
PCB1	R8003	C-CARBON R	RN72K1J-000JE	1	435030004R1	
PCB1	R8004	C-CARBON R	RN72K1J-000JE	1	435030004R1	

PCB1	R8005	C-CARBON R	RN72K1J-000JE	1	435030004R1	
PCB1	R8006	C-CARBON R	RN72K1J-000JE	1	435030004R1	
PCB1	R8007	C-CARBON R	RN72K1J-000JE	1	435030004R1	
PCB1	R8009	C-CARBON R	RN72K1J-000JE	1	435030004R1	
PCB1	R8010	C-CARBON R	RN72K1J-000JE	1	435030004R1	
PCB1	R8012	C-CARBON R	RN72K1J-000JE	1	435030004R1	
PCB1	R8013	C-CARBON R	RN72K1J-000JE	1	435030004R1	
PCB1	R8014	C-CARBON R	RN72K1J-000JE	1	435030004R1	
PCB1	R8015	C-CARBON R	RN72K1J-000JE	1	435030004R1	
PCB1	R8016	C-CARBON R	RN72K1J-000JE	1	435030004R1	
PCB1	R8017	C-CARBON R	RN72K1J-000JE	1	435030004R1	
PCB1	R8018	C-CARBON R	RN72K1J-000JE	1	435030004R1	
PCB1	R8019	C-CARBON R	RN72K1J-000JE	1	435030004R1	
PCB1	R8020	C-CARBON R	RN72K1J-000JE	1	435030004R1	
PCB1	R8021	C-CARBON R	RN72K1J-000JE	1	435030004R1	
PCB1	R8022	C-CARBON R	RN72K1J-000JE	1	435030004R1	
PCB1	P204	PLUG	NPLG-6P134	1	25055150	
PCB1	P206	PLUG	NPLG-5P133	1	25055149	
PCB1	P207	SOCKET	16FMZ-ST	1	25053093	
PCB1	P208	PLUG	NPLG-2P29	1	25055038	
PCB1	P331A	SOCKET	NSCT-12P1027	1	25051237	
PCB1	P331B	PLUG	NPLG-12P664	1	25055708	
PCB1	P332A	SOCKET	NSCT-20P1031	1	25051241	
PCB1	P332B	PLUG	NPLG-20P668	1	25055712	
PCB1	P401	PIN JACK	NPJ-6PDWWRRR561	1	25045779	
PCB1	P401 or	PIN JACK	NPJ-6PDRW386	(1)	25045571	
PCB1	P401 or	PIN JACK	NPJ-6PDBL279	(1)	25045458	
PCB1	P403	ST JACK	LGY2502-0200FC	1	25045696	
PCB1	P499A	SOCKET	NSCT-5P1020	1	25051230	
PCB1	P499B	PLUG	NPLG-5P657	1	25055701	
PCB1	P771A	SOCKET	NSCT-6P1021	1	25051231	
PCB1	P771B	PLUG	NPLG-6P658	1	25055702	
PCB1	P903	PLUG	NPLG-2P116	1	25055132	
PCB1	P905A	PLUG	NPLG-4P118	1	25055134	
PCB1	P941	PLUG	NPLG-4P118	1	25055134	
PCB1	P1101A	SOCKET	NSCT-13P2106	1	25052209	
PCB1	P7001	SOCKET	NSCT-18P2409	1	25052512	
PCB1	P7102A	SOCKET	NSCT-9P1024	1	25051234	<DAB MPB>
PCB1	P7102B	PLUG	NPLG-9P661	1	25055705	<DAB MPB>
PCB1	P7103	PLUG	9210B-2-44Z653-PT1	1	25056582	<DAB MPB>
PCB1	E001	WS CLAMP	CB-71683(L=50)	1	260261	<DAB MPB>
PCB1	J1	PVC	1007#24 .2/7HAND B	1	---	NSP
PCB1	J3	PVC	1007#24 .2/7HAND B	1	---	NSP
PCB1	J4	PVC	1007#24 .2/7HAND B	1	---	NSP
PCB1	J5	PVC	1007#24 .2/7HAND B	1	---	NSP
PCB1	J6	PVC	1007#24 .2/7HAND B	1	---	NSP
PCB1	JL902	SOCKET	NSCT-6P98	1	25050270	
PCB1	JL4101B	WIRE TRAP	NPLG-7P590	1	25055628	
PCB1	JL503B	WIRE TRAP	NPLG-3P586	1	25055624	
PCB1	A101	TAPE	TAPE(CLOTH-8U)	(1)	29110082	

U05	DISPLAY PC BOARD (NADIS-8935-1A / 1B / 1C / 1D / 1E / 1F)
U06	POWER AMPLIFIER PC BOARD (NAAF-8936-1A / 1B / 1C / 1D / 1E / 1F)
U07	POWER SUPPLY PC BOARD (NAPS-8937-1A / 1B / 1C / 1D / 1E / 1F)
U08	SPEAKER TERMINAL PC BOARD (NAETC-8938-1B)
U09	SPEAKER TERMINAL PC BOARD (NAETC-8939-1A / 1C / 1D / 1E / 1F)

<Note1> U08 : MDC Only

<Note2> U09 : MPP, MGT, MDT, MGQ, DAB MPB Only

	CIRCUIT NO.	PART NAME	DESCRIPTION	Q'TY	PART NO. (SN)	REMARKS
PCB2	U801	REMO SENS	GP1UM271XK0FH=12MM	1	241360	
PCB2	Q802	FL TUBE	14-ST-56GNK	1	212261	
PCB2	Q802A	HOLDER	(FL)	1	27191281	
PCB2	Q801	IC (SUB MICROPROCESSOR)	UPD780232GC-091-8BT-A	1	22241989R3	
PCB2	Q491	TR	RN1441	1	2215410R2	
PCB2	Q492	TR	RN1441	1	2215410R2	
PCB2	Q493	TR	RN1441	1	2215410R2	
PCB2	Q494	TR	RN1441	1	2215410R2	
PCB2	Q501	TR	2SC1622A(D17)	1	2216153R2	
PCB2	Q501 or	TR	2SC1622A-T-AZ	(1)	2216154R2	
PCB2	Q501 or	TR	2SC2713-BL	(1)	2213136R2	
PCB2	Q502	TR	2SC1622A(D17)	1	2216153R2	
PCB2	Q502 or	TR	2SC1622A-T-AZ	(1)	2216154R2	
PCB2	Q502 or	TR	2SC2713-BL	(1)	2213136R2	
PCB2	Q503	TR	2SC1622A(D17)	1	2216153R2	
PCB2	Q503 or	TR	2SC1622A-T-AZ	(1)	2216154R2	
PCB2	Q503 or	TR	2SC2713-BL	(1)	2213136R2	
PCB2	Q504	TR	2SC1622A(D17)	1	2216153R2	
PCB2	Q504 or	TR	2SC1622A-T-AZ	(1)	2216154R2	
PCB2	Q504 or	TR	2SC2713-BL	(1)	2213136R2	
PCB2	Q505	TR	2SC2712-GR	1	2213145R2	
PCB2	Q506	TR	2SC2712-GR	1	2213145R2	
PCB2	Q509	TR	2SA1015-GR	1	2211455T	
PCB2	Q510	TR	2SA1015-GR	1	2211455T	
PCB2	Q511	TR	2SA1015-GR	1	2211455T	
PCB2	Q512	TR	2SA1015-GR	1	2211455T	
PCB2	Q515	TR	2SA1015-GR	1	2211455T	
PCB2	Q516	TR	2SA1015-GR	1	2211455T	
PCB2	Q517	TR	2SC1815-GR	1	2211255T	
PCB2	Q518	TR	2SC1815-GR	1	2211255T	
PCB2	Q519	TR	2SC1815-GR	1	2211255T	
PCB2	Q520	TR	2SC1815-GR	1	2211255T	
PCB2	Q551	TR	2SC2712-GR	1	2213145R2	
PCB2	Q552	TR	2SC2712-GR	1	2213145R2	
PCB2	Q553	TR	2SC2235-O(TPE6_F)	1	2211653T	
PCB2	Q554	TR	2SC2235-O(TPE6_F)	1	2211653T	
PCB2	Q555	TR	2SA965-O(TPE6_F)	1	2211643T	
PCB2	Q556	TR	2SA965-O(TPE6_F)	1	2211643T	
PCB2	Q561	TR	2SA1162-GR	1	2214375R2	
PCB2	Q562	TR	2SA1162-GR	1	2214375R2	
PCB2	Q581	TR	2SC2712-GR	1	2213145R2	
PCB2	Q582	TR	2SC2712-GR	1	2213145R2	
PCB2	Q583	TR	2SA1015-GR	1	2211455T	
PCB2	Q803	TR	2SC2712-GR	1	2213145R2	
PCB2	Q804	TR	2SC2712-GR	1	2213145R2	
PCB2	Q901	TR	DTC123JKA	1	2216690R2	
PCB2	D501	C-DIODE	ISS355	1	223269R2	
PCB2	D502	C-DIODE	ISS355	1	223269R2	
PCB2	D503	ZENER D	UDZS5.6B	1	224550560R2	
PCB2	D504	ZENER D	UDZS5.6B	1	224550560R2	
PCB2	D581	ZENER D	UDZS5.1B	1	224550510R2	
PCB2	D801	ZENER D	UDZS5.6B	1	224550560R2	

PCB2	D811	LED	SLI-343URC-T32	1	225436T	
PCB2	D902	C-DIODE	ISS355	1	223269R2	
PCB2	D903	C-DIODE	ISS355	1	223269R2	
PCB2	D904	C-DIODE	ISS355	1	223269R2	
PCB2	D981	DIODE	D3SBA20	1	22380271F	
PCB2	D981 or	DIODE	RBV402	(1)	22380022F	
PCB2	X801	CERA LOCK	CSTLS5M00G56-A0	1	3010406T	
PCB2	T902	P TRANS	NPT-1520GQ	1	2301813A	!, <MPP>
PCB2	T902	P TRANS	NPT-1520JQ	1	2301812	!, <MDC>
PCB2	T902	P TRANS	NPT-1520GQ	1	2301813A	!, <MGT>
PCB2	T902	P TRANS	NPT-1520JQ	1	2301812	!, <MDT>
PCB2	T902	P TRANS	NPT-1520GQ	1	2301813A	!, <MGQ>
PCB2	T902	P TRANS	NPT-1520GQ	1	2301813A	!, <DAB MPB>
PCB2	L571	S COIL	S-1.3C	1	231176S	<MPP>
PCB2	L571	S COIL	S-1.3C	1	231176S	<MGT>
PCB2	L571	S COIL	S-1.3C	1	231176S	<MDT>
PCB2	L571	S COIL	S-1.3C	1	231176S	<MGQ>
PCB2	L571	S COIL	S-1.3C	1	231176S	<DAB MPB>
PCB2	L572	S COIL	S-1.3C	1	231176S	<MPP>
PCB2	L572	S COIL	S-1.3C	1	231176S	<MGT>
PCB2	L572	S COIL	S-1.3C	1	231176S	<MDT>
PCB2	L572	S COIL	S-1.3C	1	231176S	<MGQ>
PCB2	L572	S COIL	S-1.3C	1	231176S	<DAB MPB>
PCB2	L573	S COIL	S-1.3C	1	231176S	<MDC>
PCB2	L574	S COIL	S-1.3C	1	231176S	<MDC>
PCB2	L801	CHOKE COIL	NCH-1475	1	231237K100R2	
PCB2	L802	CHOKE COIL	NCH-1475	1	231237K100R2	
PCB2	L873	EMIFIL	BK1608LM182-T	1	230958R1	
PCB2	L874	EMIFIL	BK1608LM182-T	1	230958R1	
PCB2	L875	EMIFIL	BK1608LM182-T	1	230958R1	
PCB2	L881	EMIFIL	BK1608LM182-T	1	230958R1	
PCB2	L882	EMIFIL	BK1608LM182-T	1	230958R1	
PCB2	L883	EMIFIL	BK1608LM182-T	1	230958R1	
PCB2	L901	CHOKE COIL	NCH-3567	1	231287	!
PCB2	C501	VX C	CE04W50V-47M(VX_BLK)	1	397384707T	
PCB2	C502	VX C	CE04W50V-47M(VX_BLK)	1	397384707T	
PCB2	C503	TF C	ECQ-B50V-221K	1	374722215T	
PCB2	C504	TF C	ECQ-B50V-221K	1	374722215T	
PCB2	C505	VX C	CE04W50V-22M(VX_BLK)	1	397382207T	
PCB2	C506	VX C	CE04W50V-22M(VX_BLK)	1	397382207T	
PCB2	C509	VX C	CE04W10V-220M(VX_BLK)	1	397332217T	
PCB2	C510	VX C	CE04W10V-220M(VX_BLK)	1	397332217T	
PCB2	C517	VX C	CE04W50V-10M(VX_BLK)	1	397381007T	
PCB2	C518	VX C	CE04W50V-10M(VX_BLK)	1	397381007T	
PCB2	C525	C-CERA C	CC725CH1H-220J1	1	342102204R1	
PCB2	C526	C-CERA C	CC725CH1H-220J1	1	342102204R1	
PCB2	C541	VX C	CE04W50V-220M(VX_BLK)	1	397382217T	
PCB2	C542	VX C	CE04W50V-220M(VX_BLK)	1	397382217T	
PCB2	C551	VX C	CE04W50V-10M(VX_BLK)	1	397381007T	
PCB2	C552	VX C	CE04W50V-10M(VX_BLK)	1	397381007T	
PCB2	C553	TF C	ECQ-V50V-473J	1	374724734T	
PCB2	C554	TF C	ECQ-V50V-473J	1	374724734T	
PCB2	C571	TF C	ECQ-B50V-102J	1	374721024T	<MPP>
PCB2	C571	TF C	ECQ-B50V-102J	1	374721024T	<MGT>
PCB2	C571	TF C	ECQ-B50V-102J	1	374721024T	<MDT>
PCB2	C571	TF C	ECQ-B50V-102J	1	374721024T	<MGQ>

PCB2	C571	TF C	ECQ-B50V-102J	1	374721024T	<DAB MPB>
PCB2	C572	TF C	ECQ-B50V-102J	1	374721024T	<MPP>
PCB2	C572	TF C	ECQ-B50V-102J	1	374721024T	<MGT>
PCB2	C572	TF C	ECQ-B50V-102J	1	374721024T	<MDT>
PCB2	C572	TF C	ECQ-B50V-102J	1	374721024T	<MGQ>
PCB2	C572	TF C	ECQ-B50V-102J	1	374721024T	<DAB MPB>
PCB2	C573	TF C	ECQ-B50V-102J	1	374721024T	<MPP>
PCB2	C573	TF C	ECQ-B50V-102J	1	374721024T	<MGT>
PCB2	C573	TF C	ECQ-B50V-102J	1	374721024T	<MDT>
PCB2	C573	TF C	ECQ-B50V-102J	1	374721024T	<MGQ>
PCB2	C573	TF C	ECQ-B50V-102J	1	374721024T	<DAB MPB>
PCB2	C574	TF C	ECQ-B50V-102J	1	374721024T	<MPP>
PCB2	C574	TF C	ECQ-B50V-102J	1	374721024T	<MGT>
PCB2	C574	TF C	ECQ-B50V-102J	1	374721024T	<MDT>
PCB2	C574	TF C	ECQ-B50V-102J	1	374721024T	<MGQ>
PCB2	C574	TF C	ECQ-B50V-102J	1	374721024T	<DAB MPB>
PCB2	C575	TF C	ECQ-B50V-102J	1	374721024T	<MPP>
PCB2	C575	TF C	ECQ-B50V-102J	1	374721024T	<MGT>
PCB2	C575	TF C	ECQ-B50V-102J	1	374721024T	<MDT>
PCB2	C575	TF C	ECQ-B50V-102J	1	374721024T	<MGQ>
PCB2	C575	TF C	ECQ-B50V-102J	1	374721024T	<DAB MPB>
PCB2	C583	VX C	CE04W50V-1M(VX_BLK)	1	397380107T	
PCB2	C592	TF C	ECQ-B50V-102J	1	374721024T	<MDC>
PCB2	C593	TF C	ECQ-B50V-102J	1	374721024T	<MDC>
PCB2	C594	TF C	ECQ-B50V-102J	1	374721024T	<MDC>
PCB2	C595	TF C	ECQ-B50V-102J	1	374721024T	<MDC>
PCB2	C596	TF C	ECQ-B50V-102J	1	374721024T	<MDC>
PCB2	C801	ELECT C	CE04W16V-47M	1	355744709T	
PCB2	C802	C-CERA C	CK725F1H-224Z1	1	332152240R1	
PCB2	C806	C-CERA C	CK725F1H-104Z1	1	332151040R1	
PCB2	C807	C-CERA C	CK725F1H-104Z1	1	332151040R1	
PCB2	C809	C-CERA C	CK725F1H-104Z1	1	332151040R1	
PCB2	C810	C-CERA C	CK725F1H-104Z1	1	332151040R1	
PCB2	C811	C-CERA C	CK725F1H-104Z1	1	332151040R1	
PCB2	C812	C-CERA C	CK725F1H-104Z1	1	332151040R1	
PCB2	C815	C-CERA C	CC725CH1H-330J1	1	342103304R1	
PCB2	C816	C-CERA C	CC725CH1H-330J1	1	342103304R1	
PCB2	C817	C-CERA C	CC725CH1H-330J1	1	342103304R1	
PCB2	C818	C-CERA C	CC725CH1H-330J1	1	342103304R1	
PCB2	C819	C-CERA C	CC725CH1H-330J1	1	342103304R1	
PCB2	C820	C-CERA C	CK725F1H-104Z1	1	332151040R1	
PCB2	C821	ELECT C	CE04W16V-47M	1	355744709T	
PCB2	C823	C-CERA C	CC725CH1H-221J1	1	342102214R1	
PCB2	C824	C-CERA C	CC725CH1H-221J1	1	342102214R1	
PCB2	C871	C-CERA C	CC725CH1H-102J1	1	342101024R1	
PCB2	C872	C-CERA C	CC725CH1H-102J1	1	342101024R1	
PCB2	C873	C-CERA C	CK725F1H-103Z1	1	332151030R1	
PCB2	C874	C-CERA C	CK725F1H-104Z1	1	332151040R1	
PCB2	C878	C-CERA C	CK725F1H-104Z1	1	332151040R1	
PCB2	C881	C-CERA C	CC725CH1H-221J1	1	342102214R1	
PCB2	C882	C-CERA C	CC725CH1H-221J1	1	342102214R1	
PCB2	C885	C-CERA C	CK725F1H-104Z1	1	332151040R1	
PCB2	C901	IS C	DE1007E472M-KY	1	3300063	!
PCB2	C902	IS C	DE1007E472M-KY	1	3300063	!
PCB2	C903	IS C	DE1007E472M-KY	1	3300063	!
PCB2	C904	TF C	ECQ-B50V-223J	1	374722234T	

PCB2	C909	VX C	CE04W50V-4.7M(VX_BLK)	1	397380477T	
PCB2	C914	C-CERA C	CK725F1H-104Z1	1	332151040R1	
PCB2	C961	TF C	ECQ-V50V-104J	1	374721044T	
PCB2	C981	TF C	ECQ-V50V-334J	1	374723344T	
PCB2	C982	TF C	ECQ-V50V-334J	1	374723344T	
PCB2	C983	ELECT C	CE04W25V-3300M(RZ)	1	3504447S	
PCB2	C984	ELECT C	CE04W25V-3300M(RZ)	1	3504447S	
PCB2	R501	C-CARBON R	RN72K1J-333JE	1	435033334R1	
PCB2	R502	C-CARBON R	RN72K1J-333JE	1	435033334R1	
PCB2	R503	C-CARBON R	RN72K1J-123JE	1	435031234R1	
PCB2	R504	C-CARBON R	RN72K1J-123JE	1	435031234R1	
PCB2	R505	C-CARBON R	RN72K1J-223JE	1	435032234R1	
PCB2	R506	C-CARBON R	RN72K1J-223JE	1	435032234R1	
PCB2	R507	C-CARBON R	RN72K1J-471JE	1	435034714R1	
PCB2	R508	C-CARBON R	RN72K1J-471JE	1	435034714R1	
PCB2	R509	C-CARBON R	RN72K1J-821JE	1	435038214R1	
PCB2	R510	C-CARBON R	RN72K1J-821JE	1	435038214R1	
PCB2	R511	C-CARBON R	RN72K1J-821JE	1	435038214R1	
PCB2	R512	C-CARBON R	RN72K1J-821JE	1	435038214R1	
PCB2	R513	C-CARBON R	RN72K1J-332JE	1	435033324R1	
PCB2	R514	C-CARBON R	RN72K1J-332JE	1	435033324R1	
PCB2	R515	C-CARBON R	RN72K1J-821JE	1	435038214R1	
PCB2	R516	C-CARBON R	RN72K1J-821JE	1	435038214R1	
PCB2	R517	C-CARBON R	RN72K1J-333JE	1	435033334R1	
PCB2	R518	C-CARBON R	RN72K1J-333JE	1	435033334R1	
PCB2	R519	METAL O R	RS1/2WBJ-39	1	443523904T	
PCB2	R520	METAL O R	RS1/2WBJ-39	1	443523904T	
PCB2	R521	METAL O R	RS1/2WBJ-39	1	443523904T	
PCB2	R522	METAL O R	RS1/2WBJ-39	1	443523904T	
PCB2	R523	C-CARBON R	RN72K1J-682JE	1	435036824R1	
PCB2	R524	C-CARBON R	RN72K1J-682JE	1	435036824R1	
PCB2	R525	C-CARBON R	RN72K1J-183JE	1	435031834R1	
PCB2	R526	C-CARBON R	RN72K1J-183JE	1	435031834R1	
PCB2	R527	C-CARBON R	RN72K1J-183JE	1	435031834R1	
PCB2	R528	C-CARBON R	RN72K1J-183JE	1	435031834R1	
PCB2	R533	METAL O R	RS1/2WBJ-33	1	443523304T	
PCB2	R534	METAL O R	RS1/2WBJ-33	1	443523304T	
PCB2	R535	METAL O R	RS1/2WBJ-39	1	443523904T	
PCB2	R536	METAL O R	RS1/2WBJ-39	1	443523904T	
PCB2	R537	C-CARBON R	RN72K1J-181JE	1	435031814R1	
PCB2	R538	C-CARBON R	RN72K1J-181JE	1	435031814R1	
PCB2	R539	C-CARBON R	RN72K1J-181JE	1	435031814R1	
PCB2	R540	C-CARBON R	RN72K1J-181JE	1	435031814R1	
PCB2	R541	METAL O R	RS1/2WBJ-22	1	443522204T	
PCB2	R542	METAL O R	RS1/2WBJ-22	1	443522204T	
PCB2	R543	C-CARBON R	RN72K1J-471JE	1	435034714R1	
PCB2	R544	C-CARBON R	RN72K1J-471JE	1	435034714R1	
PCB2	R545	METAL O R	RS1/2WBJ-10	1	443521004T	<MDC>
PCB2	R546	METAL O R	RS1/2WBJ-10	1	443521004T	<MDC>
PCB2	R547	C-CARBON R	RN72K1J-103JE	1	435031034R1	<MDC>
PCB2	R548	C-CARBON R	RN72K1J-103JE	1	435031034R1	<MDC>
PCB2	R549	C-CARBON R	RN72K1J-681JE	1	435036814R1	<MDC>
PCB2	R551	C-CARBON R	RN72K1J-152FE	1	435031522R1	
PCB2	R552	C-CARBON R	RN72K1J-152FE	1	435031522R1	
PCB2	R553	C-CARBON R	RN72K1J-681FE	1	435036812R1	
PCB2	R554	C-CARBON R	RN72K1J-681FE	1	435036812R1	

PCB2	R555	C-CARBON R	RN72K1J-472FE	1	435034722R1	
PCB2	R556	C-CARBON R	RN72K1J-472FE	1	435034722R1	
PCB1	<Note>					
PCB1	Circuit No. : R551 - R556 ---> Resistance tolerance : F class (+1 / -1 %)					
PCB2	R557	METAL O R	RS1/2WBJ-82	1	443528204T	
PCB2	R558	METAL O R	RS1/2WBJ-82	1	443528204T	
PCB2	R559	METAL R	RNU2WCJ-0.22	1	452732294F	
PCB2	R560	METAL R	RNU2WCJ-0.22	1	452732294F	
PCB2	R561	METAL R	RNU2WCJ-0.22	1	452732294F	
PCB2	R562	METAL R	RNU2WCJ-0.22	1	452732294F	
PCB2	R563	METAL R	RNU1/2WCJ-8.2	1	453530824T	
PCB2	R564	METAL R	RNU1/2WCJ-8.2	1	453530824T	
PCB2	R565	C-CARBON R	RN72K1J-101FE	1	435031012R1	
PCB2	R566	C-CARBON R	RN72K1J-101FE	1	435031012R1	
PCB2	R571	METAL O R	RS1/2WBJ-10	1	443521004T	<MPP>
PCB2	R571	METAL O R	RS1/2WBJ-10	1	443521004T	<MGT>
PCB2	R571	METAL O R	RS1/2WBJ-10	1	443521004T	<MDT>
PCB2	R571	METAL O R	RS1/2WBJ-10	1	443521004T	<MGQ>
PCB2	R571	METAL O R	RS1/2WBJ-10	1	443521004T	<DAB MPB>
PCB2	R572	METAL O R	RS1/2WBJ-10	1	443521004T	<MPP>
PCB2	R572	METAL O R	RS1/2WBJ-10	1	443521004T	<MGT>
PCB2	R572	METAL O R	RS1/2WBJ-10	1	443521004T	<MDT>
PCB2	R572	METAL O R	RS1/2WBJ-10	1	443521004T	<MGQ>
PCB2	R572	METAL O R	RS1/2WBJ-10	1	443521004T	<DAB MPB>
PCB2	R573	C-CARBON R	RN72K1J-103JE	1	435031034R1	<MPP>
PCB2	R573	C-CARBON R	RN72K1J-103JE	1	435031034R1	<MGT>
PCB2	R573	C-CARBON R	RN72K1J-103JE	1	435031034R1	<MDT>
PCB2	R573	C-CARBON R	RN72K1J-103JE	1	435031034R1	<MGQ>
PCB2	R573	C-CARBON R	RN72K1J-103JE	1	435031034R1	<DAB MPB>
PCB2	R574	C-CARBON R	RN72K1J-103JE	1	435031034R1	<MPP>
PCB2	R574	C-CARBON R	RN72K1J-103JE	1	435031034R1	<MGT>
PCB2	R574	C-CARBON R	RN72K1J-103JE	1	435031034R1	<MDT>
PCB2	R574	C-CARBON R	RN72K1J-103JE	1	435031034R1	<MGQ>
PCB2	R574	C-CARBON R	RN72K1J-103JE	1	435031034R1	<DAB MPB>
PCB2	R575	C-CARBON R	RN72K1J-681JE	1	435036814R1	<MPP>
PCB2	R575	C-CARBON R	RN72K1J-681JE	1	435036814R1	<MGT>
PCB2	R575	C-CARBON R	RN72K1J-681JE	1	435036814R1	<MDT>
PCB2	R575	C-CARBON R	RN72K1J-681JE	1	435036814R1	<MGQ>
PCB2	R575	C-CARBON R	RN72K1J-681JE	1	435036814R1	<DAB MPB>
PCB2	R577	C-CARBON R	RN72K1J-561JE	1	435035614R1	
PCB2	R578	C-CARBON R	RN72K1J-561JE	1	435035614R1	
PCB2	R581	C-CARBON R	RN72K1J-123JE	1	435031234R1	
PCB2	R582	C-CARBON R	RN72K1J-123JE	1	435031234R1	
PCB2	R583	C-CARBON R	RN72K1J-562JE	1	435035624R1	
PCB2	R584	C-CARBON R	RN72K1J-562JE	1	435035624R1	
PCB2	R585	C-CARBON R	RN72K1J-333JE	1	435033334R1	
PCB2	R586	C-CARBON R	RN72K1J-333JE	1	435033334R1	
PCB2	R587	C-CARBON R	RN72K1J-103JE	1	435031034R1	
PCB2	R588	C-CARBON R	RN72K1J-183JE	1	435031834R1	
PCB2	R589	C-CARBON R	RN72K1J-103JE	1	435031034R1	
PCB2	R597	C-CARBON R	RN72K1J-101JE	1	435031014R1	
PCB2	R598	C-CARBON R	RN72K1J-101JE	1	435031014R1	
PCB2	R801	C-CARBON R	RN72K1J-104JE	1	435031044R1	
PCB2	R802	C-CARBON R	RN72K1J-104JE	1	435031044R1	
PCB2	R803	C-CARBON R	RN72K1J-104JE	1	435031044R1	
PCB2	R804	C-CARBON R	RN72K1J-104JE	1	435031044R1	

PCB2	R806	C-CARBON R	RN72K1J-223JE	1	435032234R1	
PCB2	R807	C-CARBON R	RN72K1J-223JE	1	435032234R1	
PCB2	R808	C-CARBON R	RN72K1J-103JE	1	435031034R1	
PCB2	R809	C-CARBON R	RN72K1J-103JE	1	435031034R1	
PCB2	R810	C-CARBON R	RN72K1J-272JE	1	435032724R1	
PCB2	R811	C-CARBON R	RN72K1J-272JE	1	435032724R1	
PCB2	R812	C-CARBON R	RN72K1J-103JE	1	435031034R1	
PCB2	R813	C-CARBON R	RN72K1J-103JE	1	435031034R1	
PCB2	R814	C-CARBON R	RN72K1J-000JE	1	435030004R1	
PCB2	R815	C-CARBON R	RN72K1J-471JE	1	435034714R1	
PCB2	R816	C-CARBON R	RN72K1J-471JE	1	435034714R1	
PCB2	R817	C-CARBON R	RN72K1J-221JE	1	435032214R1	
PCB2	R818	C-CARBON R	RN72K1J-471JE	1	435034714R1	
PCB2	R819	C-CARBON R	RN72K1J-101JE	1	435031014R1	
PCB2	R820	C-CARBON R	RN72K1J-105JE	1	435031054R1	
PCB2	R824	C-CARBON R	RN72K1J-471JE	1	435034714R1	
PCB2	R827	C-CARBON R	RN72K1J-103JE	1	435031034R1	
PCB2	R828	C-CARBON R	RN72K1J-103JE	1	435031034R1	
PCB2	R830	C-CARBON R	RN72K1J-000JE	1	435030004R1	
PCB2	R831	C-CARBON R	RN72K1J-101JE	1	435031014R1	
PCB2	R839	C-CARBON R	RN72K1J-223JE	1	435032234R1	
PCB2	R840	C-CARBON R	RN72K1J-391JE	1	435033914R1	
PCB2	R841	C-CARBON R	RN72K1J-471JE	1	435034714R1	
PCB2	R842	C-CARBON R	RN72K1J-821JE	1	435038214R1	
PCB2	R843	C-CARBON R	RN72K1J-102JE	1	435031024R1	
PCB2	R846	C-CARBON R	RN72K1J-391JE	1	435033914R1	
PCB2	R853	C-CARBON R	RN72K1J-391JE	1	435033914R1	
PCB2	R854	C-CARBON R	RN72K1J-471JE	1	435034714R1	
PCB2	R858	C-CARBON R	RN72K1J-101JE	1	435031014R1	
PCB2	R859	C-CARBON R	RN72K1J-101JE	1	435031014R1	
PCB2	R860	C-CARBON R	RN72K1J-332JE	1	435033324R1	
PCB2	R884	C-CARBON R	RN72K1J-563JE	1	435035634R1	
PCB2	R885	C-CARBON R	RN72K1J-563JE	1	435035634R1	
PCB2	R886	C-CARBON R	RN72K1J-331JE	1	435033314R1	
PCB2	R887	C-CARBON R	RN72K1J-331JE	1	435033314R1	
PCB2	R888	C-CARBON R	RN72K1J-473JE	1	435034734R1	
PCB2	R889	C-CARBON R	RN72K1J-473JE	1	435034734R1	
PCB2	R893	METAL O R	RS1/2WBJ-390	1	443523914T	
PCB2	R894	METAL O R	RS1/2WBJ-390	1	443523914T	
PCB2	R901	C-CARBON R	RN72K1J-333JE	1	435033334R1	
PCB2	R902	C-CARBON R	RN72K1J-153JE	1	435031534R1	
PCB2	RL901	RELAY	NRL-1P5A-DC9-179	1	25065669	!
PCB2	S801	R ENCODE	REB12305PVB-299-9092	1	25065688	
PCB2	S803	PUSH SW	NPS-111-S681	1	25035718T	
PCB2	S804	PUSH SW	NPS-111-S681	1	25035718T	
PCB2	S805	PUSH SW	NPS-111-S681	1	25035718T	
PCB2	S806	PUSH SW	NPS-111-S681	1	25035718T	
PCB2	S807	PUSH SW	NPS-111-S681	1	25035718T	
PCB2	S811	PUSH SW	NPS-111-S681	1	25035718T	
PCB2	S821	PUSH SW	NPS-111-S681	1	25035718T	
PCB2	S822	PUSH SW	NPS-111-S681	1	25035718T	
PCB2	S823	PUSH SW	NPS-111-S681	1	25035718T	
PCB2	P501	TRM	NTM-4PDMN384	1	25060455	<MPP>
PCB2	P501 or	TRM	NTM-4PDMN226	(1)	25060295	<MPP>
PCB2	P501	TRM	NTM-4PDMN384	1	25060455	<MGT>
PCB2	P501 or	TRM	NTM-4PDMN226	(1)	25060295	<MGT>

PCB2	P501	TRM	NTM-4PDMN384	1	25060455	<MDT>
PCB2	P501 or	TRM	NTM-4PDMN226	(1)	25060295	<MDT>
PCB2	P501	TRM	NTM-4PDMN384	1	25060455	<MGQ>
PCB2	P501 or	TRM	NTM-4PDMN226	(1)	25060295	<MGQ>
PCB2	P501	TRM	NTM-4PDMN384	1	25060455	<DAB MPB>
PCB2	P501 or	TRM	NTM-4PDMN226	(1)	25060295	<DAB MPB>
PCB2	P502	PIN JACK	NPJ-1PDBL382	1	25045567	<MPP>
PCB2	P502	PIN JACK	NPJ-1PDBL382	1	25045567	<MGT>
PCB2	P502	PIN JACK	NPJ-1PDBL382	1	25045567	<MDT>
PCB2	P502	PIN JACK	NPJ-1PDBL382	1	25045567	<MGQ>
PCB2	P502	PIN JACK	NPJ-1PDBL382	1	25045567	<DAB MPB>
PCB2	P504	TRM	NTM-4PDMN237	1	25060306	<MDC>
PCB2	P505	PIN JACK	NPJ-1PDBL382	1	25045567	<MDC>
PCB2	P7001A	SOCKET	NSCT-18P2436	1	25052539	
PCB2	P871	JACK	LGT1516-0101	1	25045396	
PCB2	P873	CRIMP AS	CRIMP AS	1	2067A12100	
PCB2	P874	CRIMP AS	CRIMP AS	1	2067A12100	
PCB2	P881	JACK	LGT1516-0101	1	25045396	
PCB2	P901A	AC INLET	YKE31-0129	1	25053195	!, <MPP>
PCB2	P901A	AC INLET	YKE31-0129	1	25053195	!, <MGT>
PCB2	P901A	AC INLET	YKE31-0129	1	25053195	!, <MGQ>
PCB2	P901A	AC INLET	YKE31-0129	1	25053195	!, <DAB MPB>
PCB2	P901B	AC INLET	YKE31-0130	1	25053196	!, <MDC>
PCB2	P901B	AC INLET	YKE31-0130	1	25053196	!, <MDT>
PCB2	P904	PLUG	NPLG-4P151	1	25055167	
PCB2	P921B	PLUG	NPLG-2P631	1	25055675	!
PCB2	F901A	FUSE HOL	NSCT-1P2031	1	25052133T	!
PCB2	F901B	FUSE HOL	NSCT-1P2031	1	25052133T	!
PCB2	F901C	FUSE LABEL	1.25A125V	1	29364667	!, <MDC>
PCB2	JL4101	JUMPER LEAD	JL7 100 B	1	---	NSP, <MPP>
PCB2	JL4101	JUMPER LEAD	JL7 100 B	1	---	NSP, <MDC>
PCB2	JL4101	JUMPER LEAD	JL7 100 B	1	---	NSP, <MGT>
PCB2	JL4101	JUMPER LEAD	JL7 100 B	1	---	NSP, <MDT>
PCB2	JL4101	JUMPER LEAD	JL7 100 B	1	---	NSP, <MGQ>
PCB2	JL4101A	WIRE HOL	NSCT-7P878	1	25051091	
PCB2	JL4101C	JUMPER LEAD	JL7 150 UL2651#24	1	7J150606B15	NSP, <DAB MPB>
PCB2	JL501	JUMPER LEAD	JL4 150 H	1	4J150606H	NSP
PCB2	JL501A	WIRE HOL	NSCT-4P895	1	25051108	
PCB2	JL501B	WIRE HOL	NSCT-4P895	1	25051108	<MPP>
PCB2	JL501B	WIRE HOL	NSCT-4P895	1	25051108	<MGT>
PCB2	JL501B	WIRE HOL	NSCT-4P895	1	25051108	<MDT>
PCB2	JL501B	WIRE HOL	NSCT-4P895	1	25051108	<MGQ>
PCB2	JL501B	WIRE HOL	NSCT-4P895	1	25051108	<DAB MPB>
PCB2	JL501C	WIRE HOL	NSCT-4P895	1	25051108	<MDC>
PCB2	JL502	JUMPER LEAD	JL 5 350 B	1	5J350606B15	NSP
PCB2	JL502A	WIRE HOL	NSCT-5P876	1	25051089	
PCB2	JL502B	WIRE TRAP	NPLG-5P588	1	25055626	<MPP>
PCB2	JL502B	WIRE TRAP	NPLG-5P588	1	25055626	<MGT>
PCB2	JL502B	WIRE TRAP	NPLG-5P588	1	25055626	<MDT>
PCB2	JL502B	WIRE TRAP	NPLG-5P588	1	25055626	<MGQ>
PCB2	JL502B	WIRE TRAP	NPLG-5P588	1	25055626	<DAB MPB>
PCB2	JL502C	WIRE TRAP	NPLG-5P588	1	25055626	<MDC>
PCB2	JL503	JUMPER LEAD	JL3 200 B	1	3J200606B15	NSP
PCB2	JL503A	WIRE HOL	NSCT-3P874	1	25051087	
PCB2	JL902A	WIRE HOL	NSCT-6P897	1	25051110	
PCB2	JL902B	JUMPER LEAD	JL6 05 H	1	6J050606H	NSP

CR-315/315DAB

**NOTE : THE COMPONENTS IDENTIFIED BY THE MARK
! ARE CRITICAL FOR RISK OF FIRE AND
ELECTRIC SHOCK. REPLACE ONLY WITH PART
NUMBER SPECIFIED.**

<Notes>

<MGT> : Asian model

<MDT>: Taiwanese model

<MGQ> : Hong kong model

PACKING PROCEDURE PARTS LIST CR-315 (S) MGT, MDT, MGQ

<Note>

CR-315(B) MPP,(S) MPP, MDC / CR-315DAB(S) MPB ----> Refer to service manual of "CS-315/315UK"

	REF. NO.	PART NAME	DESCRIPTION	Q'TY	PART NO. (SN)	REMARKS
PV	A503	PAD	(F & R / 1 set)	(1)	29092332A	
PV	A504	POLY BAG	POLY BAG (430 x 550)	1	29100123C	
PV	A505	TAPE	NITTO NO.29	1	29110149	
PV	A507	SHEET	---	1	29095906	
PV	A508	TAPE	SOP-400(CLEAR50MT)KO	1	29110071	
PV	A509	CARTON	CR-315(S)	1	29054572A	
PV	A511	EAN LABEL	---	1	29364552	
PV	A701	POLY BAG	350 x 200 x W250	1	29100201	
PV	A801	REMO CON	RC-660S	1	24140660	
PV	A803	BATTERY	R6/AA(UM-3)	2	3010194	
PV	A803 or	BATTERY	R6/AA(UM-3)	(2)	3010054	
PV	A805	INS MANUAL	En(CR-315)	1	29344258A	
PV	A806	INS MANUAL	Ct(CR-315)	1	29344261A	
PV	A810	FM ANT AS	Type W	1	292191	
PV	A811	ANT COIL	NMA-3057	1	232140	
PV	A817	WRNTY CARD	MGQ	1	29365099A	<MGQ>
PV	P905	AC CORD	AS-CEE	1	253299VOL	!, <MGT>
PV	P905	AC CORD	AC-UC-2	1	253296VOL	!, <MDT>
PV	P905	AC CORD	AS-BS	1	253354LTK	!, <MGQ>

ONKYO CORPORATION

Sales & Product Planning Div. : 2-1, Nisshin-cho, Neyagawa-shi, OSAKA 572-8540, JAPAN
Tel: 072-831-8023 Fax: 072-831-8124

ONKYO U.S.A. CORPORATION

18 Park Way, Upper Saddle River, N.J. 07458, U.S.A.
Tel: 201-785-2600 Fax: 201-785-2650 <http://www.us.onkyo.com/>

ONKYO EUROPE ELECTRONICS GmbH

Liegnitzerstrasse 6, 82194 Groebenzell, GERMANY
Tel: +49-8142-4401-0 Fax: +49-8142-4401-555 <http://www.eu.onkyo.com/>

ONKYO EUROPE UK Office

Suite 1, Gregories Court, Gregories Road, Beaconsfield, Buckinghamshire, HP9 1HQ
UNITED KINGDOM Tel: +44-(0)1494-681515 Fax: +44(0)-1494-680452

ONKYO CHINA LIMITED

Units 2102-2107, Metroplaza Tower I, 223 Hing Fong Road, Kwai Chung,
N.T., HONG KONG Tel: 852-2429-3118 Fax: 852-2428-9039
<http://www.ch.onkyo.com/>

