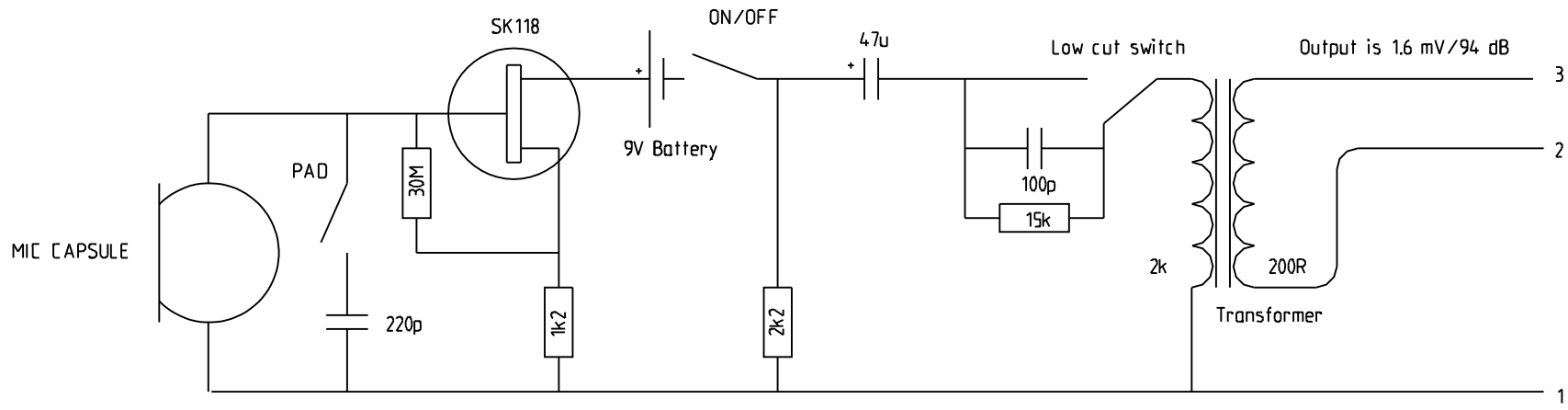


Nakamichi CM-300 Original Circuit Diagram



Nakamichi CM-300
revised circuit diagram for phantom
power as suggested by Stephen Sank

