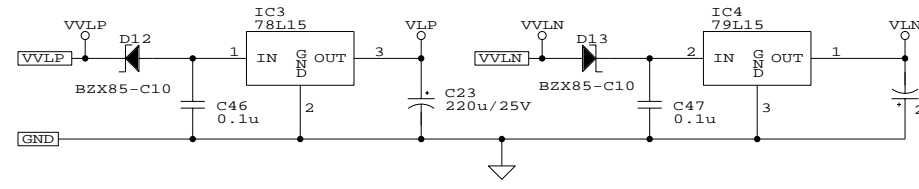
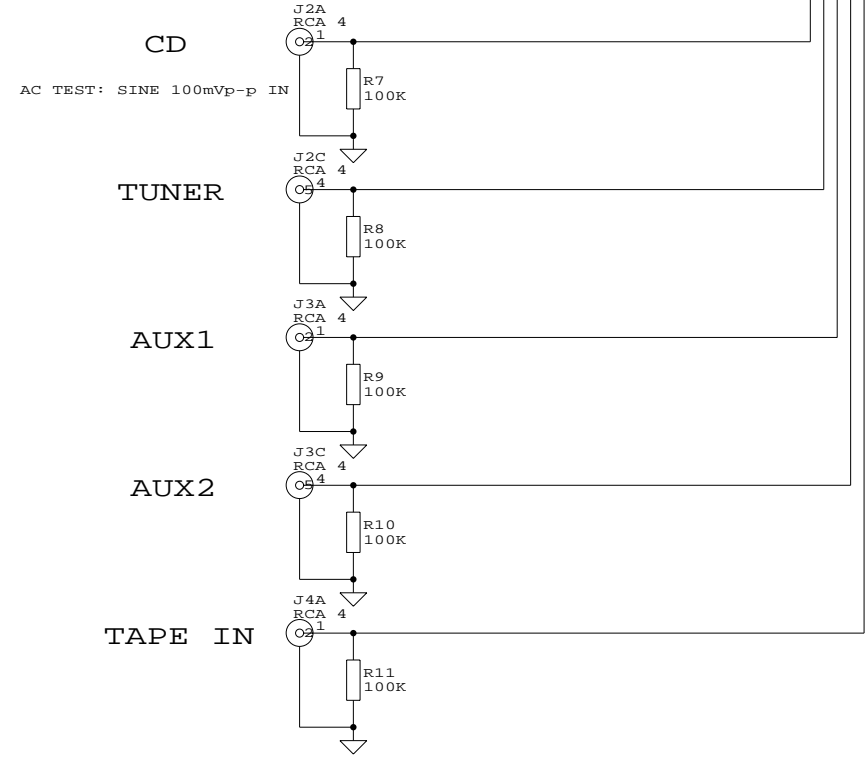
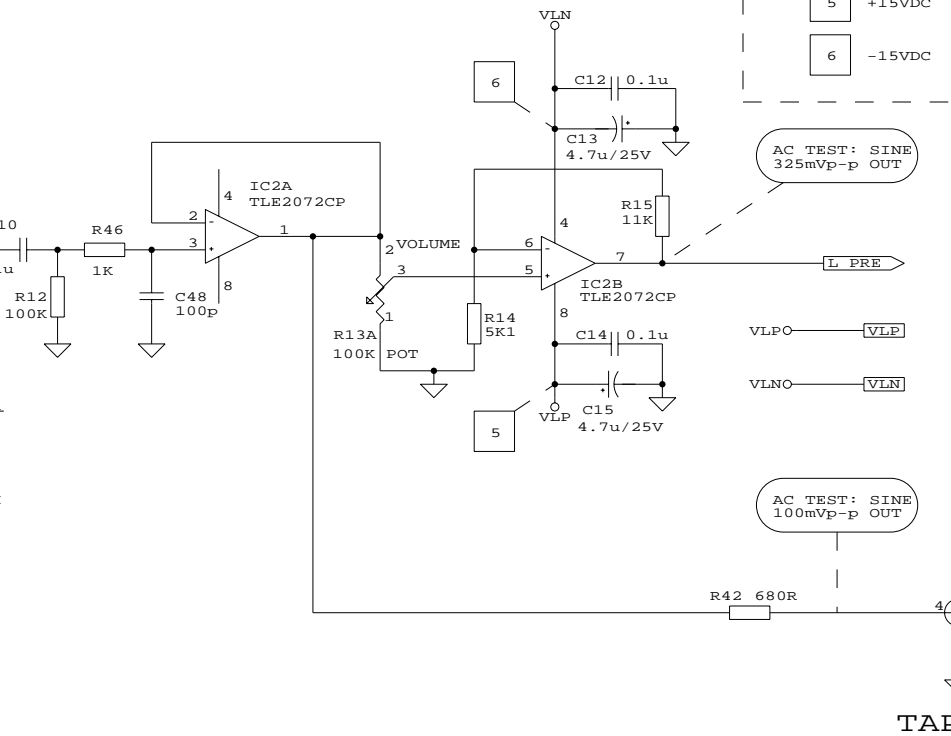
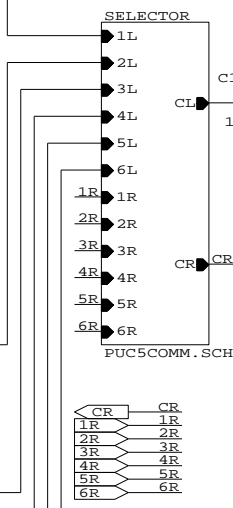
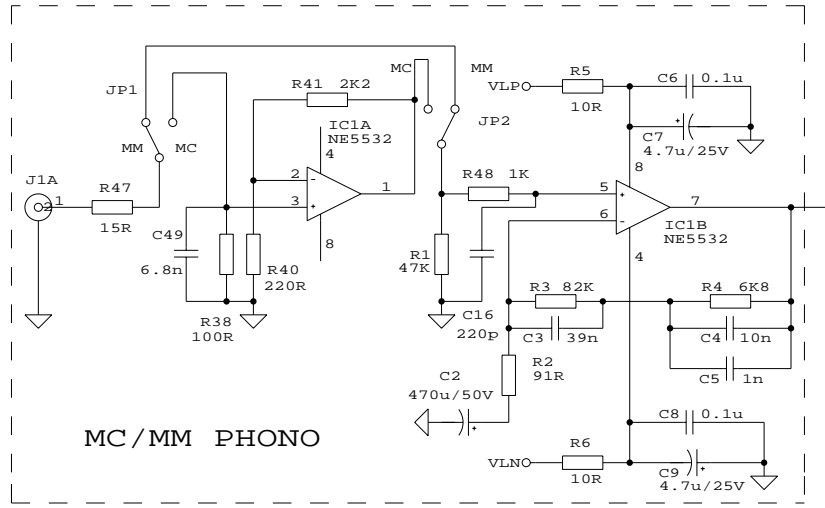


LEFT CHANNEL PRE-AMP

PCB REFERENCES

- 5 +15VDC
- 6 -15VDC



ALL RESISTORS ARE 0.25W 1% METAL FILM UNLESS OTHERWISE INDICATED

Federico Paoletti	
Title	PUCINI INTEGRATED AMP - LEFT PRE-
Size	Document Number
B	
Date:	March 24, 1999 Sheet 2 of 2