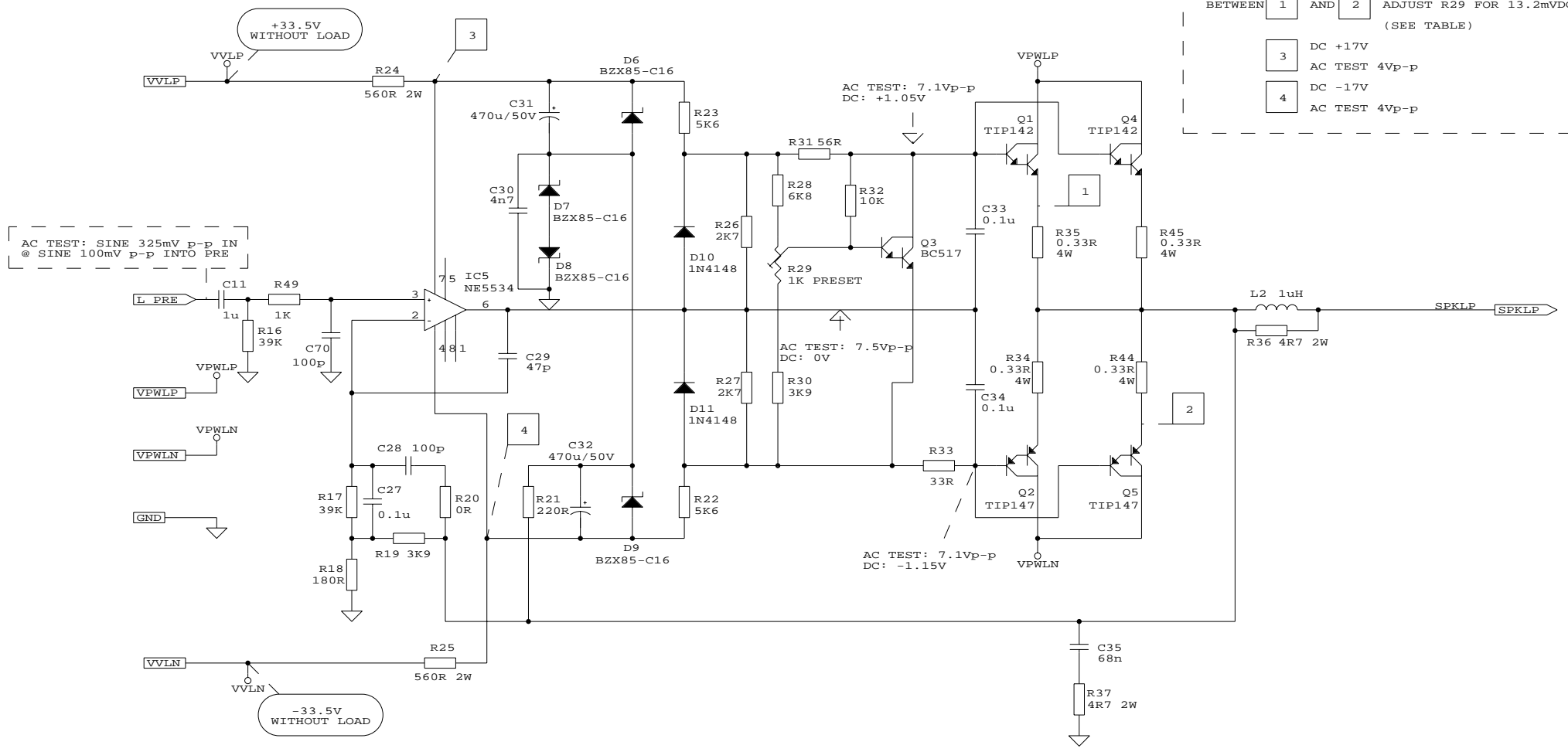


LEFT CHANNEL POWER AMP



ALL RESISTORS ARE 0.25W 1% METAL FILM UNLESS OTHERWISE INDICATED

Federico Paoletti	
Title	PUCCINI INTEGRATED AMP - LEFT POWER
Size	Document Number
B	
Date:	March 24, 1999 Sheet 3 of 3