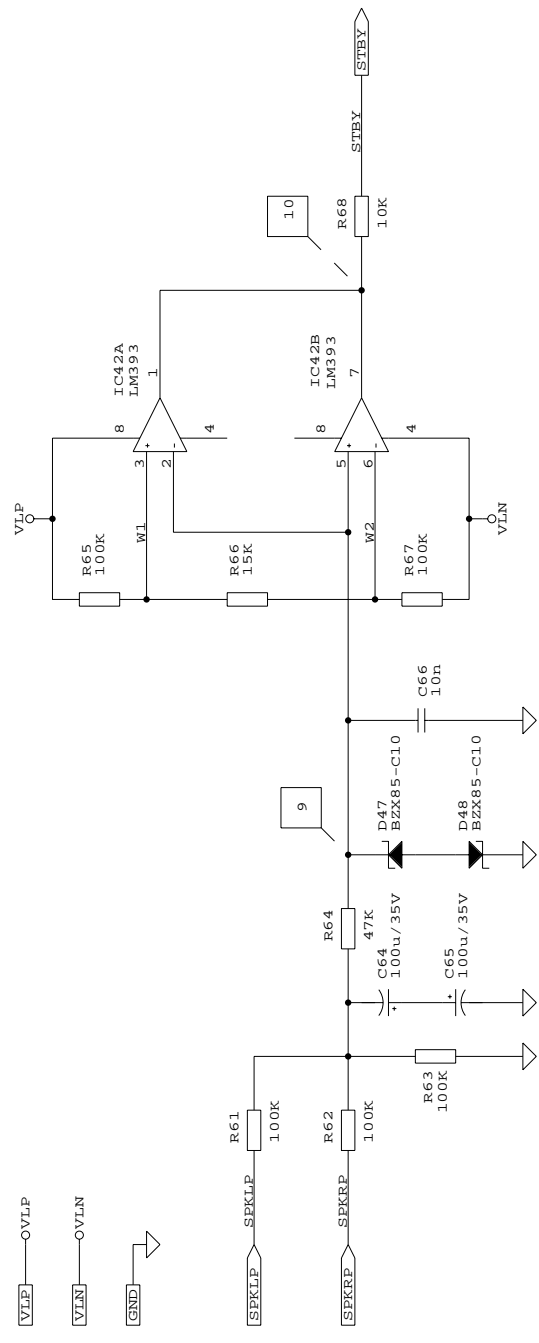


PCB REFERENCES

9

10

0V WHEN INACTIVE
 > +1VDC OR < -1VDC WHEN ACTIVE
 FLOATING WHEN INACTIVE
 0V WHEN ACTIVE



ALL RESISTORS ARE 0.25W 1% UNLESS OTHERWISE INDICATED

Federico Paoletti	
Title	PUCCINI INTEGRATED AMP - LS PROTEC
Size	Document Number
Date:	March 24, 1999
Sheet	7