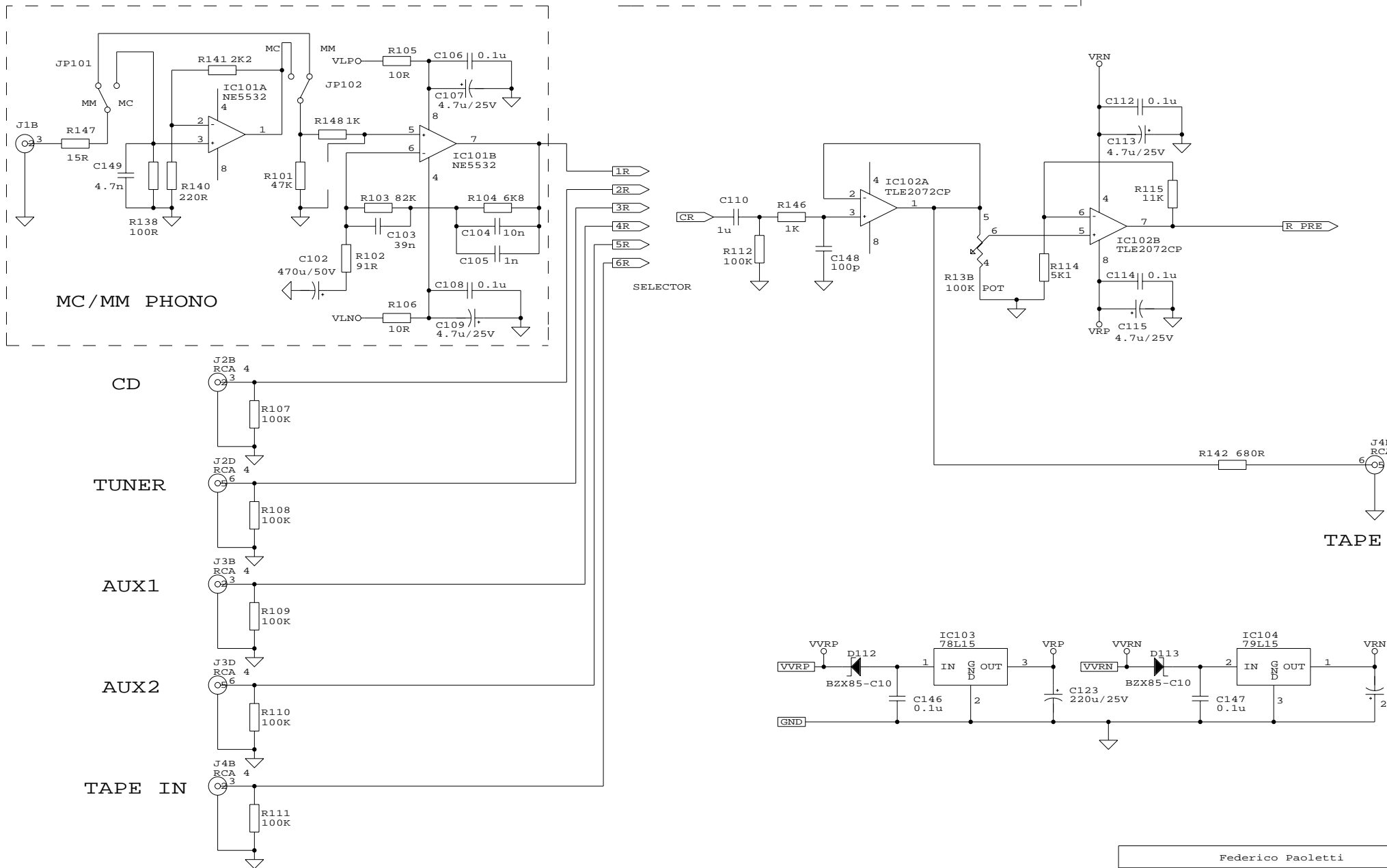


RIGHT CHANNEL PRE-AMP



ALL RESISTORS ARE 0.25W 1% METAL FILM UNLESS OTHERWISE INDICATED

Federico Paoletti	
Title	PUCCHINI INTEGRATED AMP - RIGHT PRE
Size	Document Number
B	
Date:	March 24, 1999 Sheet 4 of 4