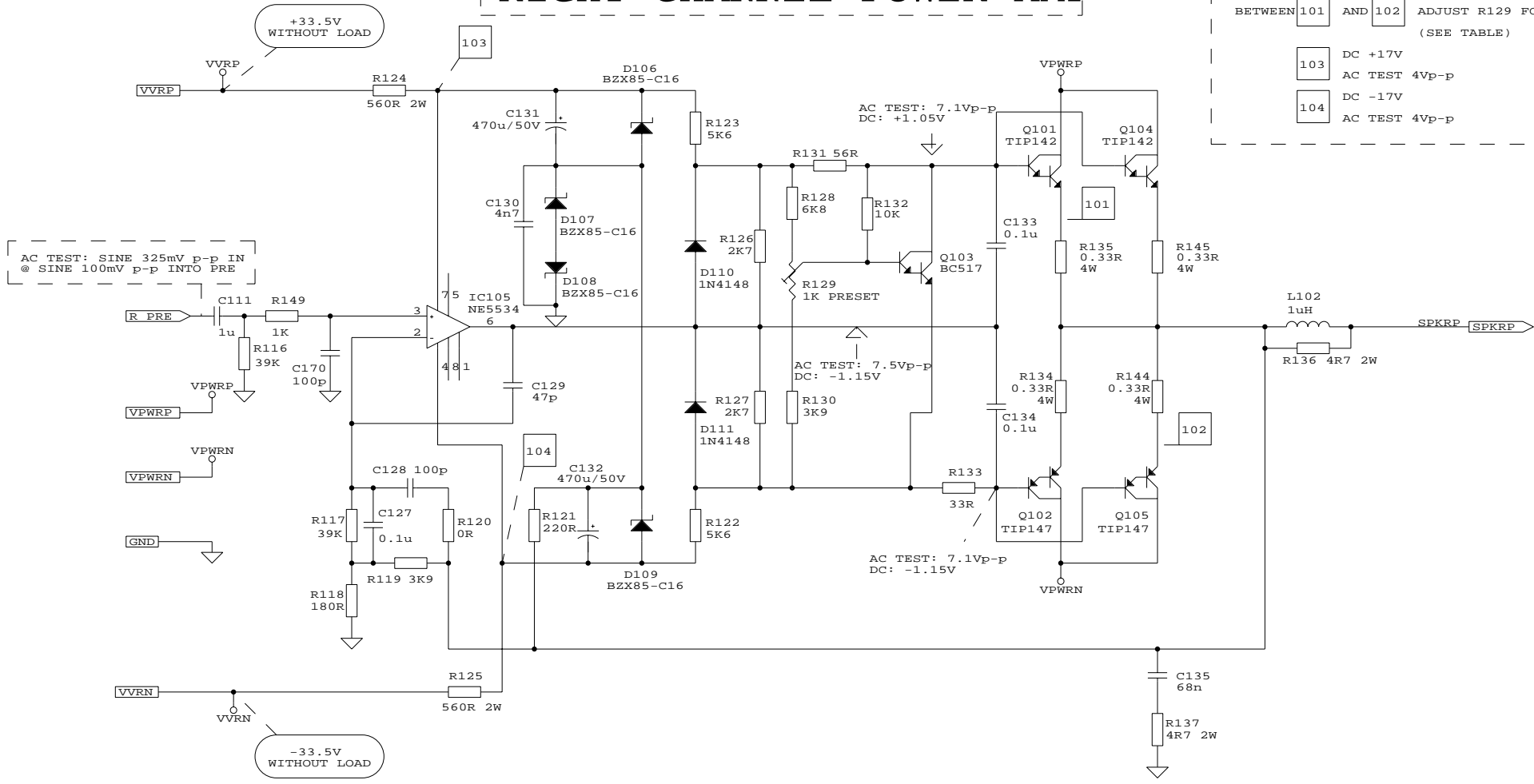


RIGHT CHANNEL POWER AMP



PCB REFERENCES		
BETWEEN	101 AND 102	ADJUST R129 FOR 13.2mVDC (SEE TABLE)
	103	DC +17V
		AC TEST 4Vp-p
		DC -17V
	104	AC TEST 4Vp-p

ALL RESISTORS ARE 0.25W 1% METAL FILM UNLESS OTHERWISE INDICATED

Federico Paoletti	
Title	PUCCHINI INTEGRATED AMP - RIGHT POWER
Size	Document Number
B	
Date:	March 24, 1999 Sheet 5 of 5